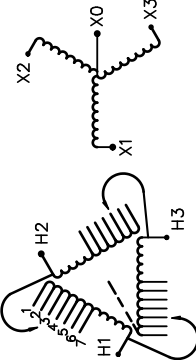




FOR APPROVAL ONLY

- MADE IN USA

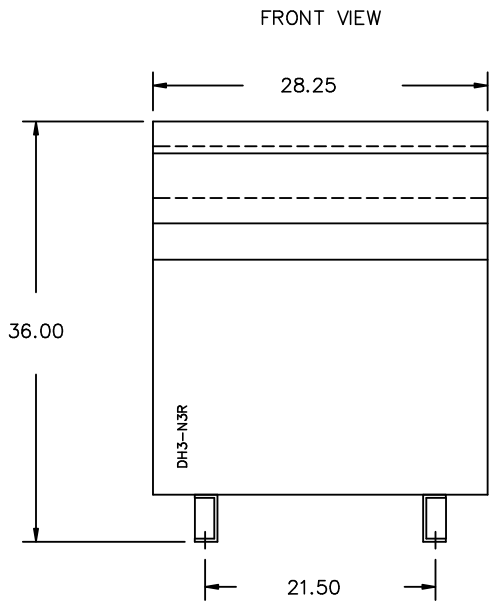
SIEMENS

<p>CATALOG NO. 3F3Y112K4FCD16BA SERIAL NO. SERIES H 112.5 kVA 60 Hz 3 PHASE 3.4 % IMP AT 135 °C</p>	 <p style="text-align: center;">VOLTS CONNECT</p> <table style="margin-left: auto; margin-right: auto;"> <tr><td>504</td><td>1</td></tr> <tr><td>492</td><td>2</td></tr> <tr><td>480</td><td>3</td></tr> <tr><td>468</td><td>4</td></tr> <tr><td>456</td><td>5</td></tr> <tr><td>444</td><td>6</td></tr> <tr><td>432</td><td>7</td></tr> </table>	504	1	492	2	480	3	468	4	456	5	444	6	432	7	<p style="text-align: center;">TYPE K</p> <div style="display: flex; justify-content: space-around;">   </div> <p style="text-align: center;">DRY TYPE TRANSFORMER 7715 E112313 LR 3902</p> <p>SEISMIC QUALIFICATIONS, FLOOR MOUNT ONLY OSP-0136-10 IBC 2012/ASCE 7-10 SDS<=2.0g z/h=1 Ip=1.5</p>
504	1															
492	2															
480	3															
468	4															
456	5															
444	6															
432	7															
<p>115 °C RISE 30 °C AVG. AMBIENT 220 °C TEMP CLASS 40 °C MAX. AMBIENT</p> <p>PRIMARY (H1 H2 H3) 480 V 10 kV BIL SECONDARY(X0 X1 X2 X3) 208Y/120 V 10 kV BIL</p> <p>WINDING MATERIAL CU</p> <p>ENCLOSURE TYPE 3R WEIGHT 835 LBS</p> <p>ENERGY EFFICIENCY EXCEEDS CSA DOE 10 CFR PART 431:2016 C802.2-2012</p> <p>SPACINGS BETWEEN ANY VENTILATED ENCLOSURE PANEL AND ANY ADJACENT WALL SHALL BE A MINIMUM OF 5 INCHES EXCEPT WHEN WALL MOUNTED USING APPROVED WALL MOUNTING KIT ELECTROSTATIC SHIELD</p> <p>SUITABLE FOR NONSINUSOIDAL CURRENT LOAD WITH K-FACTOR NOT TO EXCEED K-4 SUITABLE FOR INDOOR OR OUTDOOR LOCATIONS BEFORE HANDLING, INSTALLING AND OPERATING; SEE INSTRUCTION MANUAL</p> <p>NEMA Class ANN Dry Type Transformer Siemens Industry, Inc. Norcross, GA 68u087e</p>	<p>3F3Y112K4FCD16BA</p>															

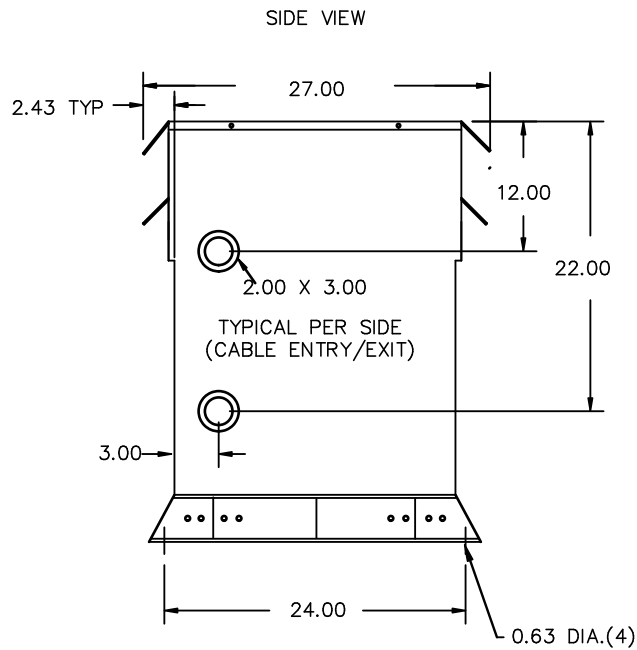
REVISION	DATE	BY	DATE	BY
			17/03/15	GP

Confidential - Property of Siemens Industry, Inc.	
CUSTOMER	
ORDER NO.	DWG. NO.
	3F3Y112K4FCD16BA SH 1 OF 3

FOR APPROVAL ONLY



All Dimensions in inches



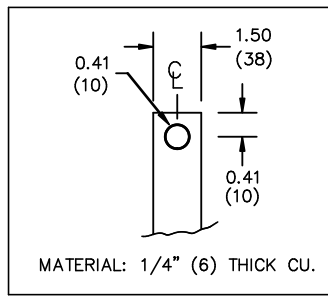
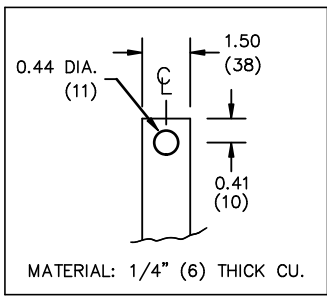
ENCLOSURE COLOR :ANSI 61 GREY – OUTDOOR

HV TERMINAL DETAIL

LV TERMINAL DETAIL

X0 TERMINAL DETAIL

MECHANICAL TYPE LUGS INCLUDED
SUITABLE FOR 250MCM-6 CU/AL
CONDUCTORS
1 CONDUCTOR PER PHASE



CUSTOMER NOTES:

- HV TERMINATED AT TOP FRONT
- LV TERMINATED AT BOTTOM FRONT
- X0 TERMINATED AT BOTTOM FRONT
- 200% RATED NEUTRAL PROVIDED

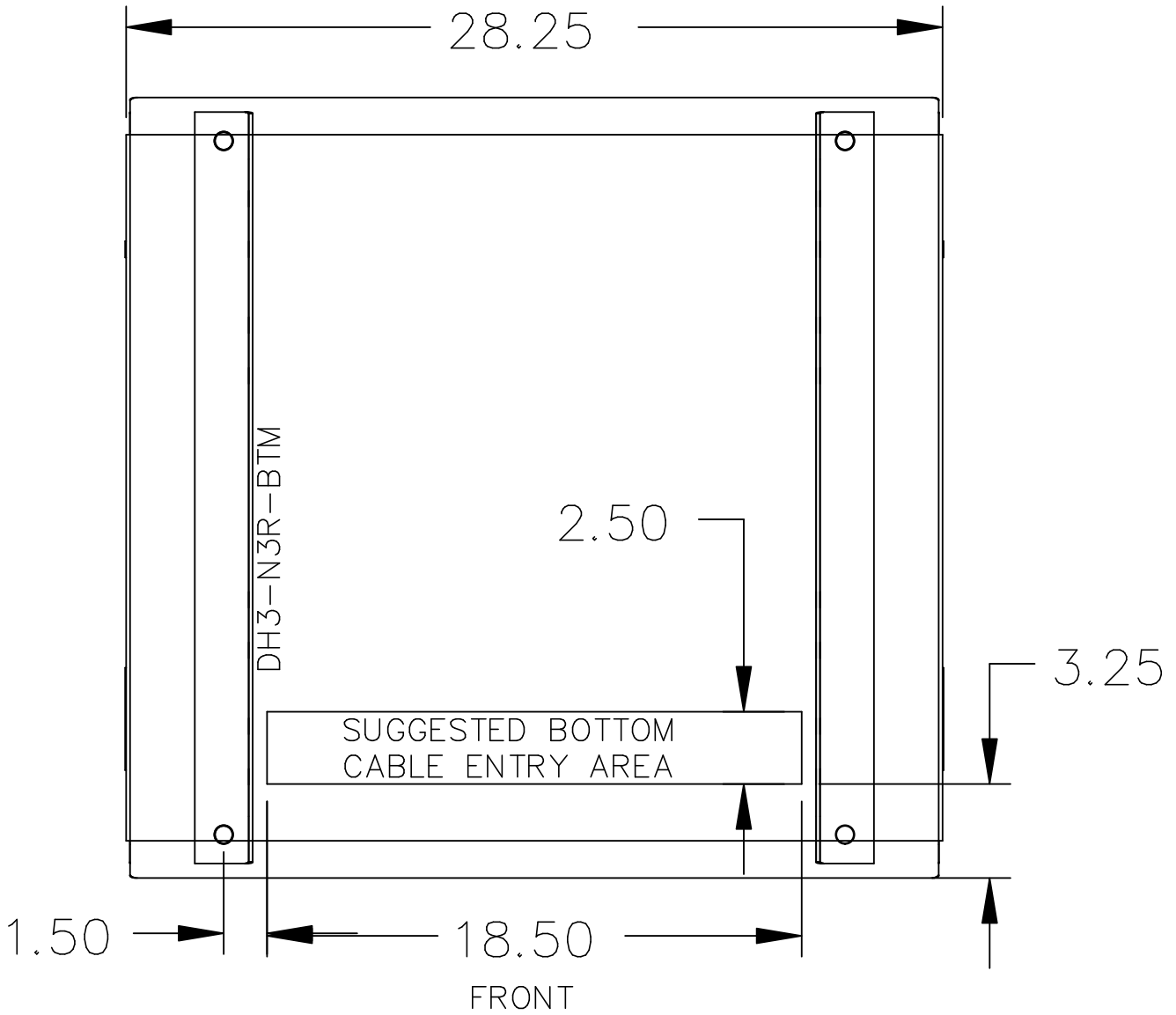
Confidential – Property of
Siemens Industry, Inc.

REVISION	DATE	BY	DATE	BY
			17/03/15	GP

CUSTOMER	
ORDER NO.	DWG. NO.
	3F3Y112K4FCD16BA SH 2 OF 3

0.0 gpatel 2017/03/15 12:16

FOR APPROVAL ONLY



NOTE:
 WHEN BOTTOM CABLE ENTRY IS OPTED, THE SPACE USED FOR CONDUITS IN THE FRONT OF THE TRANSFORMER SHOULD NOT OBSTRUCT MORE THAN 50% OF THE FRONT AIR INTAKE AREA DEFINED BETWEEN THE BOTTOM PLATE AND THE SUPPORTING LEGS.
 SEE MANUAL FOR ADDITIONAL INFORMATION

Confidential - Property of
 Siemens Industry, Inc.

REVISION	DATE	BY	DATE	BY
			17/03/15	GP

CUSTOMER	
ORDER NO.	DWG. NO.
	3F3Y112K4FCD16BA SH 3 OF 3

0.0 gpatel 2017/03/15 12:16