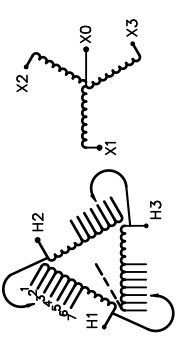




REVISION	DATE	BY	DATE	BY
		DRAWN	04/03/23	JW
		CHEK'D		
		VERIF'D		

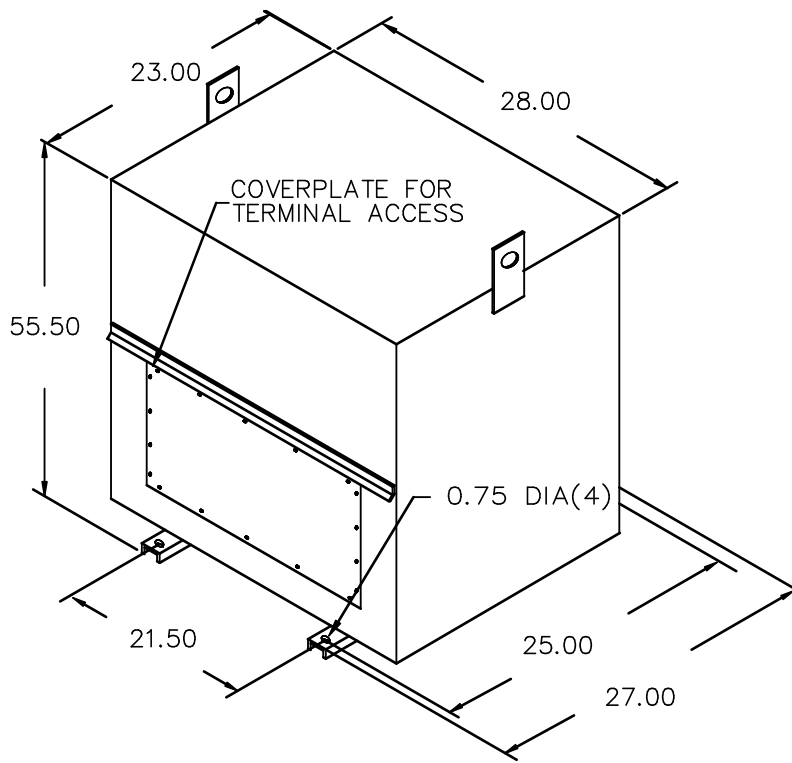
Confidential – Property of Siemens Industry, Inc. Building Technologies Division	
CUSTOMER	
ORDER NO.	DWG. NO.
	3F3Y045CTE
	SH 1 OF 2

SIEMENS

<p>CATALOG NO. 3F3Y045CTE</p> <p>SERIAL NO. SERIES H</p> <p>45 kVA 60 Hz 3 PHASE</p> <p>2.9 % IMP AT 170 °C</p> <p>150 °C RISE 30 °C AVG. AMBIENT</p> <p>220 °C TEMP CLASS 40 °C MAX. AMBIENT</p> <p>PRIMARY (H1 H2 H3) 480V V</p> <p>SECONDARY(X0 X1 X2 X3) 208Y/120 V</p> <p>WINDING MATERIAL CU</p> <p>ENCLOSURE TYPE NEMA-4</p> <p>WEIGHT 755 LBS</p> <p>SPACINGS BETWEEN ENCLOSURE AND ANY ADJACENT WALL SHALL BE A MINIMUM OF 3 INCHES</p> <p style="text-align: center;">DO NOT INSTALL IN AREAS ACCESSIBLE TO PUBLIC NE PAS INSTALLER DANS DES ENDROITS ACCESSIBLES AU PUBLIC SUITABLE FOR INDOOR OR OUTDOOR LOCATIONS BEFORE HANDLING, INSTALLING AND OPERATING, SEE INSTRUCTION MANUAL</p> <p>NEMA ClassANC Dry Type Transformer Siemens Industry, Inc. Norcross, GA</p>	 <p>VOLTS CONNECT</p> <table style="width: 100%;"> <tr><td>504</td><td>1</td></tr> <tr><td>492</td><td>2</td></tr> <tr><td>480</td><td>3</td></tr> <tr><td>468</td><td>4</td></tr> <tr><td>456</td><td>5</td></tr> <tr><td>444</td><td>6</td></tr> <tr><td>432</td><td>7</td></tr> </table> <p>TYPE KN</p> <p>DRY TYPE TRANSFORMER 771US E112313</p> <p> LISTED  LR 3902</p>	504	1	492	2	480	3	468	4	456	5	444	6	432	7
504	1														
492	2														
480	3														
468	4														
456	5														
444	6														
432	7														



3F3Y045CTE



All Dimensions in inches

ENCLOSURE COLOR ANSI 61 GREY – OUTDOOR

H.V.1. TERMINAL DETAIL

L.V.1. TERMINAL DETAIL

MECHANICAL TYPE LUGS INCLUDED
SUITABLE FOR #2/0-6 CU/AL
CONDUCTORS
1 CONDUCTOR PER PHASE

MECHANICAL TYPE LUGS INCLUDED
SUITABLE FOR 600MCM-2 CU/AL
CONDUCTORS
1 CONDUCTOR PER PHASE

CUSTOMER NOTES:

- HV1 TERMINATED AT TOP FRONT
- LV1 TERMINATED AT BOTTOM FRONT

Confidential – Property of
Siemens Industry, Inc.
Building Technologies Division

REVISION	DATE	BY	DATE	BY
		DRAWN	04/03/23	JW
		CHEK'D		
		VERIF'D		

CUSTOMER

ORDER NO.

DWG. NO.

3F3Y045CTE

SH 2 OF 2

0.2 gpatel 2013/05/22 2:35:06