

FOR APPROVAL ONLY

- MADE IN USA

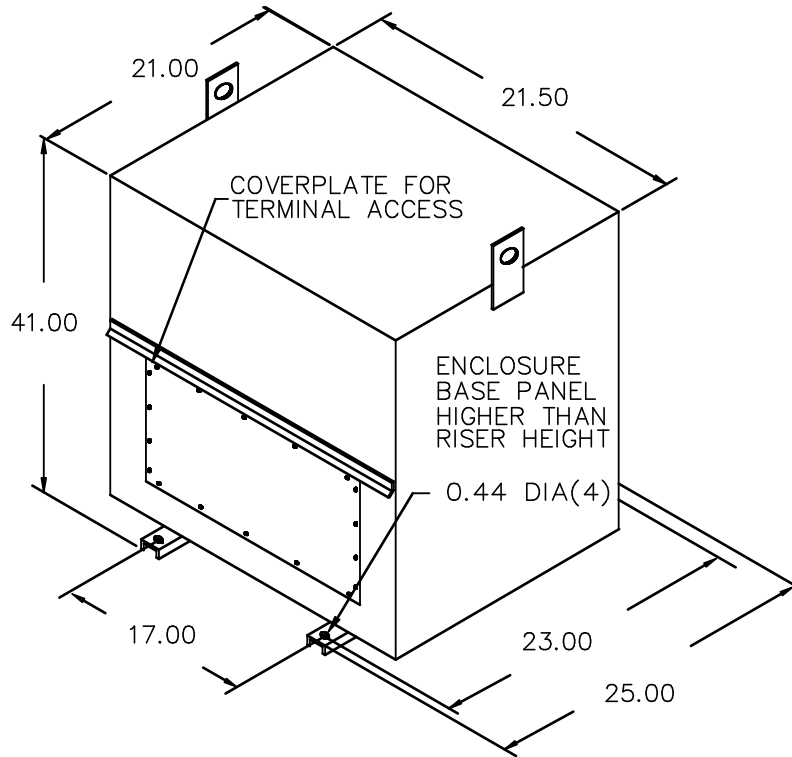


<h1>SIEMENS</h1>																		
CATALOG NO. 3F3Y015BSSN4XBA SERIAL NO. SERIES H 15 kVA 60 Hz 3 PHASE 3.6 % IMP AT 100 °C		<table border="1" style="width: 100%; border-collapse: collapse;"> <tr> <td style="width: 50%;">VOLTS</td> <td style="width: 50%;">CONNECT</td> </tr> <tr> <td>504</td> <td>1</td> </tr> <tr> <td>492</td> <td>2</td> </tr> <tr> <td>480</td> <td>3</td> </tr> <tr> <td>468</td> <td>4</td> </tr> <tr> <td>456</td> <td>5</td> </tr> <tr> <td>444</td> <td>6</td> </tr> <tr> <td>432</td> <td>7</td> </tr> </table>	VOLTS	CONNECT	504	1	492	2	480	3	468	4	456	5	444	6	432	7
VOLTS	CONNECT																	
504	1																	
492	2																	
480	3																	
468	4																	
456	5																	
444	6																	
432	7																	
80 °C RISE 30 °C AVG. AMBIENT 220 °C TEMP CLASS 40 °C MAX. AMBIENT PRIMARY (H1 H2 H3) 480 V SECONDARY(X0 X1 X2 X3) 208Y/120 V WINDING MATERIAL AL ENCLOSURE TYPE 4X WEIGHT 320 LBS		TYPE KN DRY TYPE TRANSFORMER 77U5 E112313 																
SPACINGS BETWEEN ANY VENTILATED ENCLOSURE PANEL AND ANY ADJACENT WALL SHALL BE A MINIMUM OF 3 INCHES		SUITABLE FOR INDOOR OR OUTDOOR LOCATIONS BEFORE HANDLING, INSTALLING AND OPERATING, SEE INSTRUCTION MANUAL NEMA Class ANC Dry Type Transformer Siemens Industry, Inc. Norcross, GA																

REVISION	DATE	BY	DATE	BY
			17/02/28	GP

Confidential - Property of Siemens Industry, Inc.	
CUSTOMER	
ORDER NO.	DWG. NO.
	3F3Y015BSSN4XBA SH 1 OF 2

FOR APPROVAL ONLY



All Dimensions in inches

ENCLOSURE COLOR :304 STAINLESS STEEL #4 FINISH

HV TERMINAL DETAIL

LV TERMINAL DETAIL

MECHANICAL TYPE LUGS INCLUDED
SUITABLE FOR #14-2 CU/AL
CONDUCTORS
1 CONDUCTOR PER PHASE

MECHANICAL TYPE LUGS INCLUDED
SUITABLE FOR #14-2 CU/AL
CONDUCTORS
1 CONDUCTOR PER PHASE

CUSTOMER NOTES:

- HV TERMINATED AT TOP FRONT
- LV TERMINATED AT BOTTOM FRONT

Confidential - Property of
Siemens Industry, Inc.

REVISION	DATE	BY	DATE	BY
			17/02/28	GP

CUSTOMER	
ORDER NO.	DWG. NO.
	3F3Y015BSSN4XBA SH 2 OF 2

0.0 gpatel 2017/02/28 17:44