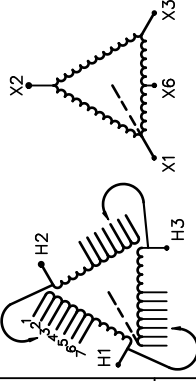




FOR APPROVAL ONLY

- MADE IN USA

SIEMENS

| | | |
|--|---|--|
| CATALOG NO. 3F1Y015K4FCD16BA SERIAL NO. SERIES H 15 kVA 60 Hz 3 PHASE 4 % IMP AT 135 °C | |  <p>VOLTS CONNECT</p> <p>504 492 480 468 456 444 432</p> <p>1 2 3 4 5 6 7</p> |
| 115 °C RISE 30 °C AVG. AMBIENT 220 °C TEMP CLASS 40 °C MAX. AMBIENT | PRIMARY (H1 H2 H3) 480 V 10 kV BIL SECONDARY(X1 X2 X3) 240 V 10 kV BIL | WINDING MATERIAL CU ENCLOSURE TYPE 3R WEIGHT 200 LBS ENERGY EFFICIENCY EXCEEDS CSA DOE 10 CFR PART 431:2016 C802.2-2012 |
| SPACINGS BETWEEN ANY VENTILATED ENCLOSURE PANEL AND ANY ADJACENT WALL SHALL BE A MINIMUM OF 3 INCHES X6=120V CT, 5% OF KVA RATING MAXIMUM ELECTROSTATIC SHIELD | | |
| SUITABLE FOR NONSINUSOIDAL CURRENT LOAD WITH K-FACTOR NOT TO EXCEED K-4 SUITABLE FOR INDOOR OR OUTDOOR LOCATIONS BEFORE HANDLING, INSTALLING AND OPERATING, SEE INSTRUCTION MANUAL NEMA Class ANN Dry Type Transformer Siemens Industry, Inc. Norcross, GA 68u0087e | | |
| | | TYPE K   |

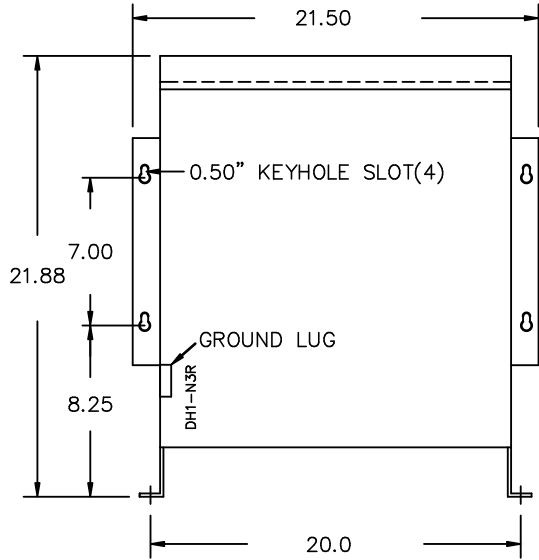


| REVISION | DATE | BY | DATE | BY |
|----------|------|---------|----------|----|
| | | DRAWN | 17/02/27 | GP |
| | | CHEK'D | | |
| | | VERIF'D | | |

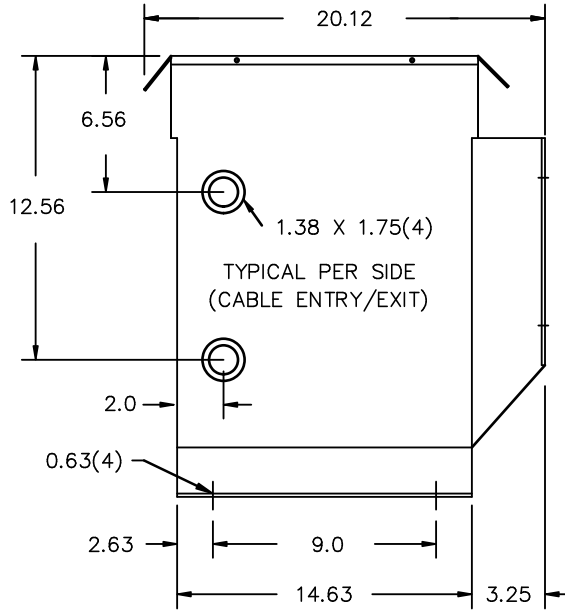
| | |
|---|----------------------------|
| Confidential - Property of Siemens Industry, Inc. | |
| CUSTOMER | |
| ORDER NO. | DWG. NO. |
| | 3F1Y015K4FCD16BA SH 1 OF 3 |

FOR APPROVAL ONLY

FRONT VIEW



SIDE VIEW



All Dimensions in inches

ENCLOSURE COLOR : ANSI-61 GREY PAINT OUTDOOR

HV TERMINAL DETAIL

LV TERMINAL DETAIL

MECHANICAL TYPE LUGS INCLUDED
SUITABLE FOR #14-2 CU/AL
CONDUCTORS
1 CONDUCTOR PER PHASE

MECHANICAL TYPE LUGS INCLUDED
SUITABLE FOR #14-2 CU/AL
CONDUCTORS
1 CONDUCTOR PER PHASE

CUSTOMER NOTES:

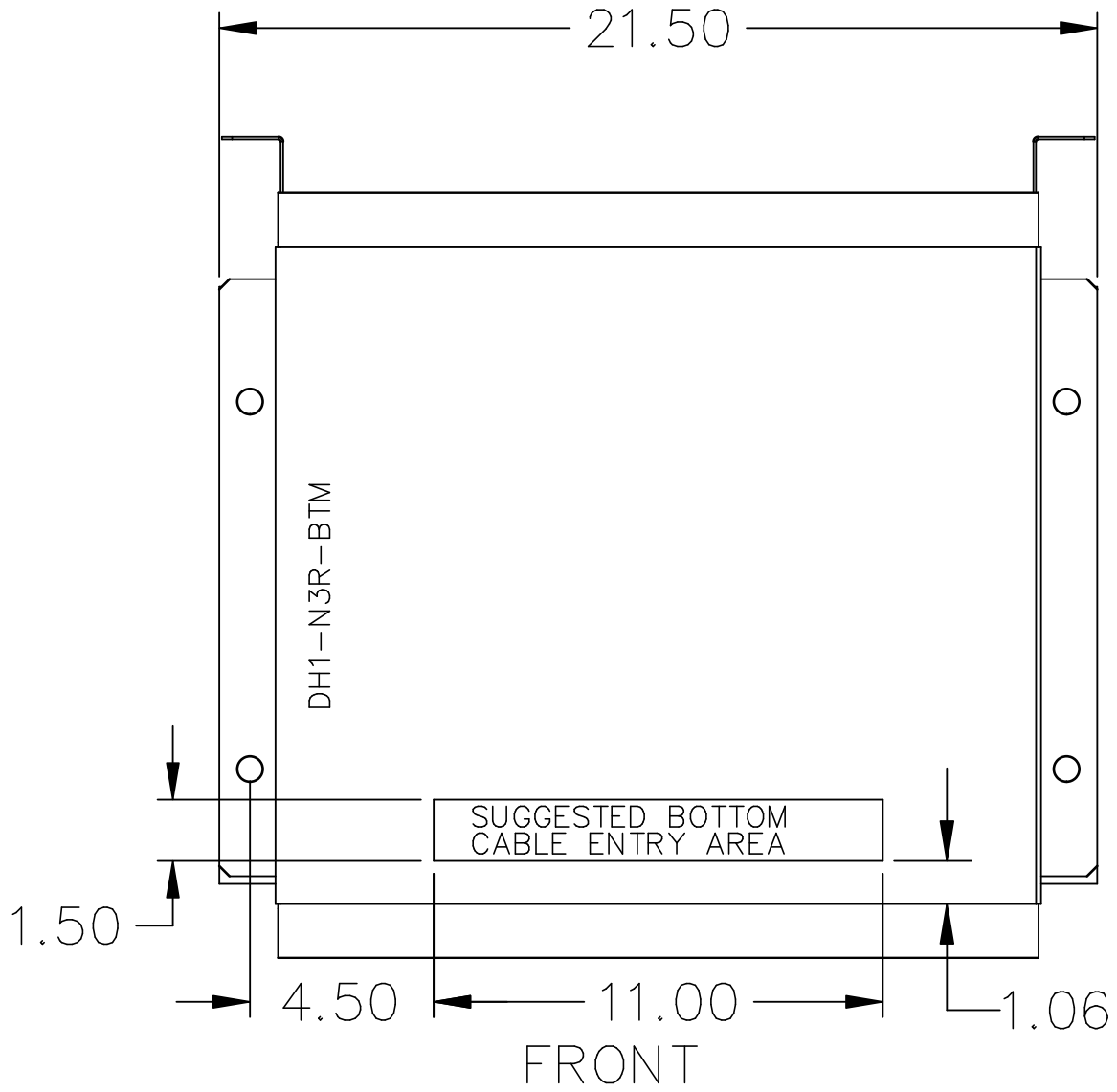
- HV TERMINATED AT TOP FRONT
- LV TERMINATED AT BOTTOM FRONT

Confidential - Property of
Siemens Industry, Inc.

| REVISION | DATE | BY | DATE | BY |
|----------|------|---------|----------|----|
| | | DRAWN | 17/02/27 | GP |
| | | CHEK'D | | |
| | | VERIF'D | | |

| | |
|-----------|--|
| CUSTOMER | |
| ORDER NO. | DWG. NO. 3F1Y015K4FCD16BA SH 2 OF 3 |

FOR APPROVAL ONLY



NOTE:
 WHEN BOTTOM CABLE ENTRY IS OPTED, THE SPACE USED FOR CONDUITS IN THE FRONT OF THE TRANSFORMER SHOULD NOT OBSTRUCT MORE THAN 50% OF THE FRONT AIR INTAKE AREA DEFINED BETWEEN THE BOTTOM PLATE AND THE SUPPORTING LEGS.
 SEE MANUAL FOR ADDITIONAL INFORMATION

Confidential - Property of
 Siemens Industry, Inc.

| REVISION | DATE | BY | DATE | BY |
|----------|------|----|----------|----|
| | | | 17/02/27 | GP |
| | | | | |
| | | | | |

| | |
|-----------|----------------------------|
| CUSTOMER | |
| ORDER NO. | DWG. NO. |
| | 3F1Y015K4FCD16BA SH 3 OF 3 |

0.0 gpatel 2017/02/27 12:50