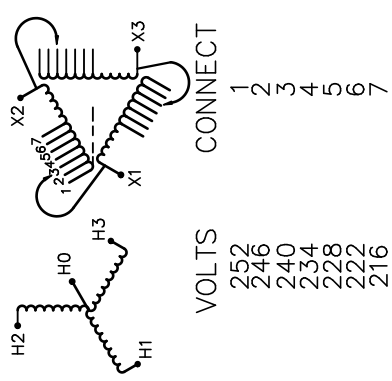

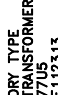



FOR APPROVAL ONLY

- MADE IN USA

# SIEMENS

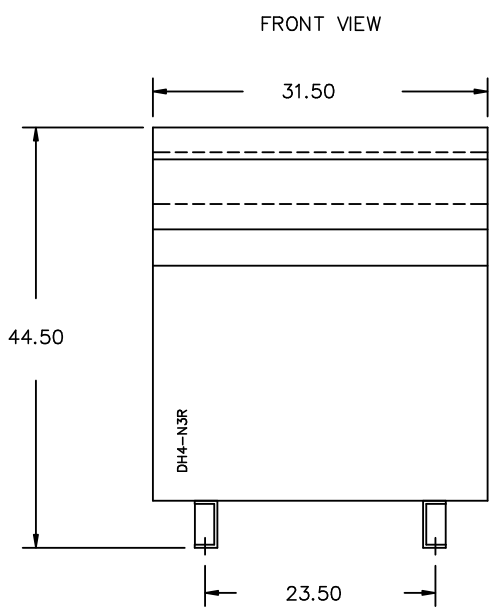
CATALOG NO. 3C5Y150FCD16BA SERIAL NO. SERIES H 150 kVA 60 Hz 3 PHASE 3 % IMP AT 135 °C 115 °C RISE 30 °C AVG. AMBIENT 220 °C TEMP CLASS 40 °C MAX. AMBIENT PRIMARY ( X1 X2 X3 ) 240 V 10 kV BIL SECONDARY( H0 H1 H2 H3 ) 480Y/277 V 10 kV BIL WINDING MATERIAL CU ENCLOSURE TYPE 3R WEIGHT 1100 LBS ENERGY EFFICIENCY EXCEEDS CSA C802.2-2012 DOE 10 CFR PART 431:2016	 <p style="text-align: center;">VOLTS CONNECT</p> <p>252 1 246 2 240 3 234 4 228 5 222 6 216 7</p>	<p style="text-align: center;">TYPE K</p> <p style="text-align: center;">                    LISTED                  E112313 LR 3902             </p> <p style="font-size: small;">SEISMIC QUALIFICATIONS, FLOOR MOUNT ONLY                  OSP-0136-10 IBC 2012/ASCE 7-10                  SDS&lt;=2.0g z/h=1 Ip=1.5</p>
SPACINGS BETWEEN ANY VENTILATED ENCLOSURE PANEL AND ANY ADJACENT WALL SHALL BE A MINIMUM OF 5 INCHES EXCEPT WHEN WALL MOUNTED USING APPROVED WALL MOUNTING KIT TRANSFORMER SUITABLE FOR STEP UP OPERATION ONLY		
SUITABLE FOR INDOOR OR OUTDOOR LOCATIONS BEFORE HANDLING, INSTALLING AND OPERATING; SEE INSTRUCTION MANUAL NEMA Class ANN Dry Type Transformer Siemens Industry, Inc. Norcross, GA <small>dsu0086e1</small>		



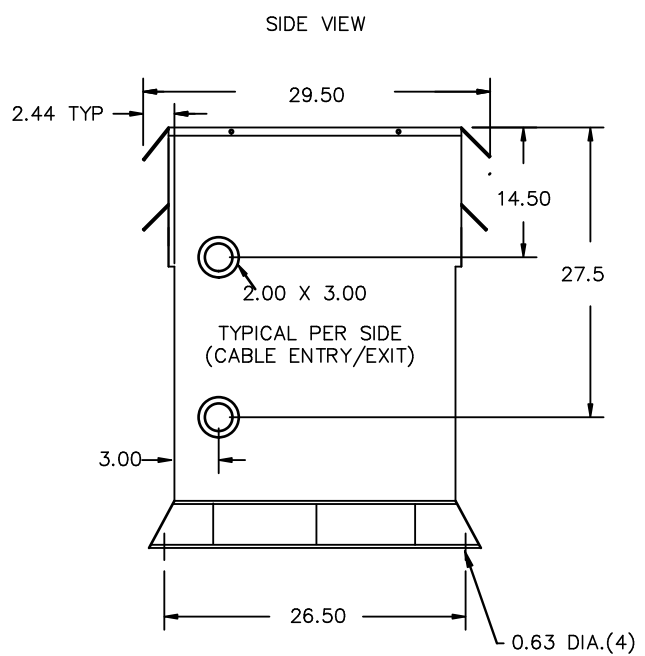
REVISION	DATE	BY	DATE	BY
			17/02/15	GP
		CHEK'D		
		VERIF'D		

Confidential - Property of <b>Siemens Industry, Inc.</b>	
CUSTOMER	
ORDER NO.	DWG. NO.
	3C5Y150FCD16BA
	SH 1 OF 3

FOR APPROVAL ONLY



All Dimensions in inches

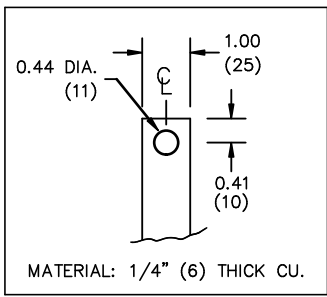


ENCLOSURE COLOR :ANSI 61 GREY – OUTDOOR

HV TERMINAL DETAIL

LV TERMINAL DETAIL

MECHANICAL TYPE LUGS INCLUDED  
SUITABLE FOR 350MCM-6 CU/AL  
CONDUCTORS  
1 CONDUCTOR PER PHASE



CUSTOMER NOTES:

- HV TERMINATED AT BOTTOM FRONT
- LV TERMINATED AT TOP FRONT

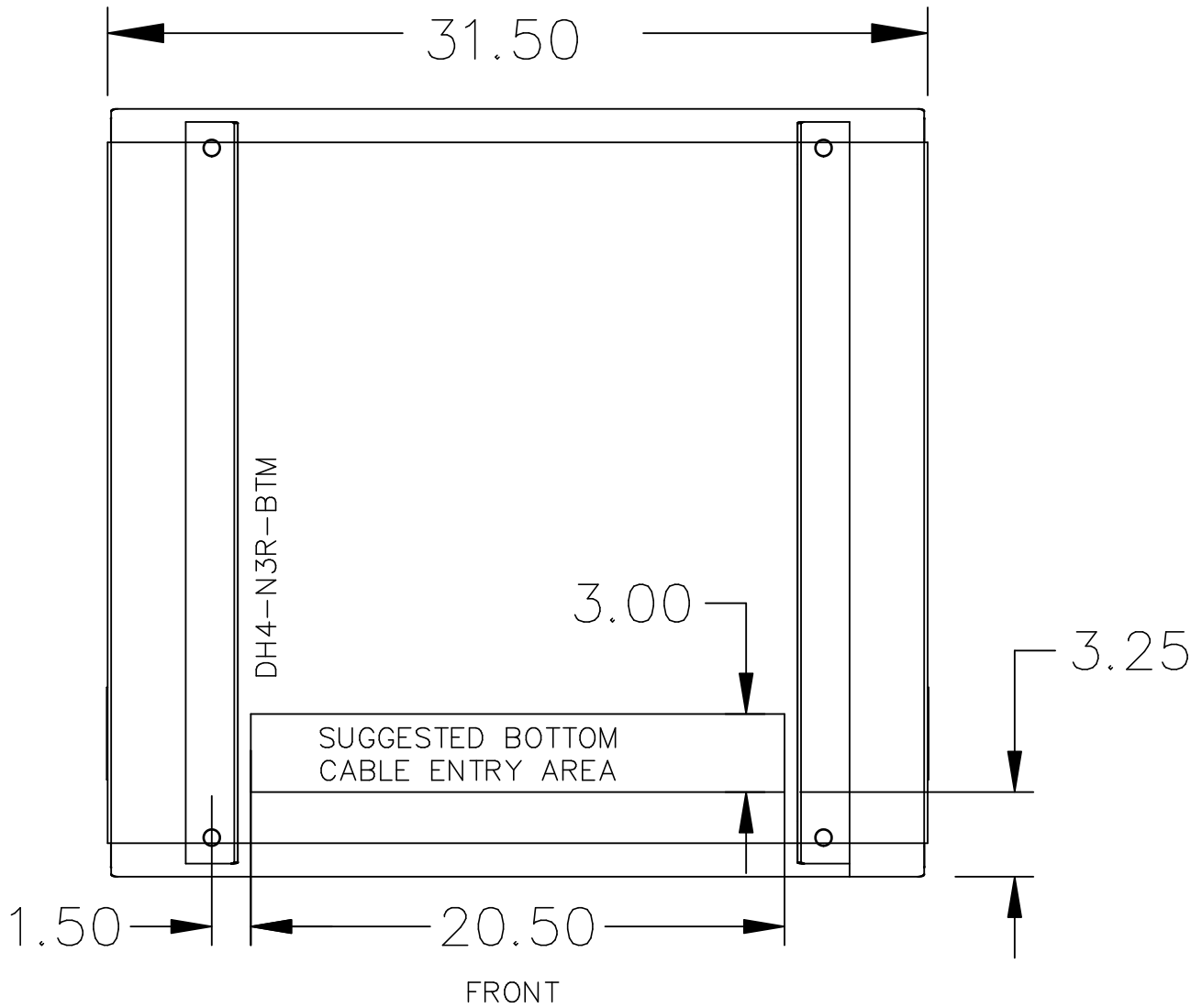
Confidential – Property of  
**Siemens Industry, Inc.**

REVISION	DATE	BY	DATE	BY
			17/02/15	GP

CUSTOMER	
ORDER NO.	DWG. NO.
	3C5Y150FCD16BA
	SH 2 OF 3

0.1 gpatel 2017/02/15 12:54

FOR APPROVAL ONLY



NOTE:  
 WHEN BOTTOM CABLE ENTRY IS OPTED, THE SPACE USED FOR CONDUITS IN THE FRONT OF THE TRANSFORMER SHOULD NOT OBSTRUCT MORE THAN 50% OF THE FRONT AIR INTAKE AREA DEFINED BETWEEN THE BOTTOM PLATE AND THE SUPPORTING LEGS. SEE MANUAL FOR ADDITIONAL INFORMATION

Confidential - Property of  
 Siemens Industry, Inc.

REVISION	DATE	BY	DATE	BY
			17/02/15	GP

CUSTOMER	
ORDER NO.	DWG. NO. 3C5Y150FCD16BA
SH 3 OF 3	

0.1 gpatel 2017/02/15 12:54