

- IMPEDANCE SHOWN IS CALCULATED VALUE - NOT GUARANTEED
 - SERIAL NUMBER AND TESTED IMPEDANCE WILL BE SHOWN ON TRANSFORMER NAMEPLATE

ALSO VERIFIED IN ACCORDANCE TO ENERGY STANDARD C802.2-112

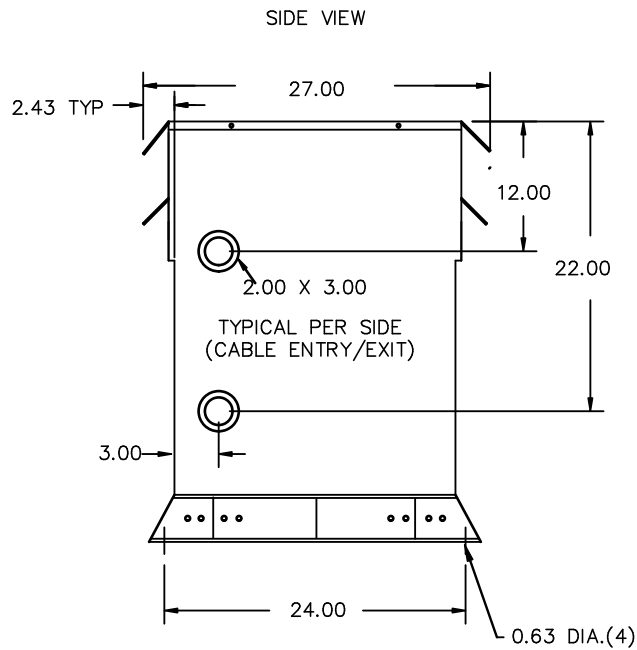
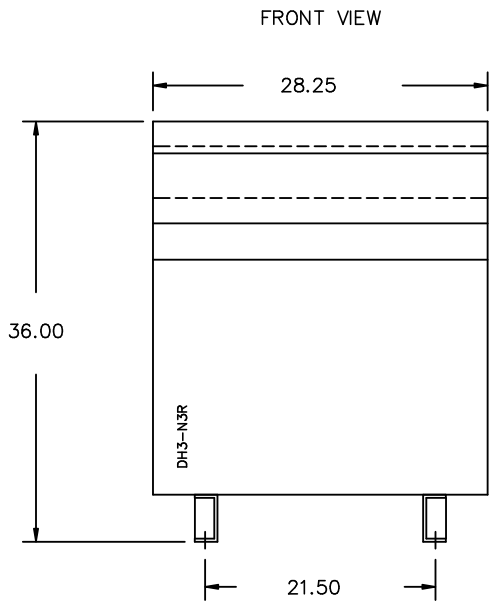
SIEMENS

CATALOG NO. 3B5Y112CD16 SERIAL NO. SERIES H 112.5 kVA 60 Hz 3 PHASE 3.8 % IMP AT 170 °C			
150 °C RISE	°C AVG. AMBIENT		
220 °C TEMP CLASS	°C MAX. AMBIENT		
PRIMARY (X1 X2 X3)	208V V 10 kV BIL		
SECONDARY(H0 H1 H2 H3)	480Y/277V V 10 kV BIL		
WINDING MATERIAL		CU	
ENCLOSURE TYPE	3R	WEIGHT	765 LBS
ENERGY EFFICIENT SOR/2011-10E 10 CFR PART 431:2016			
SPACINGS BETWEEN ANY VENTILATED ENCLOSURE PANEL AND ANY ADJACENT WALL SHALL BE A MINIMUM OF 5 INCHES EXCEPT WHEN WALL MOUNTED USING APPROVED WALL MOUNTING KIT SEISMIC QUALIFICATIONS, OSP-0136-10 IBC 2012/ASCE 7-10			
SUITABLE FOR INDOOR OR OUTDOOR LOCATIONS BEFORE HANDLING, INSTALLING AND OPERATING; SEE INSTRUCTION MANUAL NEMA Class ANN Dry Type Transformer		Siemens Industry, Inc. Norcross, GA 30092	



REVISION	DATE	BY	DATE	BY
		DRAWN	16/12/09	NL
		CHEK'D		
		VERIF'D		

Confidential - Property of Siemens Industry, Inc.	
CUSTOMER	
ORDER NO.	DWG. NO.
	3B5Y112CD16
SH 1 OF 2	



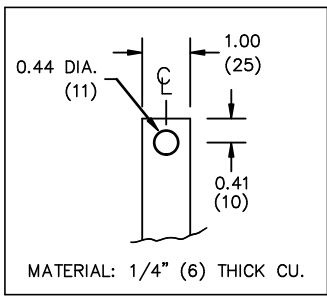
All Dimensions in inches

ENCLOSURE COLOR :ANSI 61 GREY – OUTDOOR

HV TERMINAL DETAIL

LV TERMINAL DETAIL

MECHANICAL TYPE LUGS INCLUDED
SUITABLE FOR 250MCM-6 CU/AL
CONDUCTORS
1 CONDUCTOR PER PHASE



CUSTOMER NOTES:

- HV TERMINATED AT BOTTOM FRONT
- LV TERMINATED AT TOP FRONT

Confidential – Property of
Siemens Industry, Inc.

REVISION	DATE	BY	DATE	BY
			16/12/09	NL

CUSTOMER	
ORDER NO.	DWG. NO.
	3B5Y112CD16
	SH 2 OF 2

0.0 nielumie 2016/12/09 08:15