

REVISION	DATE	BY	DATE	BY
			17/01/27	RM

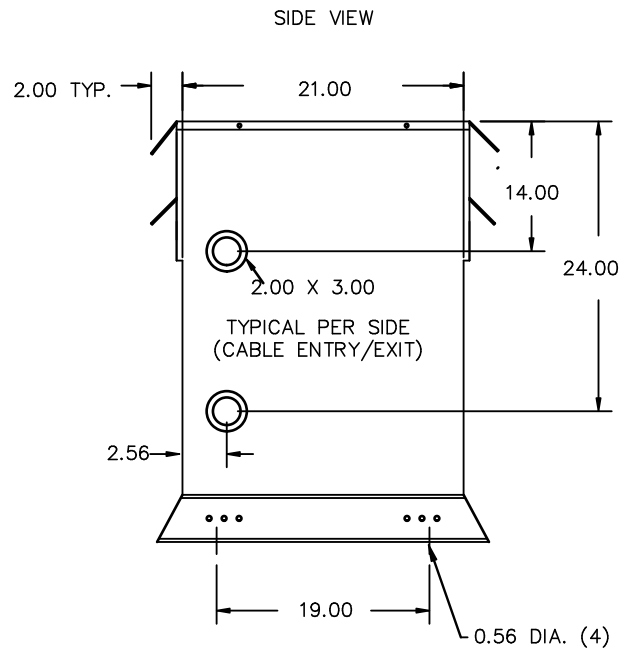
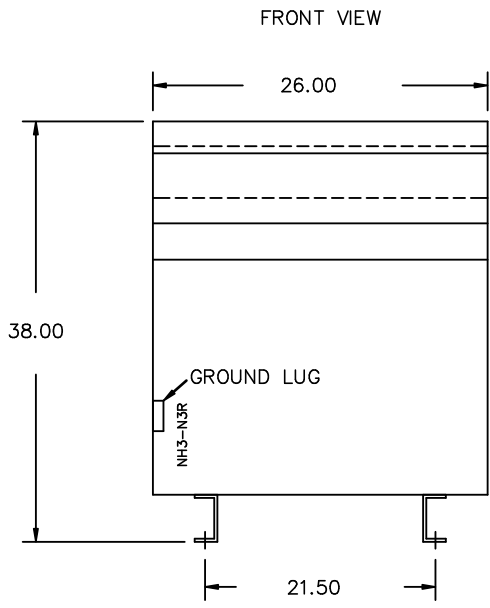
Confidential - Property of Siemens Industry, Inc.	
CUSTOMER	
ORDER NO.	DWG. NO.
	1B1Y037FCTP1
	SH 1 OF 2

SIEMENS

<p>CATALOG NO. 1B1Y037FCTP1</p> <p>SERIAL NO. SERIES H</p> <p>37.5 kVA 60 Hz 1 PHASE</p> <p>4.9 % IMP AT 135 °C</p> <p>115 °C RISE 30 °C AVG. AMBIENT</p> <p>220 °C TEMP CLASS 40 °C MAX. AMBIENT</p> <p>PRIMARY (H1 H2) 208 V</p> <p>SECONDARY(X4 X2 X3 X1) 120/240 V</p> <p>WINDING MATERIAL CU</p> <p>ENCLOSURE TYPE 3R WEIGHT 430 LBS</p> <p>ENERGY EFFICIENCY CSA CSA C802.2-12 NEMA DOE 10 CR PART 431-2016</p> <p>SPACINGS BETWEEN ANY VENTILATED ENCLOSURE PANEL AND ANY ADJACENT WALL SHALL BE A MINIMUM OF 3 INCHES</p>	<p>H1 H2 H1 H2</p> <p>VOLTS CONNECT</p> <p>218 1-2</p> <p>213 2-3</p> <p>208 3-4</p> <p>203 4-5</p> <p>198 5-6</p> <p>192 6-7</p> <p>187 7-8</p>	<p>TYPE F</p> <p>UL LISTED</p> <p>DRY TYPE TRANSFORMER E112313</p> <p>SA LR 3902</p>
<p>SUITABLE FOR INDOOR OR OUTDOOR LOCATIONS BEFORE HANDLING, INSTALLING AND OPERATING; SEE INSTRUCTION MANUAL</p> <p>NEMA Class ANN Dry Type Transformer Siemens Industry, Inc. Norcross, GA dsu0082e</p>		



1B1Y037FCTP1



All Dimensions in inches

ENCLOSURE COLOR :ANSI 61 GREY- OUTDOOR

HV TERMINAL DETAIL

LV1 TERMINAL DETAIL

LV2 TERMINAL DETAIL

MECHANICAL TYPE LUGS INCLUDED
SUITABLE FOR 350MCM-6 CU/AL
CONDUCTORS
1 CONDUCTOR PER PHASE

MECHANICAL TYPE LUGS INCLUDED
SUITABLE FOR 250MCM-6 CU/AL
CONDUCTORS
1 CONDUCTOR PER PHASE

MECHANICAL TYPE LUGS INCLUDED
SUITABLE FOR 250MCM-6 CU/AL
CONDUCTORS
1 CONDUCTOR PER PHASE

CUSTOMER NOTES:

- HV TERMINATED AT TOP FRONT
- LV1 TERMINATED AT BOTTOM FRONT
- LV2 TERMINATED AT BOTTOM FRONT

Confidential - Property of
Siemens Industry, Inc.

REVISION	DATE	BY	DATE	BY
		DRAWN	17/01/27	RM
		CHEK'D		
		VERIF'D		

CUSTOMER	
ORDER NO.	DWG. NO. 1B1Y037FCTP1
SH 2 OF 2	

0.1 rmova 2017/01/27 15:40