

# SIEMENS

## Rainproof Combination Metering

Catalog Number

**MM0202B1400SCS**

Enclosure

**Type 3R**

Device Rating:

400 Amp, Max; 120/240 Volts ~, 1 phase, 3 wire

Meter Socket Rating: 400 Amp Max. 320 Amp Continuous

For installation by Qualified Person in accordance with all local electrical codes and/or the National Electrical Code.®

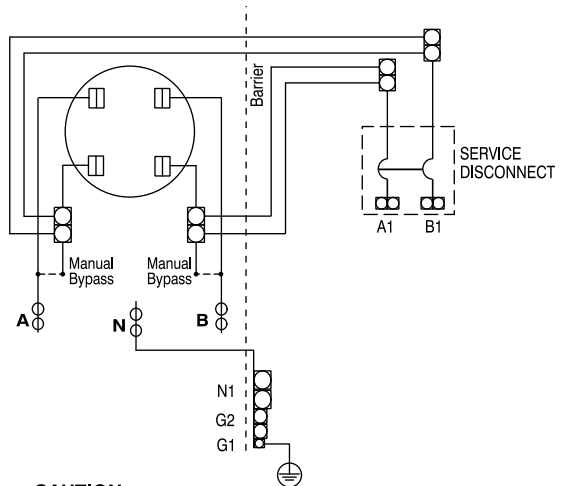
**Suitable Only For Use As Service Equipment**

**For Overhead or Underground Service**

**Terminals Suitable for 60°/75° C Copper or Aluminum Conductor**

### General Information

Circuit breaker trip position is indicated by handle position midway between ON and OFF. To reset, move handle to OFF position then turn ON.



### CAUTION:

Load circuit may be live with meter removed

### Load, Neutral and Ground Terminals

Terminal	Wire Size	Torque
A, B, N		
SUK350TA	(2)#6-350 kcmil	275 lb-in
SUK600TA	#2-600 kcmil	375 lb-in
SUK1000TA	500-1000 kcmil	500 lb-in
G2	300 kcmil - #4	250 lb-in
G1	2/0 - #14	50 lb-in
A1, B1, N1	See Markings on Breaker	

### Line Terminals:

Provisions for UL listed NEMA mounting terminals. Compression terminals to #750 kcmil, single conductor, ILSCO type 2ACL. See lug manufacturer's instruction sheet supplied with the connector for tool, die, and number of crimps.

### Tightening Torques:

5/16" Nuts(1/2" Drive).....130-140 in-lbs  
 3/8" Nuts(9/16" Drive).....240-260 in-lbs  
 1/2" Nuts(3/4" Drive) .....490-540 in-lbs

### Accessories:

Flush Rail Kit	ECFRK2
Line Lug #6-350 kcmil	SUK350TA
Line Lug #2-600 kcmil	SUK600TA
Line Lug 500-1000 kcmil	SUK1000TA
Load Lug 3/0-500 kcmil	TA2-J6500
Load Lug 500-750 kcmil	TA1-L6750

If hub is required, use Type HD catalog numbers listed below:

Trade size (in)	Catalog No.
2"	EC56854
2 1/2"	EC56855
3"	EC56856
3 1/2"	EC56857
4"	EC56858
Closure Plate	EC56933S

### Short Circuit Current Rating (Wattour Meter not included in short circuit rating)

This panelboard has a maximum short circuit current rating of 22,000 Amps RMS symmetrical at 120/240 Volts~ with Siemens type JXD2-A breaker installed. Replacement breaker must be manufactured by Siemens and be of the correct type. Use of other circuit breakers in this equipment could result in personal injury or property damage and will void the warranty.

**Important:** Do not allow petroleum based (hydrocarbon) sprays, chemicals, solvents or any paint to contact interior components. Petroleum based chemicals can cause degradation of electrical insulating materials.