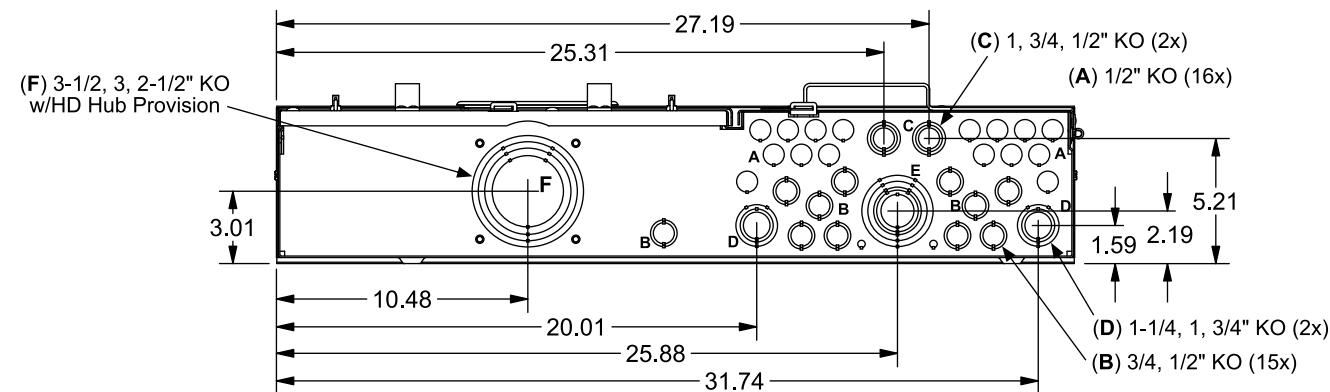
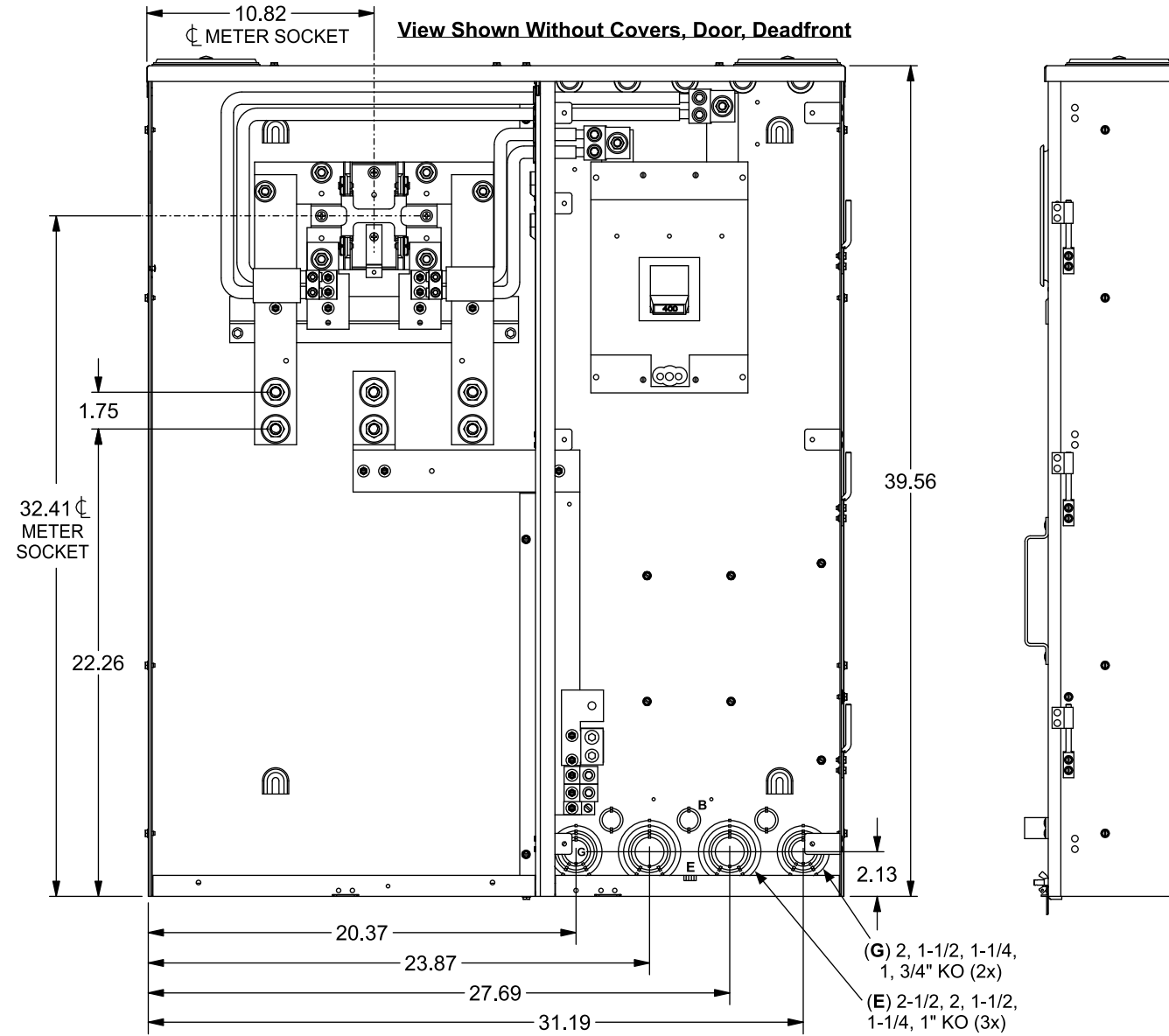
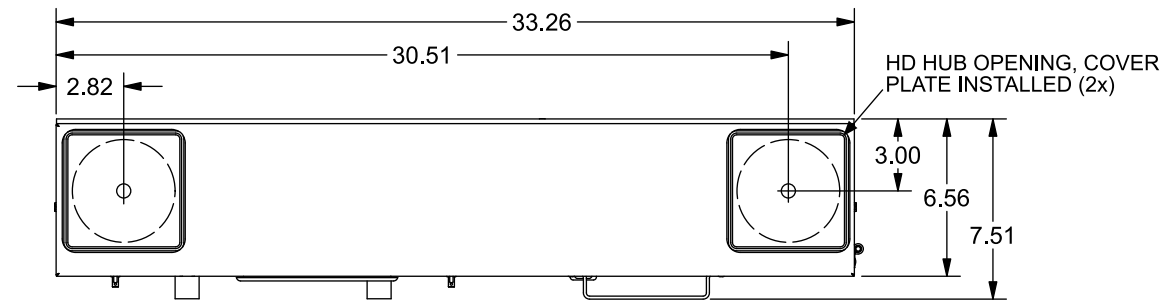
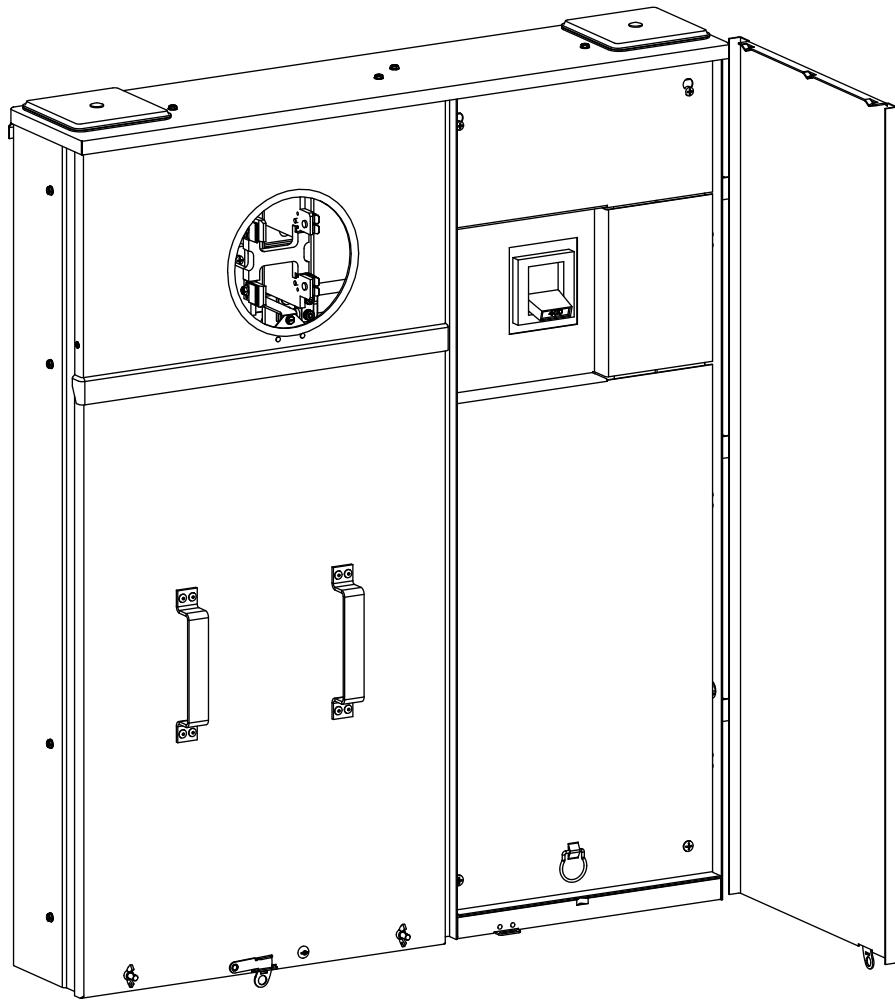


Catalog Number: MM0202B1400SC



Features and Ratings

- Outdoor Enclosure (NEMA Type 3R)
- 400A Max, 1 Phase, 3 Wire, 120/240V~
- 22,000 AIC Max. Rated (See Wiring Diagram for Details)
- Meter Socket Rating: 320A Continuous, 400A Max.
- Ring Type Meter Cover, No Bypass
- For Overhead or Underground Service
- Surface Mounting
- Uses HD Type Hubs
- Complies with EUSERC Dwg. No. 302A



Accessories

If hub is required, use Type HD catalog numbers listed below:

Trade size (in)	Catalog No.
2"	EC56854
2 1/2"	EC56855
3"	EC56856
3 1/2"	EC56857
4"	EC56858
Closure Plate	EC56933S

Accessories:

Flush Rail Kit	ECFRK2
Line Lug #6-350 kcmil	SUK350TA
Line Lug #2-600 kcmil	SUK600TA
Line Lug 500-1000 kcmil	SUK1000TA
Load Lug 3/0-500 kcmil	TA2-J6500
Load Lug 500-750 kcmil	TA1-L6750

Torques & Wire Sizes

Load, Neutral and Ground Terminals

Terminal	Wire Size	Torque
A, B, N	(2) #6-350 kcmil	275 lb-in
SUK350TA	#2-600 kcmil	375 lb-in
SUK600TA	500-1000 kcmil	500 lb-in
SUK1000TA	300 kcmil - #4	250 lb-in
G2	2/0 - #14	50 lb-in
G1	See Markings on Breaker	

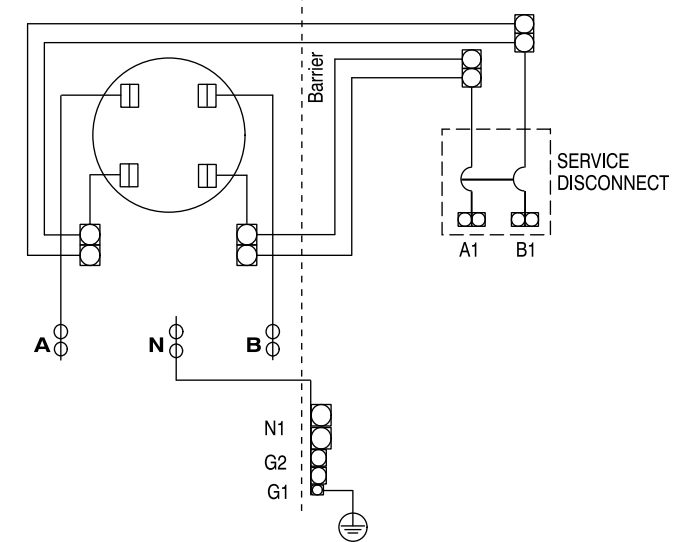
Tightening Torques:

5/16" Nuts(1/2" Drive)....130-140 in-lbs
 3/8" Nuts(9/16" Drive)....240-260 in-lbs
 1/2" Nuts(3/4" Drive)490-540 in-lbs

Line Terminals:

Provisions for UL listed NEMA mounting terminals. Compression terminals to #750 kcmil, single conductor, ILSCO type 2ACL. See lug manufacturer's instruction sheet supplied with the connector for tool, die, and number of crimps.

Schematic



© 2017 Copyright Siemens Industry, Inc.

SIEMENS
Siemens Industry, Inc.

Meter Main

Description: **400A Max, Outdoor, OH/UG, Surface Mount, No Bypass**

KAM 3/22/17 Fam . DO NOT SCALE DRAWING Dwg. No. **MM0202B1400SC**