

Catalog Number: MC0816B1200RJBT

**Features and Ratings**

- Unit Rating: 200A Max., 120/240VAC
- Meter Socket Rating: 200A Continuous
- Ringless Type Horn Bypass Meter Socket
- Outdoor Enclosure (NEMA Type 3R)
- Painted G90 Steel
- 1 Phase, 3 Wire
- 5 Jaw Meter Socket
- For Overhead or Underground Service
- RX Type Hub Opening, Cover Plate Installed
- 208Y/120 VAC, 1 Phase, 3 Wire  
(Derived From 3 Phase - 4 Wire System)

**Accessories**

CONDUIT HUBS (RX Type)

| TRADE SIZE | CATALOG No. |
|------------|-------------|
| 1-1/4 INCH | EC38597     |
| 1-1/2 INCH | EC38598     |
| 2 INCH     | EC38599     |
| 2-1/2 INCH | EC38600     |

CONDUIT HUBS (HC Type)

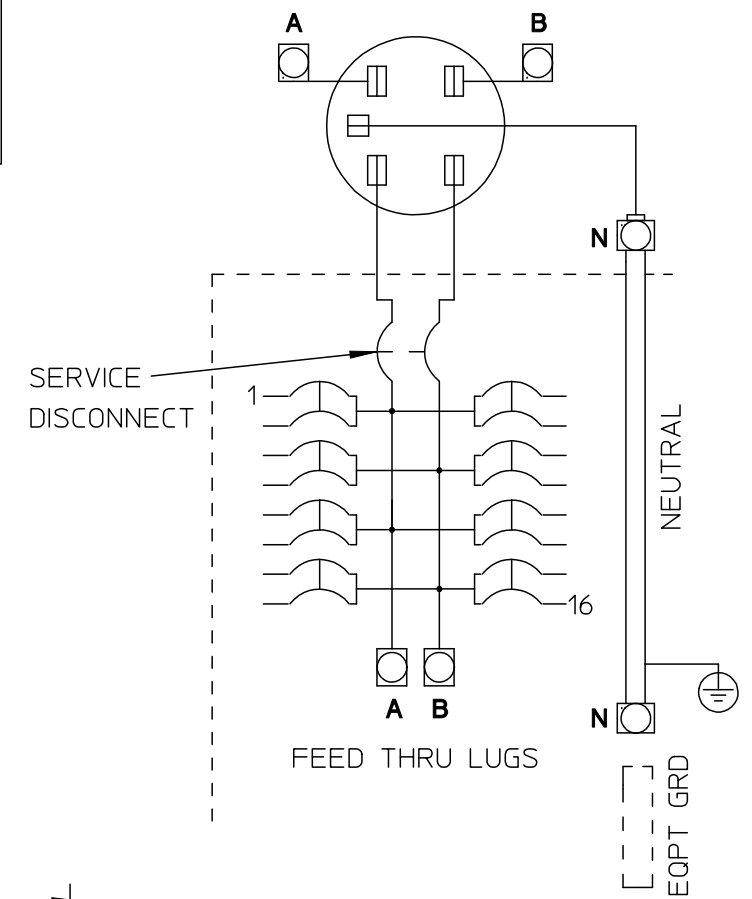
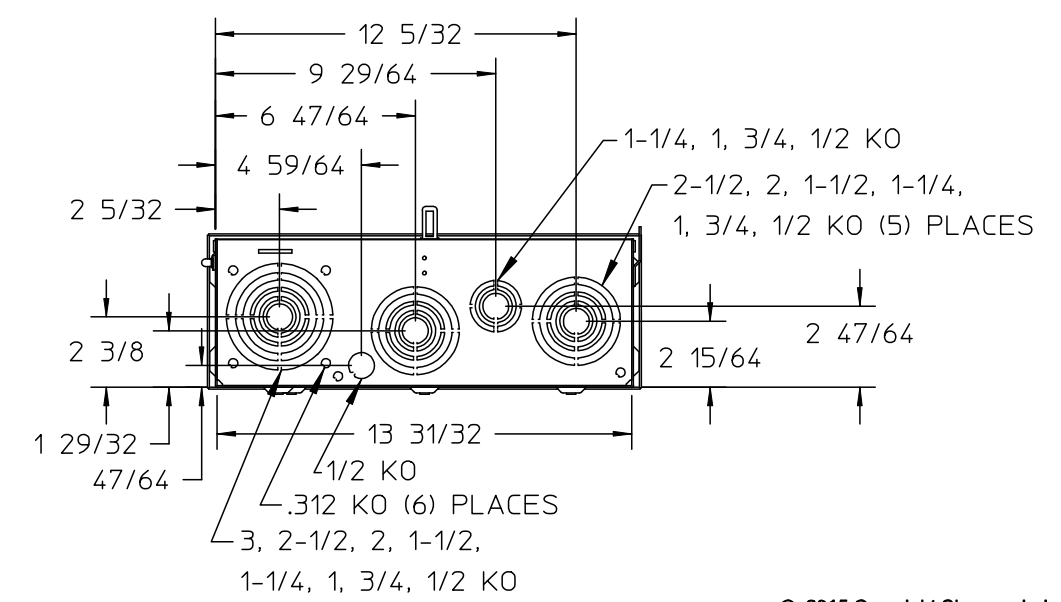
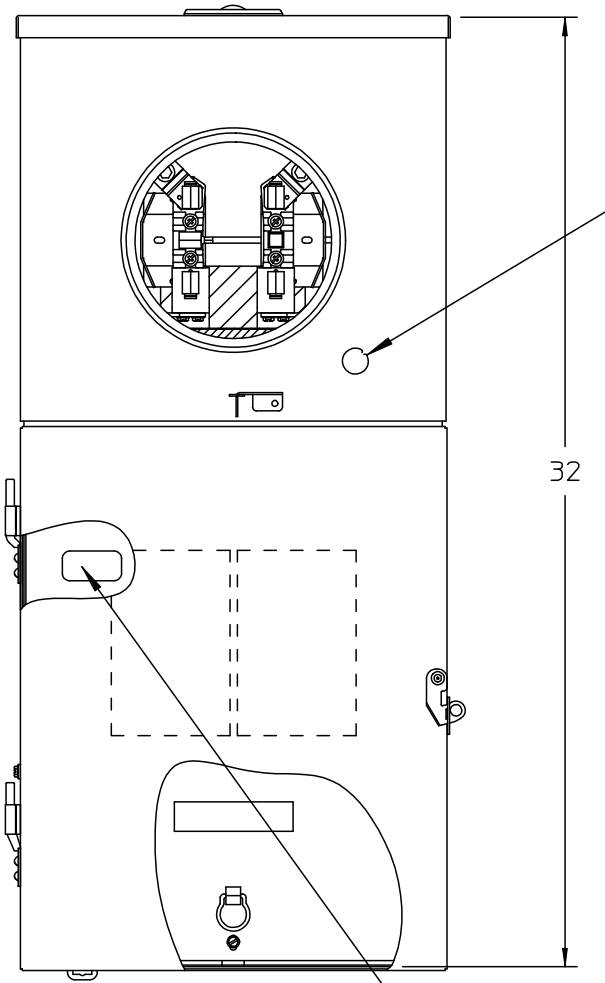
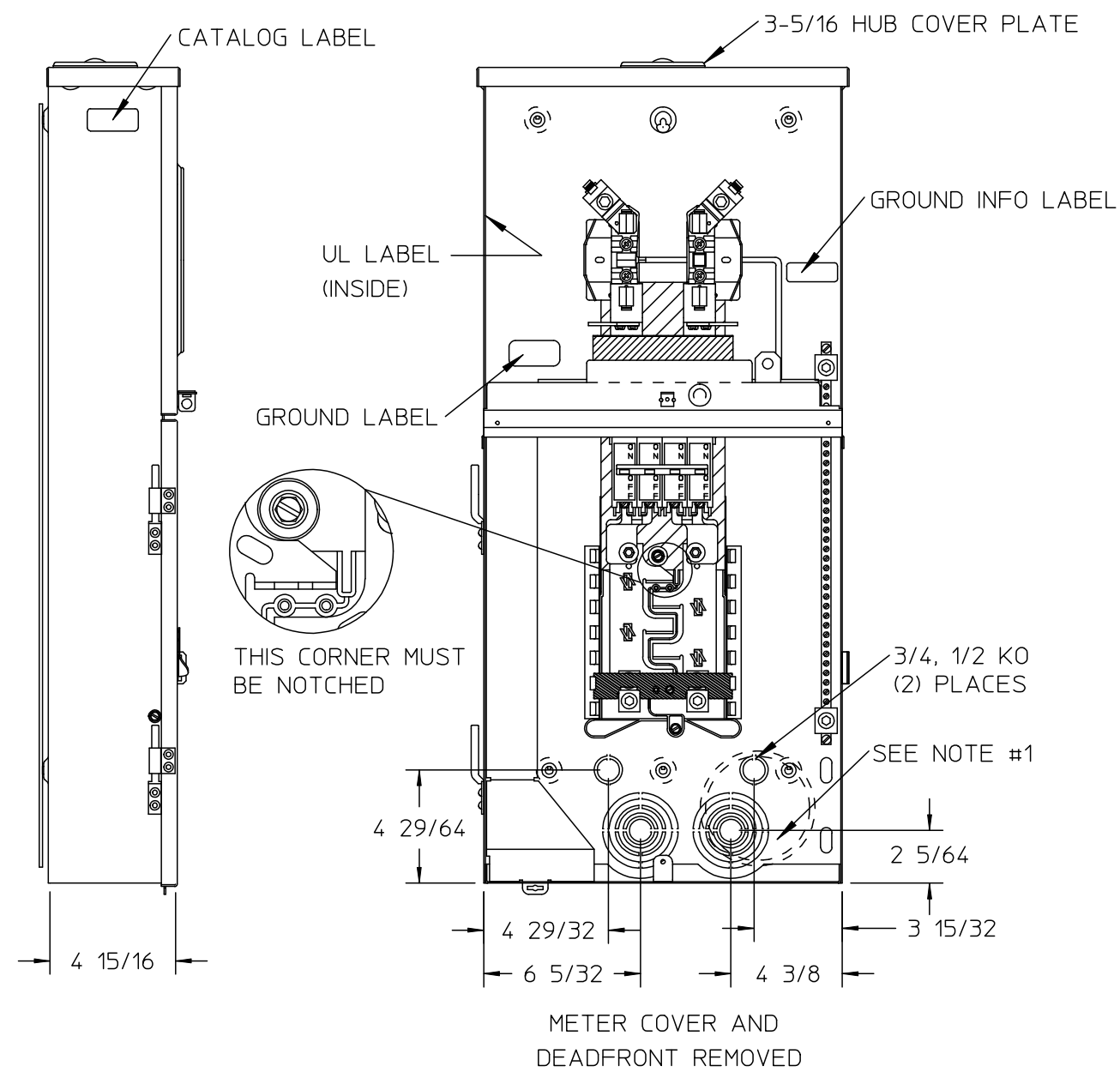
| TRADE SIZE | CATALOG No. |
|------------|-------------|
| 2 INCH     | ECHC200     |
| 2-1/2 INCH | ECHC250     |
| 3 INCH     | ECHC300     |

**Accessories**

- Filler plate  
Cat No: QF3 or ECQF3
- 2/0 - #4 Lug Kit  
Cat No: ECLK2
- 5TH Jaw Assembly  
Cat No: EC5J2
- Mechanical Breaker Interlock  
Cat No: ECSBPK08
- Meter Socket Jumper  
Cat No: ECJS
- Equipment Grounding Bars  
Cat No: ECGB10

**Connectors, Wire Sizes and Torques**

| CONNECTOR          | WIRE SIZE                 | TORQUE       |
|--------------------|---------------------------|--------------|
| A, B, AND N        | #4 AWG - 250 kcmil        | 250 IN.-LBS. |
| NEUTRAL/GROUND BAR | #14 - 10 CU/12 - 10AL AWG | 20 IN.-LBS.  |
|                    | #8 AWG                    | 25 IN.-LBS.  |
|                    | #6-4 AWG                  | 35 IN.-LBS.  |



NOTES:  
1) PLACE ITEMS IN APPROX. LOCATION SHOWN

© 2015 Copyright Siemens Industry, Inc.

**SIEMENS**  
Siemens Industry, Inc.

**RAINPROOF COMBINATION METERING**

Description:  
**SKT/BKR 200A 1P HCP**

RB 6/29/15 | DO NOT SCALE DRAWING | Dwg No: MC0816B1200RJBT