

# SIEMENS

## Rainproof Combination Metering

Catalog Number  
**MC4040B1200R**

Enclosure  
**Type 3R**

RATING: 200 AMPS Max.  
120/240 VOLTS AC, 1 phase, 3 wire  
208Y/120 VOLTS AC, 1 phase, 3 wire, when 5th jaw is installed.  
(Derived from 3 phase - 4 wire system)

METER SOCKET RATING: 200 AMPS Continuous

For installation in accordance with all local electrical codes and/or The National Electrical Code®.

### SUITABLE ONLY FOR USE AS SERVICE EQUIPMENT.

FOR OVERHEAD OR UNDERGROUND SERVICE

**USE 60/75° COPPER OR ALUMINUM CONDUCTOR** in terminals A, B, N1, N2, AND N3.

#### GENERAL INFORMATION

Removed twistouts from deadfront only where breakers will be installed. All openings must be filled with breakers or filler plates.

Circuit breakers overload trip position is indicated by handle position midway between ON and OFF. To reset, move handle to OFF position then to ON.

Sum of QP, QPF, QE, QAF, QG, QW breakers not to exceed 80 AMPS per stab.

Any unused neutral positions may be used as ground conductors.

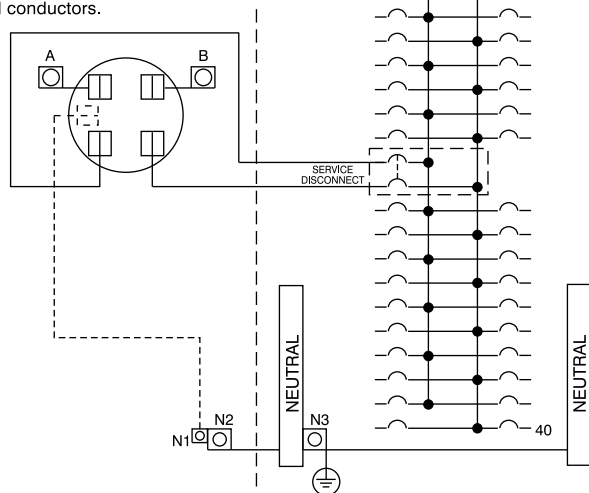
#### ACCESSORIES

Filler Plate - ECQF3  
5th Jaw Accessory - EMC5J  
Lay-In Lug Neutral Kit - ECLLK1  
Interlock Kit - ECSBPK05, ECSBPK07

IF HUB IS REQUIRED, THE CATALOG NUMBERS LISTED BELOW MAY BE USED ON THIS ENCLOSURE

TRADE SIZE (IN)	CATALOG NUMBER
1-1/4"	EC38597
1-1/2"	EC38598
2"	EC35899
2-1/2"	EC38600

Terminal	Wire Size	Torque
A, B	350kcmil - #6	275 lb-in
N1	#2 - #3	50 lb-in
	#4 - #6	45 lb-in
	#8	40 lb-in
	#10 - #14	35 lb-in
N2	250kcmil - #6	275 lb-in
N3	1/0 - #14	120 lb-in
Branch Breaker Terminals	See Markings on Breaker	
Neutral Bar	#10 - #14 CU	20 lb-in
	#10 - #12 AL	20 lb-in
	#8	25 lb-in
	#6 - #4	35 lb-in
Ground Conductors Only	(2) or (3) #14 AWG	20 lb-in
	(2) #12-#10 AWG	20 lb-in



**SHORT CIRCUIT CURRENT RATING** (wathour meter not included in short circuit rating). This panelboard has a short circuit current rating of 22,000 amps RMS symmetrical, 120/240 VAC. The correct branch breakers and main/branch breaker series combinations to be used for various short circuit current levels are listed in the tabulation below. Any circuit breaker installed, replaced, or added in this panelboard must be manufactured by Siemens and must be of the correct type as indicated in the tabulation below.

MAIN BREAKER WHEN THE MAIN BREAKER IS:	BRANCH BREAKER AND THE BRANCH BREAKERS INSTALLED ARE SIEMENS TYPE:	THEN THE MAXIMUM SHORT CIRCUIT RATING IN RMS SYMMETRICAL AMPERES, 120/240 VOLTS AC IS:
QNRH	QP, QAF, QAF2, QFGA2, QPF, QPF2, QE, QNR	22,000

**Warning:** This equipment has been designed for use only with circuit breakers listed above. Use of other circuit breakers in this equipment could result in personal injury or property damage and will void the warranty.

**Important:** Do not allow petroleum based (hydrocarbon) sprays, chemicals, solvents or any paint to contact interior components. Petroleum based chemicals can cause degradation of electrical insulating materials.