

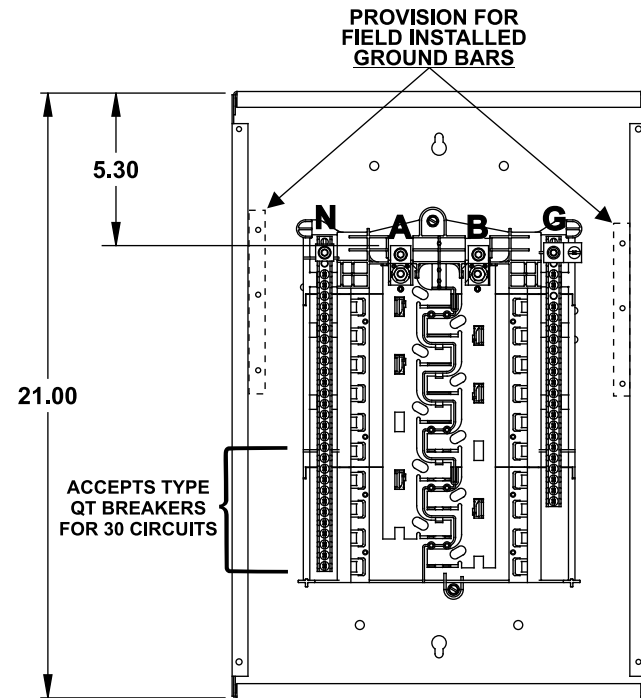
Catalog Numbers, Features and Ratings

- 1 PHASE, 3 WIRE, 120/240V ~
- 100K AIC MAX. RATED
(SEE WIRING DIAGRAM FOR DETAILS)
- MAIN LUG ONLY
- SPLIT/EXTENDED NEUTRAL AND GROUNDS
- INVERTIBLE
- TYPE N1 INDOOR ENCLOSURE
- ANSI 61 GRAY POWDER COATED ENCLOSURE
(SEE CHART FOR TRIM/DOOR COLOR)

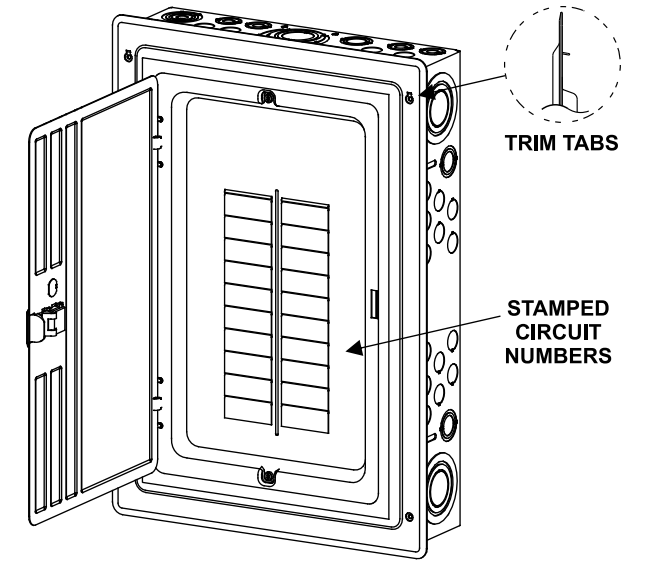


Catalog Number	ENCLOSURE DIMS			Amps Max	Number Spaces	Number Circuits	Bus Bar Material	Bus Bar Plating	Trim Color
	L	W	D						
S2030L1125SG	21.00	14.25	3.88	125	20	30	Aluminum	Tin Plated	Gray

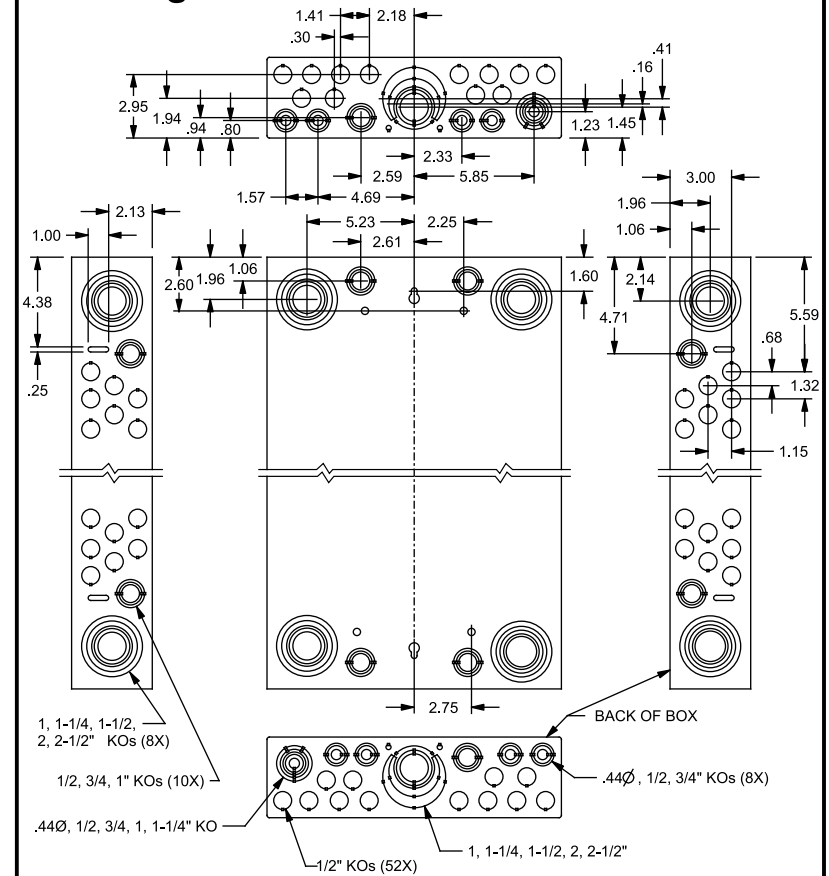
S2030L1125SG



Trim/Door Detail



KO Diagram



TERMINAL WIRE SIZES AND TORQUES

USE COPPER OR ALUMINUM 60°/75°C WIRE
SEE BREAKER MARKINGS FOR WIRE SIZE AND TORQUE REQUIREMENTS

TERMINALS	WIRE	TORQUE
A, B, N	#1 - 4 AWG CU; 2/0 - 4 AWG AL	110 LB-IN
G	2/0-4 AWG	110 LB-IN
NEUTRAL/GROUND BARS (USE TYPE EC1GB or EC2GB GND BAR KIT ACCESSORY)	10-14 CU/10-12 AL 8 AWG 6-4 AWG	20 LB-IN 25 LB-IN 35 LB-IN
GROUND CONDUCTORS ONLY	(2)or(3) 14 AWG (2) 12-10 AWG	20 LB-IN 20 LB-IN
ECLK1-2 NEUTRAL LUG KIT	2/0-4 AWG	45 LB-IN
ECLK2 NEUTRAL LUG KIT	2/0-4 AWG	135 LB-IN
MAIN LUG TO BUS CONNECTION (1/4-20 NUT)		45 LB-IN
BONDING SCREW		45 LB-IN

ACCESSORIES

REFER TO WIRING DIAGRAM FOR
CORRECT ACCESSORY USAGE

ACCESSORIES	
DESCRIPTION	CAT. NO.
DOOR LOCK	ECQFL2
FILLER PLATE, 1"	QF3
BREAKER HOLD-DOWN	ECMBR2
BONDABLE GROUND LUG	ECLKB1
SUBFEED LUG KIT	ECLK2125
100-125 AMP MAIN LUG KIT	ECMLK125
STANDBY PWR INTERLOCK KITS:	
ECSPBK01, ECSPBK02	

GROUND BAR KITS	
DESCRIPTION	CAT. NO.
TYPE EC1GB KIT, 8 SCREWS	EC1GB8
TYPE EC1GB KIT, 8 SCREWS, 2/0 LUG	EC1GB82
TYPE EC2GB KIT, 12 SCREWS	EC2GB12
TYPE EC2GB KIT, 12 SCREWS, 2/0 LUG	EC2GB122
TYPE EC2GB KIT, 15 SCREWS	EC2GB15
TYPE EC2GB KIT, 15 SCREWS, 2/0 LUG	EC2GB152

© 2016 Copyright Siemens Industry, Inc.

SIEMENS
Siemens Industry, Inc.

ES Series Load Centers™

Description: **1 Phase, Indoor, 20 Position,
Split Ground, Main Lug Cut Sheet**

KAM 9/7/16 DO NOT SCALE DRAWING Dwg No: **S2030L1125SG**