

Circuit Breaker and Combination Type AFCI

2-pole

Features:

- Plug in circuit breaker
- LED trip indicators - a Siemens exclusive!
- 10kA interrupting rating
- 22kA interrupting rating for "H" models
- UL Listed
- 120 Volts AC
- Wire range #14 - 8 AWG
- Padlocking device available, use catalog number ECPLD2
- Handle blocking device available, use catalog number ECBX231M
- 2-Pole CAFCI market leader since 2009



2-pole Combination Type AFCI

Catalog number	Ampere rating	Interrupting rating	UL type
Q215AFC	15	10kA	QAF
Q220AFC	20	10kA	QAF
Q215AFCH	15	22kA	QAFH
Q220AFCH	20	22kA	QAFH

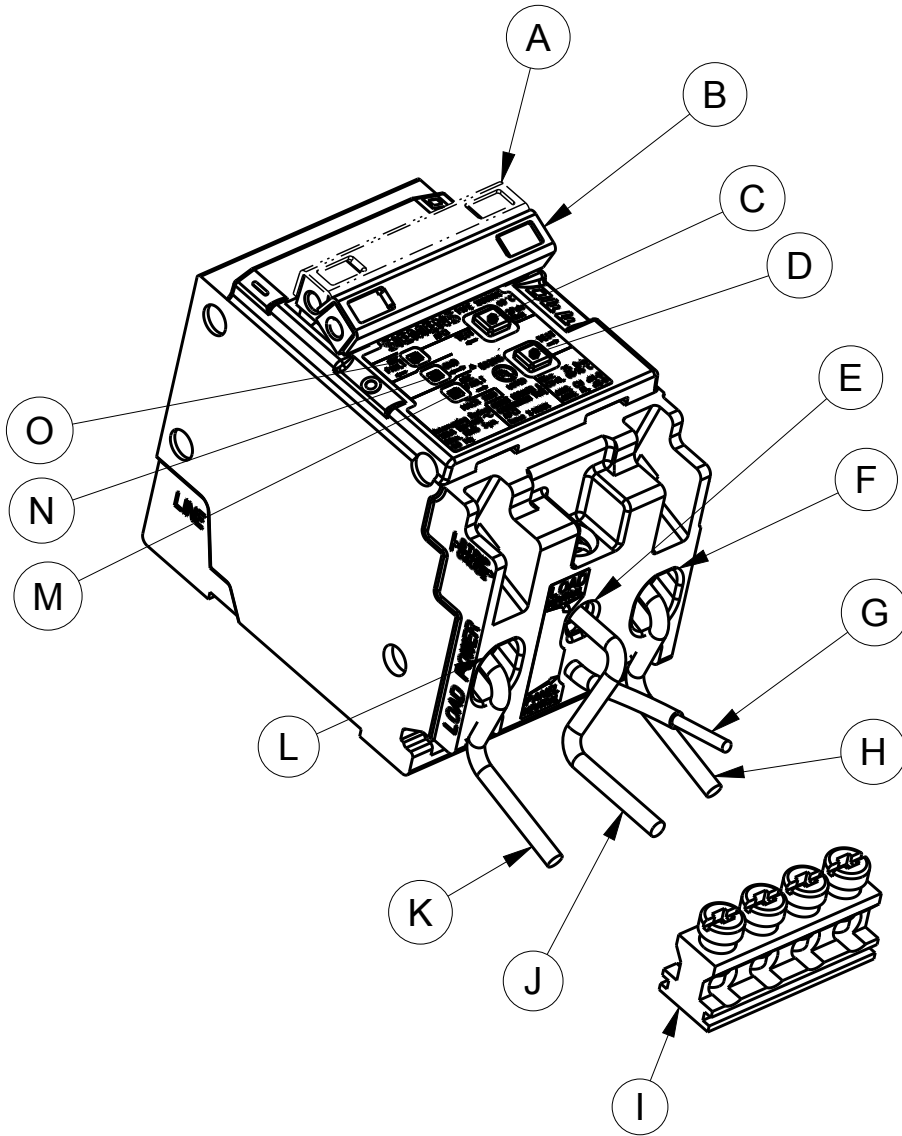
Data Sheet

www.usa.siemens.com/afci

SIEMENS

Circuit Breaker and Combination Type AFCI

Parts description



A Handle tripped center position

B Breaker handle

C Blue test button

D Blue test button

E Neutral terminal

F Load terminal

G Neutral (pig tail) wire

H Load power wire

I Panel neutral

J Load neutral wire

K Load power wire

L Load terminal

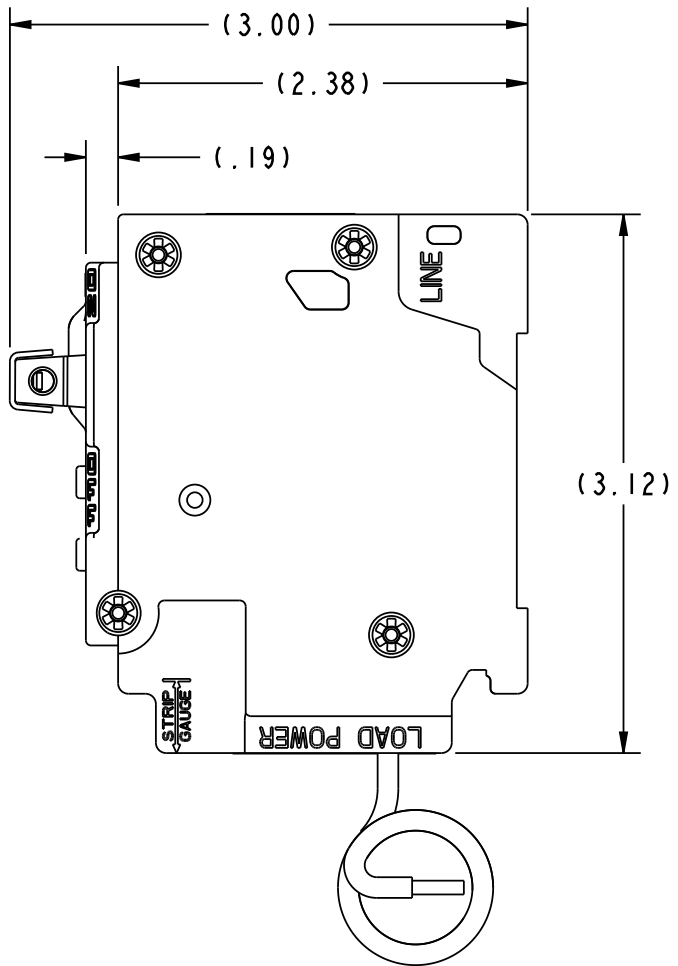
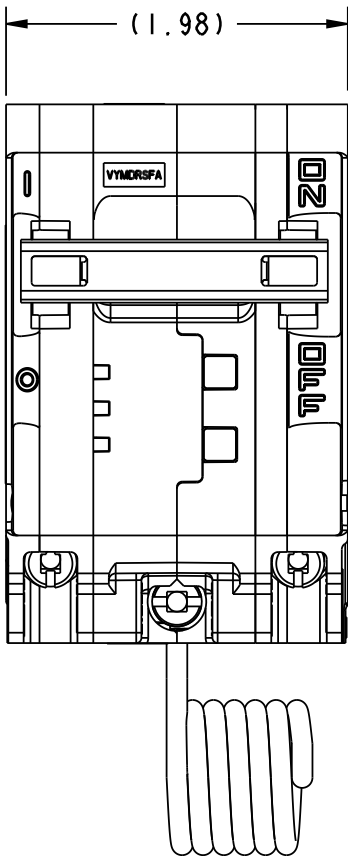
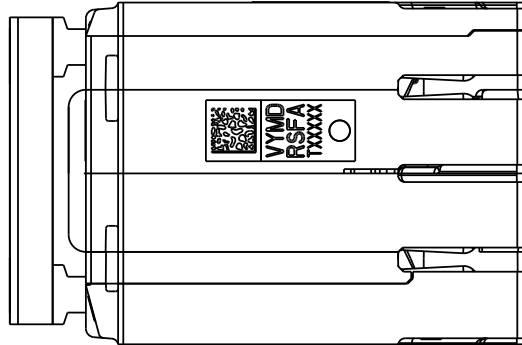
M LED trip indicator

N LED trip indicator

O LED trip indicator

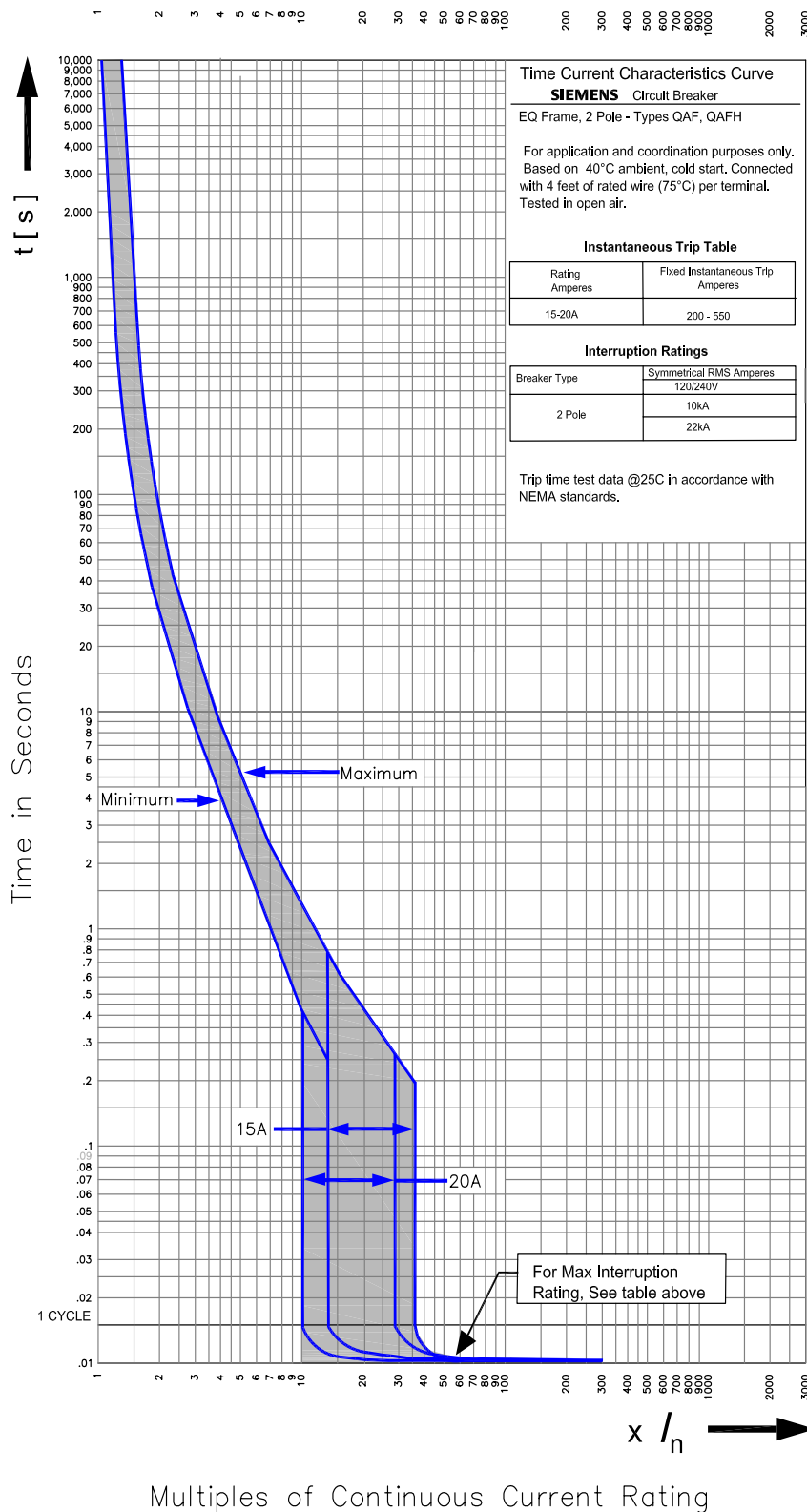
Circuit Breaker and Combination Type AFCI

Outline drawings (inches)



Circuit Breaker and Combination Type AFCI

Time current characteristic curves



Siemens Industry, Inc.
 5400 Triangle Parkway
 Norcross, GA 30092

1-800-241-4453
 info.us@siemens.com

©2012 Siemens Industry, Inc.
 All Rights Reserved. Siemens is a registered trademark of Siemens AG. Product names mentioned may be trademarks or registered trademarks of their respective companies. Specifications are subject to change without notice.

RPFL-2POLE-0412