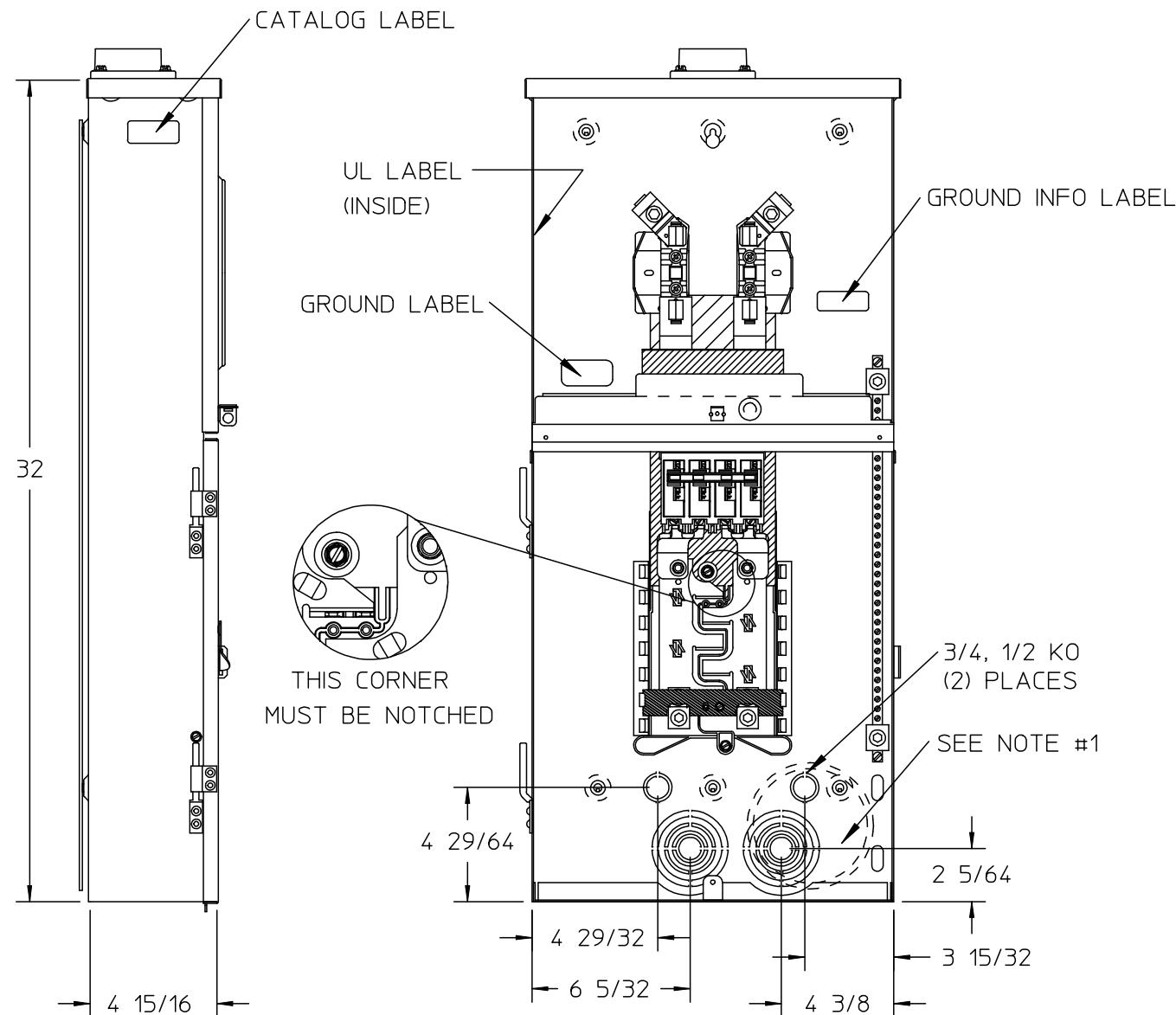


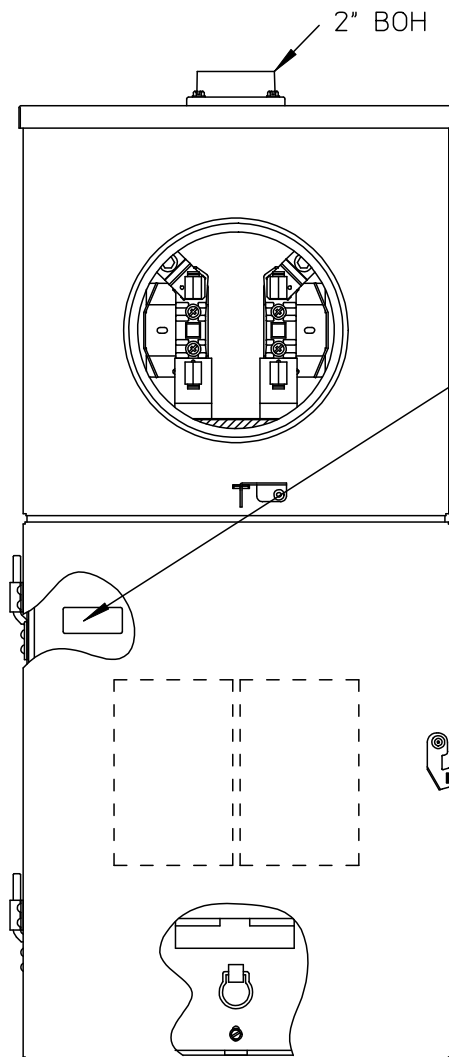
Catalog Number: MC0816B1200RTZ

Features and Ratings

- Unit Rating: 200A Max., 120/240VAC
- Meter Socket Rating: 200A Continuous
- Ringless Type Horn Bypass Meter Socket
- Outdoor Enclosure (NEMA Type 3R)
- Painted G90 Steel
- 1 Phase, 3 Wire
- 5 Jaw Meter Socket
- For Overhead Service Only
- RX Type Hub Opening, 2" Hub Installed
- 208Y/120 VAC, 1 Phase, 3 Wire with 5th Jaw Installed
(Derived From 3 Phase - 4 Wire System)



METER COVER AND DEADFRONT REMOVED



NOTES:
1) PLACE ITEMS IN APPROX. LOCATION SHOWN

Accessories

CONDUIT HUBS (RX Type)

| TRADE SIZE | CATALOG No. |
|------------|-------------|
| 1-1/4 INCH | EC38597 |
| 1-1/2 INCH | EC38598 |
| 2 INCH | EC38599 |
| 2-1/2 INCH | EC38600 |

CONDUIT HUBS (HC Type)

| TRADE SIZE | CATALOG No. |
|------------|-------------|
| 2 INCH | ECHC200 |
| 2-1/2 INCH | ECHC250 |
| 3 INCH | ECHC300 |

Accessories

Filler plate

Cat No: QF3 or ECQF3

2/0 - #4 Lug Kit

Cat No: ECLK1-2 (Torque 45 Lb.-Ins.)

5th Jaw Assembly:

Cat No: EC5J2

Mechanical Breaker Interlock:

Cat No: ECSBPK08

Meter Socket Jumper

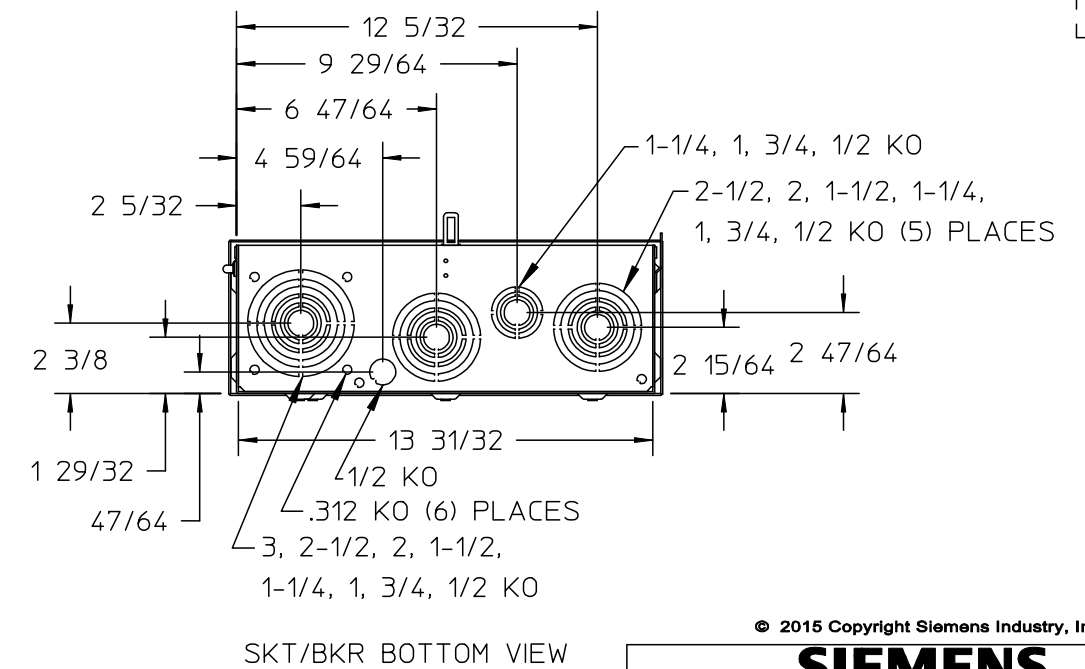
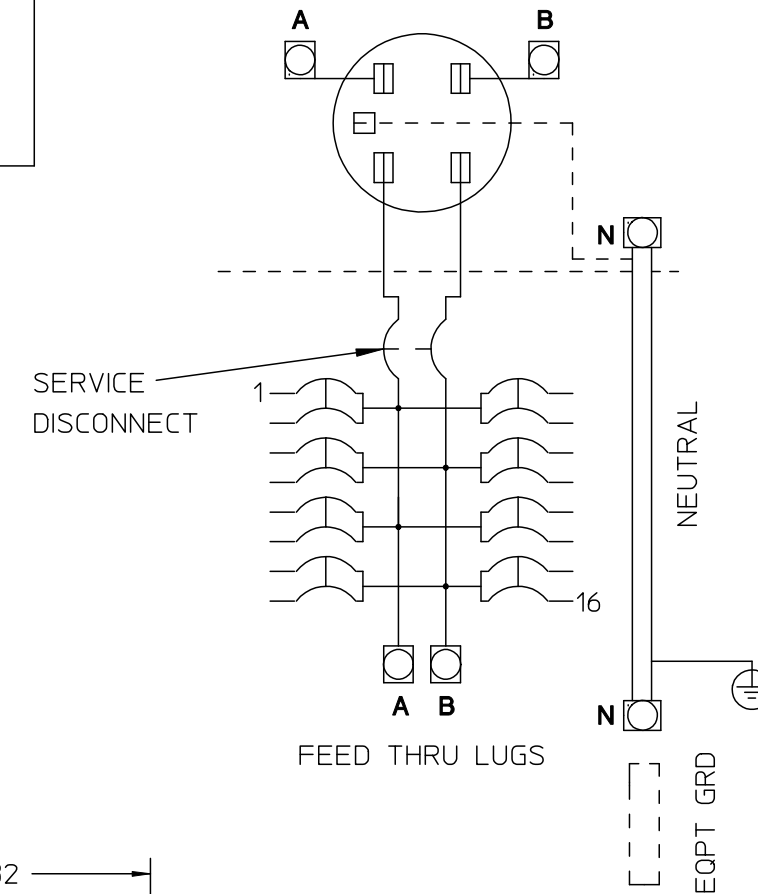
Cat No: ECJS

Equipment Grounding Bar

Cat No: ECGB10

Connectors, Wire Sizes and Torques

| CONNECTOR | WIRE SIZE | TORQUE |
|--------------------|---------------------------|--------------|
| A, B, AND N | #4 AWG - 250 kcmil | 250 IN.-LBS. |
| NEUTRAL/GROUND BAR | #14 - 10 CU/12 - 10AL AWG | 20 IN.-LBS. |
| | #8 AWG | 25 IN.-LBS. |
| | #6-4 AWG | 35 IN.-LBS. |



SKT/BKR BOTTOM VIEW

© 2015 Copyright Siemens Industry, Inc.

SIEMENS
Siemens Industry, Inc.

RAINPROOF COMBINATION METERING

Description:

SKT/BKR 200A 1P 2"

RB 6/19/15 DO NOT SCALE DRAWING Dwg No: MC0816B1200RTZ