

# SIEMENS

CATALOG NO. 3F3Y075GLN3HM100

SERIAL NO. SERIES H

75 kVA 60 Hz 3 PHASE

3.2 % IMP AT 150 °C

130 °C RISE 30 °C AVG. AMBIENT

220 °C TEMP CLASS 40 °C MAX. AMBIENT

PRIMARY ( H1 H2 H3 ) 480 V

SECONDARY( X1 X2 X3 ) 208Y/120 V

( ) )

NEUTRAL( X0(200%) )

WINDING MATERIAL CU ENERGY REGULATIONS

ENCLOSURE TYPE 3R SEE ACT SOR/94/651

WEIGHT 740 LBS SEE ACT SOR/2011-182

ELECTROSTATIC SHIELD ALSO VERIFIED IN ACCORDANCE TO ENERGY STANDARD 0902.2-12 BY UNDERWRITERS LABORATORIES, INC. © 3V46

MEETS NEMA TP-1 EFFICIENCY REQUIREMENT ALSO VERIFIED IN ACCORDANCE TO ENERGY STANDARD 0902.2-12 BY UNDERWRITERS LABORATORIES, INC. © 3V46

SOUND LEVEL IS 3 DB LOWER THAN NEMA SOUND LEVEL IS 3 DB LOWER THAN NEMA

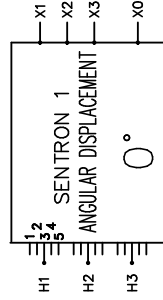
NEMA ClassANN Dry Type Harmonic Mitigating Transformer Siemens Industry, Inc. Norcross, GA

DRY TYPE TRANSFORMER TYPE K



7705 E112313 LR 3902

SUITABLE FOR INDOOR OR OUTDOOR LOCATIONS DO NOT INSTALL IN AREAS ACCESSIBLE TO PUBLIC FOR INSTALLATION SEE INSTRUCTION MANUAL



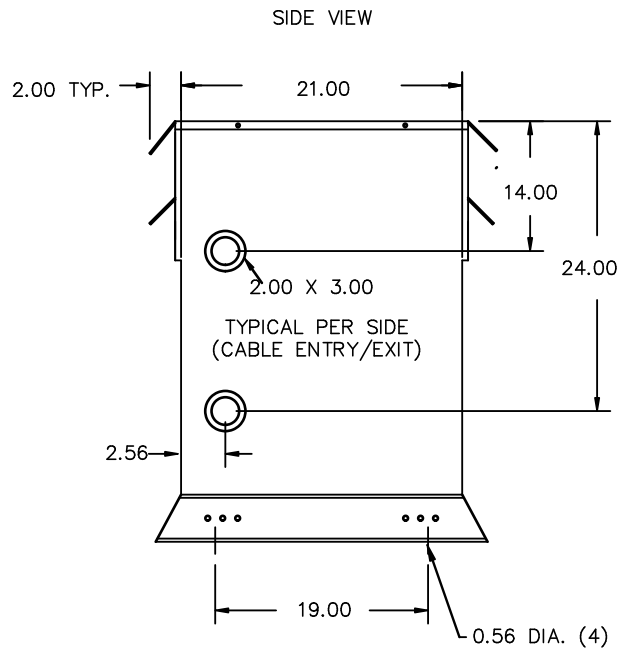
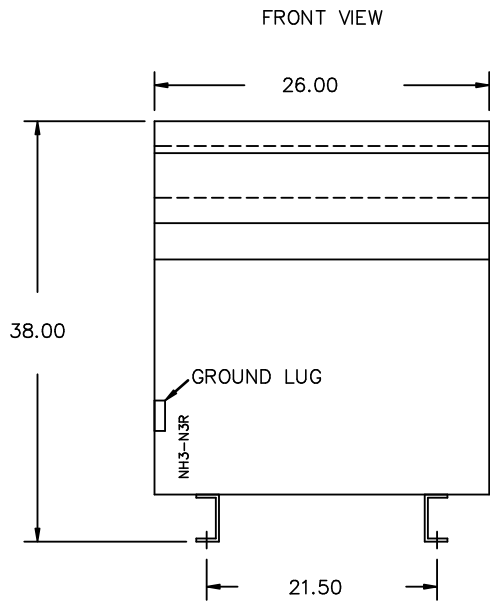
VOLTS	CONNECT
504	1
492	2
480	3
468	4
456	5



REVISION	DATE	BY	DATE	BY
		DRAWN	15/10/14	LC
		CHEK'D		
		VERIF'D		

CUSTOMER		
ORDER NO.	DWG. NO.	
	3F3Y075GLN3HM100	SH 1 OF 2

Confidential - Property of Siemens Industry, Inc.



All Dimensions in inches

ENCLOSURE COLOR :ANSI 61 GREY- OUTDOOR

H.V.1. TERMINAL DETAIL

L.V.1. TERMINAL DETAIL

MECHANICAL TYPE LUGS INCLUDED  
SUITABLE FOR #2/0-14 CU/AL  
CONDUCTORS  
1 CONDUCTOR PER PHASE

MECHANICAL TYPE LUGS INCLUDED  
SUITABLE FOR 600MCM-2 CU/AL  
CONDUCTORS  
1 CONDUCTOR PER PHASE

CUSTOMER NOTES:

- HV1 TERMINATED AT BOTTOM FRONT
- LV1 TERMINATED AT TOP COIL FACE
- 200% RATED NEUTRAL, 2X600MCM-#4, TERMINATED AT TOP FRONT

Confidential - Property of  
Siemens Industry, Inc.

REVISION	DATE	BY	DATE	BY	CUSTOMER
			DRAWN 15/10/14	LC	
			CHEK'D		
			VERIF'D		
				ORDER NO.	DWG. NO.
					3F3Y075GLN3HM100 SH 2 OF 2

0.3 Icon 2015/11/11 11:19