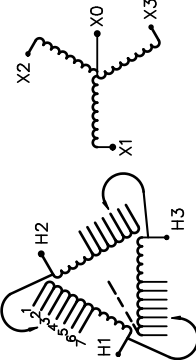


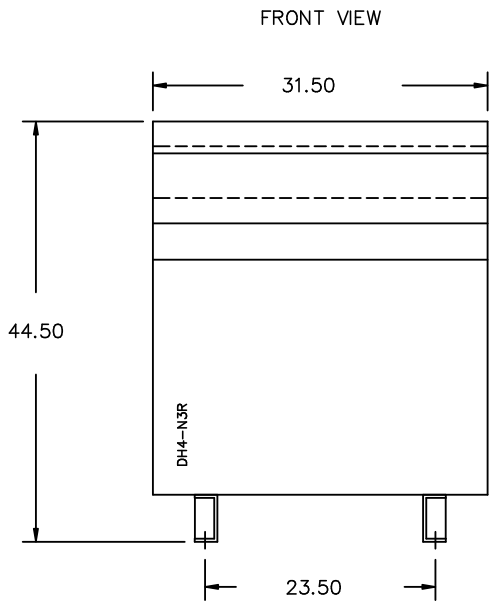
# SIEMENS

CATALOG NO. 3F5Y150CD16BA SERIAL NO. SERIES H 150 kVA 60 Hz 3 PHASE 4.2 % IMP AT 170 °C			
150 °C RISE 220 °C TEMP CLASS PRIMARY ( H1 H2 H3 ) SECONDARY( X0 X1 X2 X3 )	30 °C AVG. AMBIENT 40 °C MAX. AMBIENT 480 V 10 kV BIL 480Y/277 V 10 kV BIL	VOLTS 504 492 480 468 456 444 432	CONNECT 1 2 3 4 5 6 7
WINDING MATERIAL CU ENCLOSURE TYPE 3R WEIGHT 955 LBS ENERGY EFFICIENCY EXCEEDS CSA C802.2-2012 DOE 10 CFR PART 431:2016		TYPE K DRY TYPE TRANSFORMER 77UL E112313 LR 3902 LISTED SEISMIC QUALIFICATIONS, FLOOR MOUNT ONLY OSP-0136-10 IBC 2012/ASCE 7-10 SDS<=2.0g z/h=1 p=1.5	
SPACINGS BETWEEN ANY VENTILATED ENCLOSURE PANEL AND ANY ADJACENT WALL SHALL BE A MINIMUM OF 5 INCHES EXCEPT WHEN WALL MOUNTED USING APPROVED WALL MOUNTING KIT		SUITABLE FOR INDOOR OR OUTDOOR LOCATIONS BEFORE HANDLING, INSTALLING AND OPERATING; SEE INSTRUCTION MANUAL NEMA Class ANN Dry Type Transformer Siemens Industry, Inc. Norcross, GA c8u0086e	

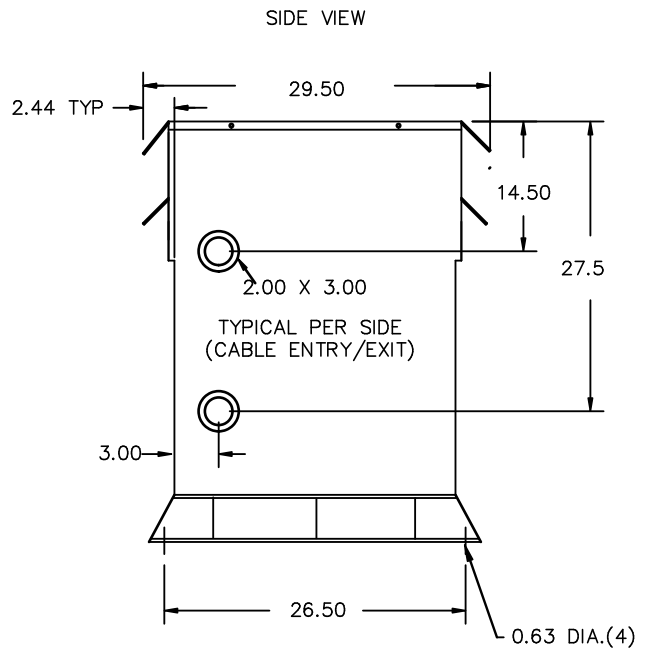


REVISION	DATE	BY	DATE	BY
		DRAWN	16/10/07	GP
		CHEK'D		
		VERIF'D		

Confidential - Property of <b>Siemens Industry, Inc.</b>	
CUSTOMER	
ORDER NO.	DWG. NO.
	3F5Y150CD16BA SH 1 OF 2



All Dimensions in inches



ENCLOSURE COLOR :ANSI 61 GREY – OUTDOOR

H.V.1. TERMINAL DETAIL

L.V.1. TERMINAL DETAIL

MECHANICAL TYPE LUGS INCLUDED  
SUITABLE FOR 350MCM-6 CU/AL  
CONDUCTORS  
1 CONDUCTOR PER PHASE

MECHANICAL TYPE LUGS INCLUDED  
SUITABLE FOR 350MCM-6 CU/AL  
CONDUCTORS  
1 CONDUCTOR PER PHASE

CUSTOMER NOTES:

- HV1 TERMINATED AT TOP FRONT
- LV1 TERMINATED AT BOTTOM FRONT

Confidential – Property of  
**Siemens Industry, Inc.**

REVISION	DATE	BY	DATE	BY
			16/10/07	GP
			CHEK'D	
			VERIF'D	

CUSTOMER	
ORDER NO.	DWG. NO.
	3F5Y150CD16BA
	SH 2 OF 2

0.1 gpatel 2016/10/07 11:58