

SIEMENS

CATALOG NO. 3F3Y075GLN3HM130

SERIAL NO. SERIES H

75 kVA 60 Hz 3 PHASE

3 % IMP AT 150 °C

130 °C RISE 30 °C AVG. AMBIENT

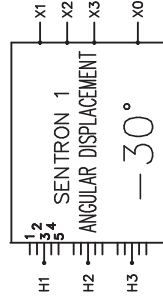
220 °C TEMP CLASS 40 °C MAX. AMBIENT

PRIMARY (H1 H2 H3) 480Y V

SECONDARY(X1 X2 X3) 208Y/120 V

())

NEUTRAL(X0(200%))



VOLTS CONNECT

- 504 1
- 492 2
- 480 3
- 468 4
- 456 5

WINDING MATERIAL CU ENERGY REGULATIONS

ENCLOSURE TYPE 3R

WEIGHT 740 LBS

ELECTROSTATIC SHIELD
MEETS NEMA TP-1 EFFICIENCY REQUIREMENT
SOUND LEVEL IS 3 DB LOWER THAN NEMA

SEE ACT SOR/94/651

SEE ACT SOR/2011-182

ALSO VERIFIED IN ACCORDANCE TO ENERGY STANDARD C802.2-12
BY UNDERWRITERS LABORATORIES, INC. © 3V46

ALSO VERIFIED IN ACCORDANCE TO ENERGY STANDARD C802.2-12
BY UNDERWRITERS LABORATORIES, INC. © 3V46

NEMA ClassANN Dry Type Harmonic Mitigating Transformer

Siemens Industry, Inc. Norcross, GA

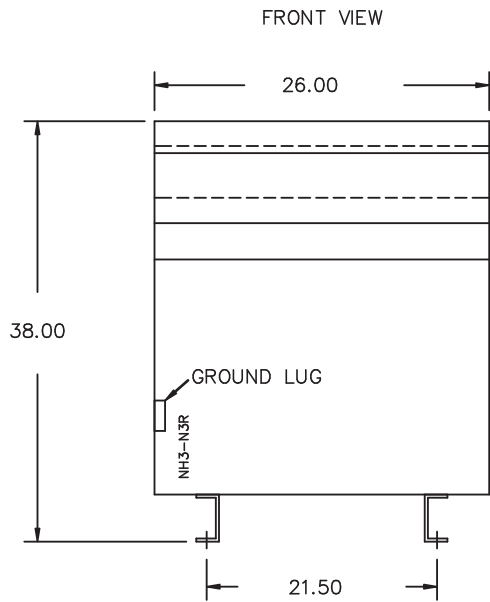
de00772e

Confidential - Property of
Siemens Industry, Inc.

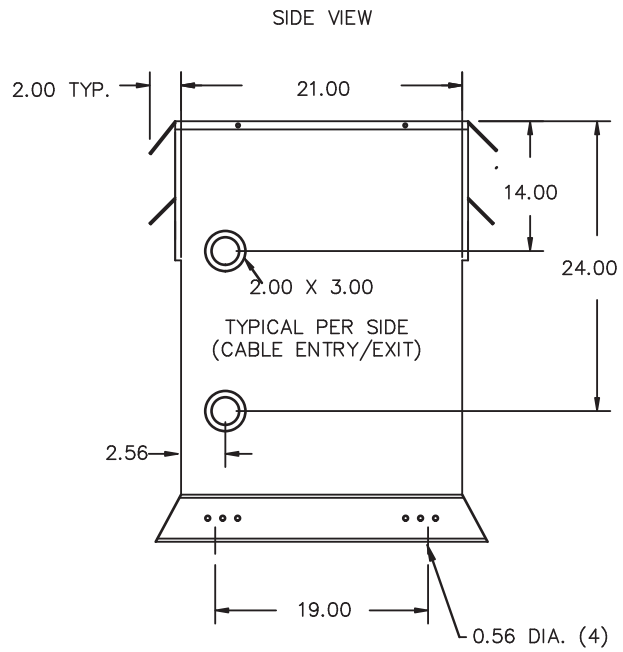
REVISION	DATE	BY	DATE	BY
		DRAWN	15/10/14	LC
		CHEK'D		
		VERIF'D		

CUSTOMER	
ORDER NO.	DWG. NO.
	3F3Y075GLN3HM130 SH 1 OF 2





All Dimensions in inches



ENCLOSURE COLOR :ANSI 61 GREY- OUTDOOR

H.V.1. TERMINAL DETAIL

L.V.1. TERMINAL DETAIL

MECHANICAL TYPE LUGS INCLUDED
SUITABLE FOR #2/0-14 CU/AL
CONDUCTORS
1 CONDUCTOR PER PHASE

MECHANICAL TYPE LUGS INCLUDED
SUITABLE FOR 600MCM-2 CU/AL
CONDUCTORS
1 CONDUCTOR PER PHASE

CUSTOMER NOTES:

- HV1 TERMINATED AT BOTTOM FRONT
- LV1 TERMINATED AT TOP COIL FACE
- 200% RATED NEUTRAL, 2X600MCM-#2, TERMINATED AT TOP FRONT

Confidential - Property of
Siemens Industry, Inc.

REVISION	DATE	BY	DATE	BY
			DRAWN 15/10/14	LC
			CHEK'D	
			VERIF'D	

CUSTOMER

ORDER NO.

DWG. NO.

3F3Y075GLN3HM130

SH 2 OF 2

0.3 Icon 2015/11/11 11:18