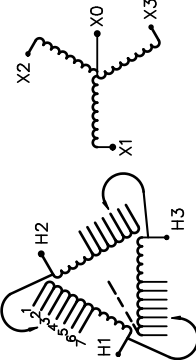




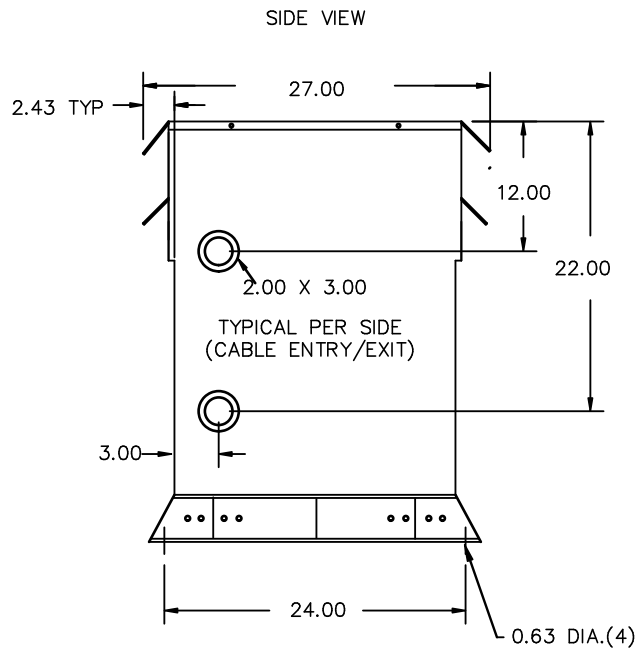
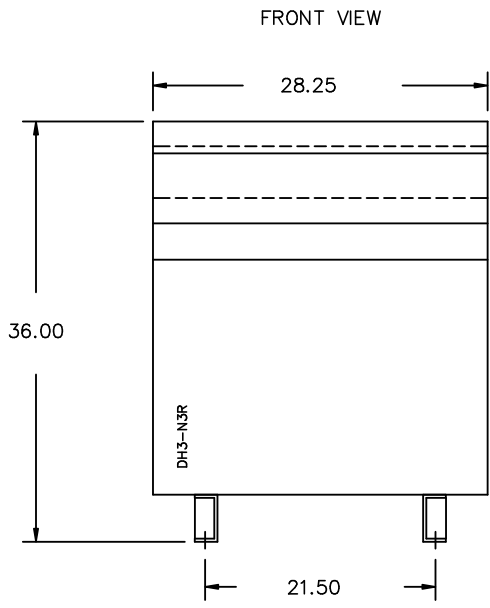
# SIEMENS

CATALOG NO. 3F3Y075CLN3D16BA SERIAL NO. SERIES H 75 kVA 60 Hz 3 PHASE 3.5 % IMP AT 170 °C			
150 °C RISE 220 °C TEMP CLASS PRIMARY ( H1 H2 H3 ) SECONDARY( X0 X1 X2 X3 )	30 °C AVG. AMBIENT 40 °C MAX. AMBIENT 480 V 10 kV BIL 208Y/120 V 10 kV BIL	VOLTS 504 492 480 468 456 444 432	CONNECT 1 2 3 4 5 6 7
WINDING MATERIAL CU ENCLOSURE TYPE 3R WEIGHT 610 LBS ENERGY EFFICIENCY EXCEEDS CSA C802.2-2012 DOE 10 CFR PART 431:2016		TYPE K   DRY TYPE TRANSFORMER SEISMIC QUALIFICATIONS, FLOOR MOUNT ONLY OSP-0136-10 IBC 2012/ASCE 7-10 SDS<=2.0g z/h=1 p=1.5	
SPACINGS BETWEEN ANY VENTILATED ENCLOSURE PANEL AND ANY ADJACENT WALL SHALL BE A MINIMUM OF 5 INCHES EXCEPT WHEN WALL MOUNTED USING APPROVED WALL MOUNTING KIT SOUND LEVEL IS 3 DB LOWER THAN NEMA ST20 REQUIREMENTS		SUITABLE FOR INDOOR OR OUTDOOR LOCATIONS BEFORE HANDLING, INSTALLING AND OPERATING, SEE INSTRUCTION MANUAL NEMA Class ANN Dry Type Transformer Siemens Industry, Inc. Norcross, GA <small>dsu0086e</small>	



REVISION	DATE	BY	DATE	BY
		DRAWN	16/11/07	GP
		CHEK'D		
		VERIF'D		

Confidential - Property of <b>Siemens Industry, Inc.</b>	
CUSTOMER	
ORDER NO.	DWG. NO.
	3F3Y075CLN3D16BA SH 1 OF 2



All Dimensions in inches

ENCLOSURE COLOR :ANSI 61 GREY – OUTDOOR

H.V.1. TERMINAL DETAIL

L.V.1. TERMINAL DETAIL

MECHANICAL TYPE LUGS INCLUDED  
SUITABLE FOR #2/0-14 CU/AL  
CONDUCTORS  
1 CONDUCTOR PER PHASE

MECHANICAL TYPE LUGS INCLUDED  
SUITABLE FOR 600MCM-2 CU/AL  
CONDUCTORS  
1 CONDUCTOR PER PHASE

CUSTOMER NOTES:

- HV1 TERMINATED AT TOP FRONT
- LV1 TERMINATED AT BOTTOM FRONT

Confidential – Property of  
**Siemens Industry, Inc.**

REVISION	DATE	BY	DATE	BY
		DRAWN	16/11/07	GP
		CHEK'D		
		VERIF'D		

CUSTOMER	
ORDER NO.	DWG. NO.
	3F3Y075CLN3D16BA SH 2 OF 2

0.0 gpatel 2016/11/07 10:24