

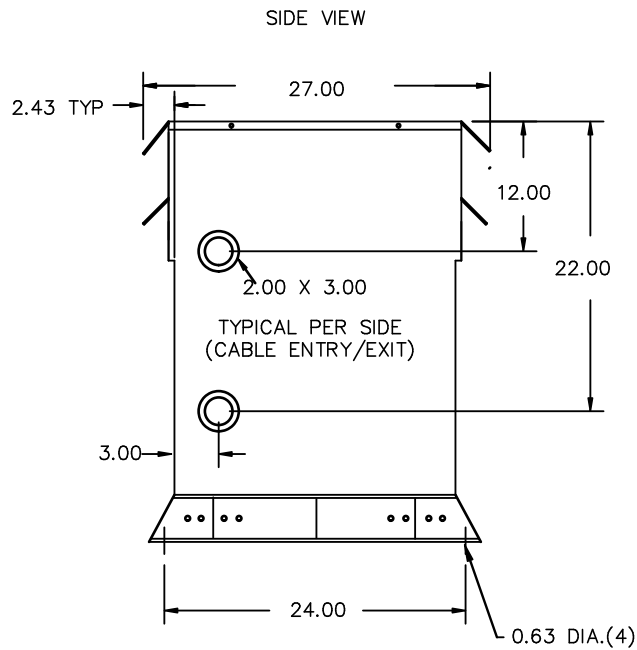
SIEMENS

| | | | |
|---|--|--|--|
| CATALOG NO. 3B5Y112CLN3D16BA SERIAL NO. SERIES H 112.5 kVA 60 Hz 3 PHASE 3.7 % IMP AT 170 °C | | <p>VOLTS CONNECT</p> <p>219 214 208 202 197 191 186</p> <p>1 2 3 4 5 6 7</p> | |
| 150 °C RISE 30 °C AVG. AMBIENT 220 °C TEMP CLASS 40 °C MAX. AMBIENT PRIMARY (H0 H1 H2 H3) 480Y/277 V 10 kV BIL SECONDARY(X1 X2 X3) 208 V 10 kV BIL | WINDING MATERIAL CU ENCLOSURE TYPE 3R WEIGHT 790 LBS ENERGY EFFICIENCY EXCEEDS CSA 802.2-2012 DOE 10 CFR PART 431:2016 | TYPE K LISTED DRY TYPE TRANSFORMER 77UL E112313 LR 3902 SEISMIC QUALIFICATIONS, FLOOR MOUNT ONLY OSP-0136-10 IBC 2012/ASCE 7-10 SDS<=2.0g z/h=1 lp=1.5 | |
| SPACINGS BETWEEN ANY VENTILATED ENCLOSURE PANEL AND ANY ADJACENT WALL SHALL BE A MINIMUM OF 5 INCHES EXCEPT WHEN WALL MOUNTED USING APPROVED WALL MOUNTING KIT SOUND LEVEL IS 3 DB LOWER THAN NEMA ST20 REQUIREMENTS TRANSFORMER SUITABLE FOR STEP UP OPERATION ONLY | | SUITABLE FOR INDOOR OR OUTDOOR LOCATIONS BEFORE HANDLING, INSTALLING AND OPERATING; SEE INSTRUCTION MANUAL NEMA Class ANN Dry Type Transformer Siemens Industry, Inc. Norcross, GA 68u0086e | |



| REVISION | DATE | BY | DATE | BY |
|----------|------|---------|----------|----|
| | | DRAWN | 16/11/07 | GP |
| | | CHEK'D | | |
| | | VERIF'D | | |

| | |
|---|----------------------------|
| Confidential - Property of Siemens Industry, Inc. | |
| CUSTOMER | |
| ORDER NO. | DWG. NO. |
| | 3B5Y112CLN3D16BA SH 1 OF 2 |



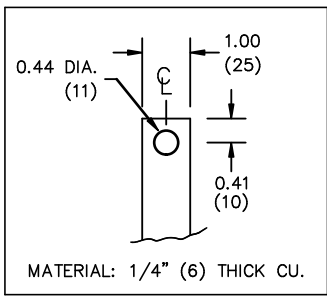
All Dimensions in inches

ENCLOSURE COLOR :ANSI 61 GREY – OUTDOOR

H.V.1. TERMINAL DETAIL

L.V.1. TERMINAL DETAIL

MECHANICAL TYPE LUGS INCLUDED
SUITABLE FOR 250MCM-6 CU/AL
CONDUCTORS
1 CONDUCTOR PER PHASE



CUSTOMER NOTES:

- HV1 TERMINATED AT BOTTOM FRONT
- LV1 TERMINATED AT TOP FRONT

Confidential – Property of
Siemens Industry, Inc.

| REVISION | DATE | BY | DATE | BY |
|----------|------|----|----------|----|
| | | | 16/11/07 | GP |
| | | | | |
| | | | | |

| | |
|-----------|----------------------------|
| CUSTOMER | |
| ORDER NO. | DWG. NO. |
| | 3B5Y112CLN3D16BA SH 2 OF 2 |

0.0 gpatel 2016/11/07 10:29