

|          |      |         |          |    |
|----------|------|---------|----------|----|
| REVISION | DATE | BY      | DATE     | BY |
|          |      |         | 16/11/16 | RB |
|          |      | CHEK'D  |          |    |
|          |      | VERIF'D |          |    |

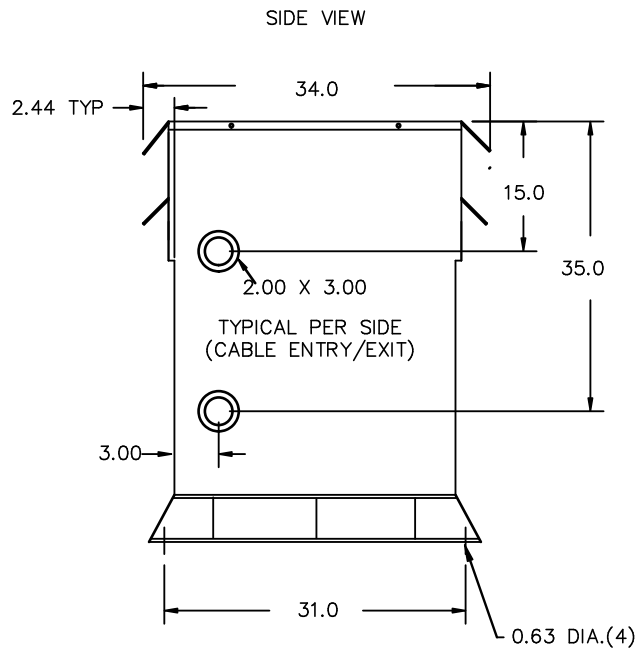
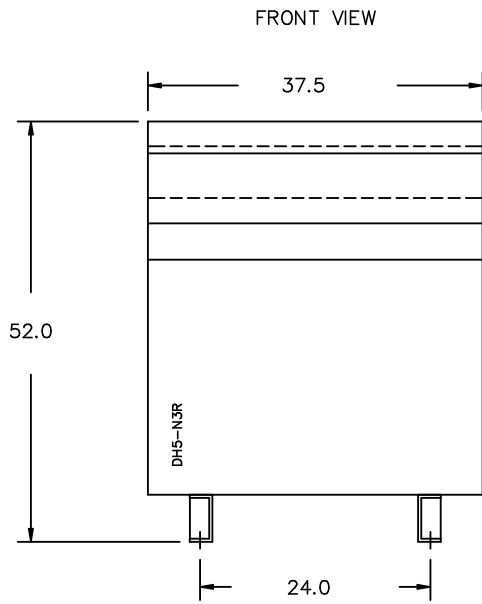
|           |                |
|-----------|----------------|
| CUSTOMER  |                |
| ORDER NO. | DWG. NO.       |
|           | 3B5S300CLN3D16 |
| SH 1 OF 2 |                |

Confidential - Property of  
Siemens Industry, Inc.

# SIEMENS

|   |  |  |   |
|---|--|--|---|
| CATALOG NO. 3B5S300CLN3D16<br>SERIAL NO. SERIES H<br><b>300</b> kVA <b>60</b> Hz <b>3</b> PHASE<br><b>5.4</b> % IMP AT <b>170</b> °C  |  |  | TYPE K<br>DRY TYPE TRANSFORMER<br>77UL E112313<br><b>LISTED</b><br>SEISMIC QUALIFICATIONS, FLOOR MOUNT ONLY<br>OSP-0136-10 IBC 2012/ASCE 7-10<br>SDS<=2.0g z/h=1 Ip=1.5 |
| 150 °C RISE °C AVG. AMBIENT<br>220 °C TEMP CLASS °C MAX. AMBIENT<br>PRIMARY ( H0 H1 H2 H3 ) 480Y/277V V 10 kV BIL<br>SECONDARY( X1 X2 X3 ) 208V V 10 kV BIL<br>WINDING MATERIAL CU<br>ENCLOSURE TYPE 3R WEIGHT 1900 LBS<br>ENERGY EFFICIENCY CEE ACT SOR/2011-182 DOE 10 CFR PART 431:2016    |  |  |   |
| SPACINGS BETWEEN ANY VENTILATED ENCLOSURE PANEL AND ANY ADJACENT WALL SHALL BE A MINIMUM OF 5 INCHES EXCEPT WHEN WALL MOUNTED USING APPROVED WALL MOUNTING KIT SOUND LEVEL 3 DB BELOW NEMA ST-20 ALSO VERIFIED IN ACCORDANCE TO ENERGY STANDARD C802.2-12 UNDERWRITERS LABORATORIES INC. 3VJ6 |  |  |   |
| SUITABLE FOR INDOOR OR OUTDOOR LOCATIONS BEFORE HANDLING, INSTALLING AND OPERATING; SEE INSTRUCTION MANUAL<br>NEMA Class ANN Dry Type Transformer Siemens Industry, Inc. Norcross, GA dsu0086e  |  |  |   |

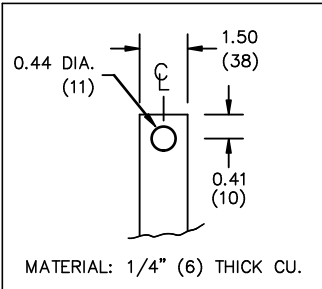




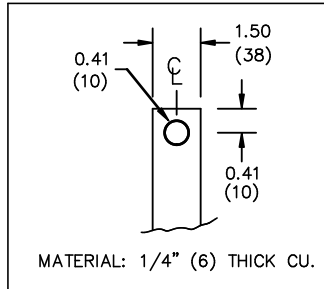
All Dimensions in inches

ENCLOSURE COLOR :ANSI 61 GREY – OUTDOOR

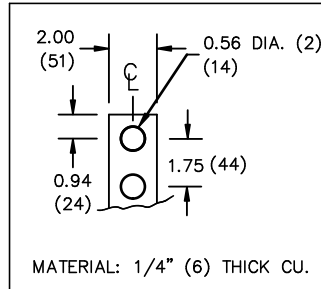
HV TERMINAL DETAIL



HO TERMINAL DETAIL



LV TERMINAL DETAIL



CUSTOMER NOTES:

- HV TERMINATED AT BOTTOM FRONT
- HO TERMINATED AT BOTTOM FRONT
- LV TERMINATED AT TOP FRONT

Confidential – Property of  
Siemens Industry, Inc.

| REVISION | DATE | BY | DATE     | BY |
|----------|------|----|----------|----|
|          |      |    | 16/11/16 | RB |
|          |      |    |          |    |
|          |      |    |          |    |

|           |                |
|-----------|----------------|
| CUSTOMER  |                |
| ORDER NO. | DWG. NO.       |
|           | 3B5S300CLN3D16 |
|           | SH 2 OF 2      |

0.3 rbratia 2016/11/16 08:36