

THIS DRAWING IS THE PROPERTY OF SIEMENS INDUSTRY, INC. AND CONTAINS PROPRIETARY AND CONFIDENTIAL INFORMATION WHICH MUST NOT BE DUPLICATED, USED OR DISCLOSED OTHER THAN AS EXPRESSLY AUTHORIZED BY SIEMENS INDUSTRY, INC.

R	CN	O	115	1	296	L	321	SA	88
BY	WJN	3-11-88	CHK	4-14-88	APP				

NOTE:

- Torque Values: Alum. 50 in-lbs.; Copper 72 in-lbs.
- Fasten switch to Z-Rail with captive 1/4-20 screws.

For Fusible Switch Cat. Nos:
 V7H2205, V7H2206, V7H3205, V7H3206, V7H2605, V7H2606, V7H3605, V7H3606

⚠ DANGER
 Hazardous voltage. Will cause death or serious injury.
 Keep out. Qualified personnel only. Disconnect and lock off all power before working on this equipment.

VACU-BREAK MOUNTING SERIES 6 BRANCH BUS KIT 15" SINGLE UNIT	11-5075-00 DWG. NO.	3 REV.
---	------------------------	-----------

Apvd	ITEM	DESCRIPTION	PC. NO.	QTY.
SH 5-22-95	1	FUSIBLE SWITCH	CAT. NO. *	1
	2	STRAP-BUS HARDWARE KIT	11-B-2022-05	1
	3	NEUTRAL LUG ASSEMBLY	12-B-2105-08	1
	4			
	5			
	6			
	7			
	8			
	9			
	10			
	11			
	12			
	13			
	14			
	15			
	16			
	17			
	18			
	19			
	20			
	21			
	22			
	23			
	24			
	25			
	26			
	27			
	28	SERIES 5 CONVERSION KIT	11-5570-01	1
	29	INSTRUCTION SHEET	31-1159-01	1
	30	CARTON LABEL	15-A-1027-01	1
	31	CARTON	48000989	1
	32			
	33			
	34			
	35			
	36			
	37			
	38			
Revisions O: 1B-908 41E-166B 12-11-09	39	* FOR FUSIBLE SWITCH CAT. #'S. V7H2205, V7H2206, V7H3205, V7H3206, V7H2605, V7H2606, V7H3605, V7H3606		
11C-831A 4-12-04	40			
21C-831B 7-25-06	41			
31E-053A 1-10-07	42			
Chk SH 5-22-95	43			
By RAW 5-22-95	44	MERCHANDISE KIT NO. VB6150		

Confidential - property of Siemens Industry, Inc. Norcross, GA	VACU-BREAK MOUNTING SERIES 6 BRANCH BUS KIT	11-5075-02 Dwg No.
	Title	Sht. 1 Of 1
		4 Rev.

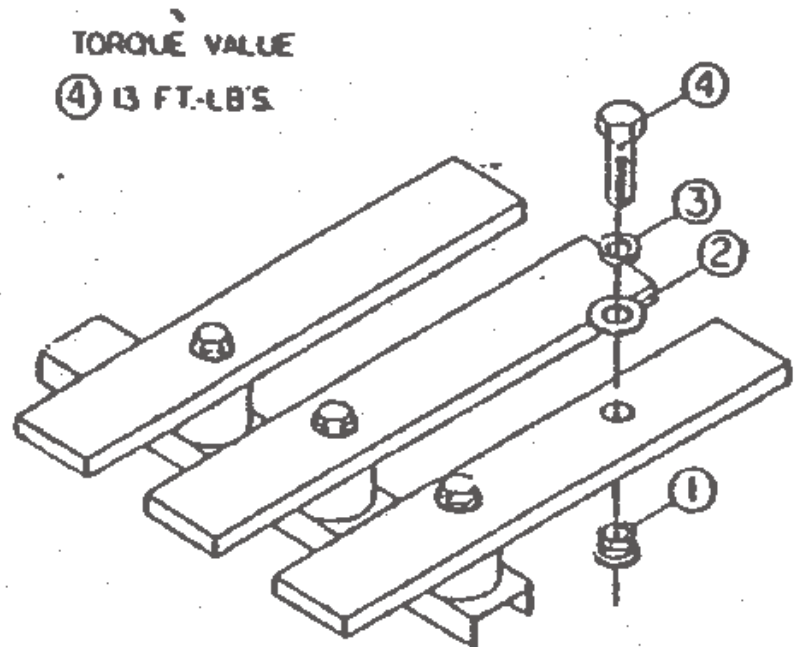
FOR USE WITH 15.0" SINGLE UNITS ON SERIES 5 OR 6 DISTRIBUTION SECTIONS, CDP-5, CDP-6, VB-5, VB-6, FCI, FCII, SB1, SB2 & SB3.

IF EXISTING EQUIPMENT IS TYPE CDP-5, VB-5, OR FC20 THE VERTICAL BUS WILL BE PRE-PUNCHED WITH .406 DIAMETER HOLES, IN THESE CASES USE SERIES 5 ADAPTOR KIT FURNISHED WITH THIS KIT. SEE REVERSE SIDE FOR INSTRUCTIONS.

31-1159-01 Rev. 3

Siemens Industry, Inc. Norcross, GA

CAT. NO. VB6150



⚠ DANGER
 Hazardous voltage. Will cause death or serious injury.
 Keep out. Qualified personnel only. Disconnect and lock off all power before working on this equipment.

Apvd	ITEM	DESCRIPTION	PC. NO.	QTY.
DSH 6-15-92	1	5/16 INSERT	11-1620-04	6
	2	5/16 FLAT WASHER	11-1615-06	6
	3	5/16 LOCK WASHER	11-1618-04	6
	4	5/16-18 X 1 1/4 HHMS	11-1566-07	6
	5	FAST LATCH SCREW BAG	11-A-1821-01	1
	6	ID CARD	31-1160-01	1
	7			
	8			
	9			
	10			
	11			
	12			
	13			
	14			
	15			
	16			
	17			
	18			
	19			
	20			
	21			
	22			
	23			
	24			
	25			
	26			
	27			
	28			
	29			
	30			
	31			
	32			
	33			
	34			
Revisions O: 681	35	For use in adapting Series 6 Mounting Kits to be used in Series 5 type panel construction.		
1: 1B-362 6-5-92	36			
2: 1B-359 11-11-92	37	Series 5 construction has .406 dia. holes in interior horizontal bus.		
3: 1C-286 4-19-99	38			
Chk DSH 6-5-92	40	(1) Use 5/16-18 insert in bus being certain that flange on insert is pulled up flush with back of bus bar.		
By RM 6-15-83	42			
	43	(2) Drill out appropriate holes in branch bus minimum of .344 dia. to accommodate 5/16-18 bolts.		
	44			

Confidential - property of Siemens Industry, Inc. Norcross, GA	SERIES 5 ADAPTOR KIT	11-5570-01 Dwg No.
	Title	Sht. 1 Of 1
		3 Rev.

FOR USE WITH 15.0" SINGLE UNITS ON SERIES 5 OR 6 DISTRIBUTION SECTIONS, CDP-5, CDP-6, VB-5, VB-6, FCI, FCII, SB1, SB2 & SB3.

IF EXISTING EQUIPMENT IS TYPE CDP-6, VB-6, FCI OR FCII THE VERTICAL BUS WILL BE PRE-PUNCHED WITH .228 DIAMETER HOLES. IN THESE CASES USE SERIES 6 BRANCH BUS PARTS LIST ON REVERSE SIDE.

CAT. NO. VB6150