

Power Panel Kit (P4, P5) SMBKLG, SMBKLG1D for Main Mounting Type VL JG, LG Frame Breakers

Installation
Instructions

This device/system may only be set up and used in conjunction with these instructions. Installation, maintenance and operation of this device/system may only be performed by **qualified personnel**. Within the context of these instructions, qualified persons are defined as persons who have the skills and knowledge related to the construction and operation of the electrical equipment and installations and have received safety training to recognize and avoid the hazards involved.

11-D-1022-01 REV. 1

Installation Instructions

The following instructions are for the installation of Siemens VL JG & LG Frame electronic-trip breakers in a shallow/deep type panelboards (P4, P5) as a Main. The parts provided in this kit are for connections to a 3-phase / 4-wire system.



1. Lock off power supplying this equipment before working on it.
2. Reference fig. 1 - Remove the (2) gutter covers, deadfront and all cover plates.

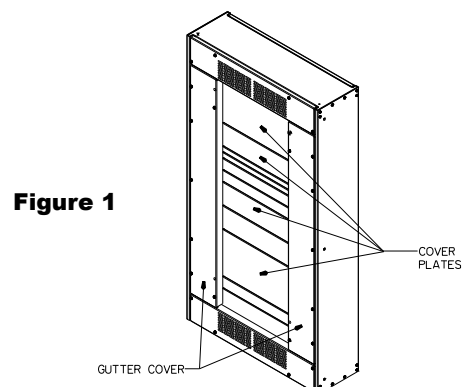


Figure 1

3. Reference fig. 2 - To locate mounting position of a VL JG & LG Frame main breaker, measure 15" from the top (or bottom for bottom feed applications) of Z-rail and mark position on Z-rail. The marked position acts as top (or bottom) of unit space for the strap assembly as shown in fig. 3.

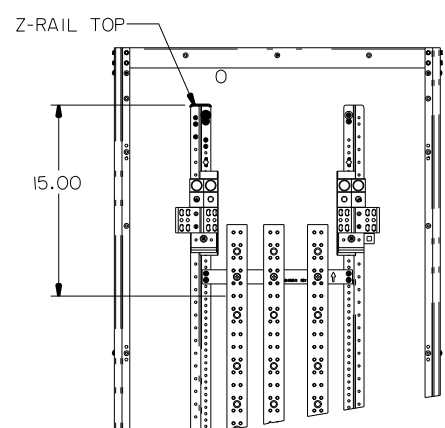


Figure 2

4. Open the shipping box and check the contents against the following list:

ITEM	DESCRIPTION	QTY.
1	1/4-20 X 1-1/4" SHWHSW	8
2	1/4-20 X 1/2" SHWHSW	2
3	1/4-20 X 3 3/4" SRHMS	2
4	1/4-20 X 3/8" SHWHSW	4
5	5/16-18 x 3/4" HEX HEAD BOLT	3
6	5/16N WASHER	3
7	BREAKER MOUNT	1
8	CARD HOLDER	1
9	CIRCUIT ID CARD	1
10	COVER PLATE - VL J. L FRAME MAIN W/ETU	1
11	HELICAL SPRING LOCKWASHER	3
12	JG & LG INSTALLATION INSTRUCTIONS	1
13	JG/LG CENTER CONNECTOR	1
14	JG/LG LONG CONNECTOR	1
15	JG/LG SHORT CONNECTOR	1
16	PLASTIC TREE RIVET	1
17	SINGLE MOUNT JG/LG BARRIER	1

5. Reference fig. 3 - Installing the strap assembly for left-feed applications (Flip assembly for right-feed applications). Locate two 0.228" diameter holes on the section bus, 1-1/4" down from the top of the 6-1/4" of unit space selected. Insert two 1/4-20 X 1-1/4" thread-forming screws (item 1) through the two holes in the long connector (item 14) and then into the 0.228" diameter holes in the section bus and tighten. Locate two 0.228" diameter holes 2.5" down from the top of the unit space and mark on Z-rail. Align the outer edge of the center connector (item 13) with the outer edge of the long connector. Insert four 1/4-20 X 1-1/4" screws (item 1) through the center connector (item 13) into the section bus using the Z-rail mark as the top (for top feed) or bottom (for bottom feed) hole location and tighten. Locate two 0.228" diameter holes 5.0" down from the top of the unit space and mark on Z-rail. Align the outer edge of the short connector (item 15) with the outer edge of the center connector. Insert two 1/4-20 X 1-1/4" screws (item 1) through the center connector (item 13) into the 0.228" holes in the section bus aligned with the 5.0" mark and tighten. Torque the screws as specified on the rear of the deadfront.

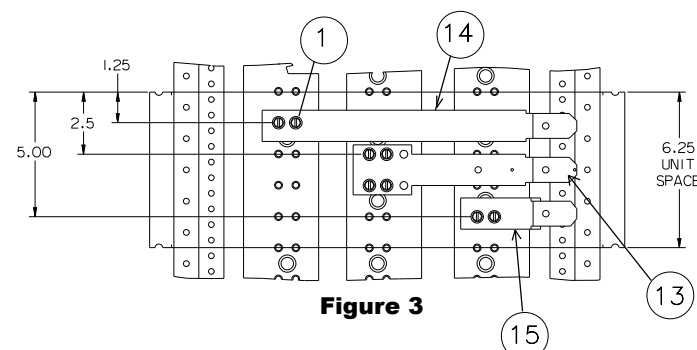


Figure 3

6. Reference fig. 4 - Installing the breaker mount. Locate one 0.228" hole on the Z-rail 1-7/8" down from the top of the 6-1/4" of unit space selected. Orient the breaker mount (item 7) as shown in fig. 4. Insert one 1/4-20 X 1/2" screw (item 2) through the hole in the breaker mount and then into the 0.228" hole in the Z-rail and tighten securely. Insert another 1/4-20 X 1/2" (item 2) screw through the second 0.312" diameter hole in the mounting bracket and then into the 0.228" diameter hole in the Z-rail and tighten securely.

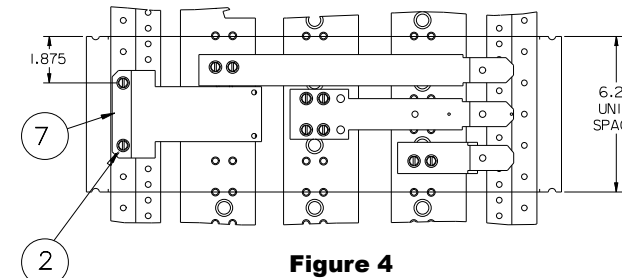


Figure 4

7. Reference fig. 5 - Installing the barrier. Insert the plastic tree rivet (item 16) through the 0.25" hole in the barrier (item 17) and then through the medium phase connector (item 13) orienting as shown in fig. 5 and push for a tight fit.

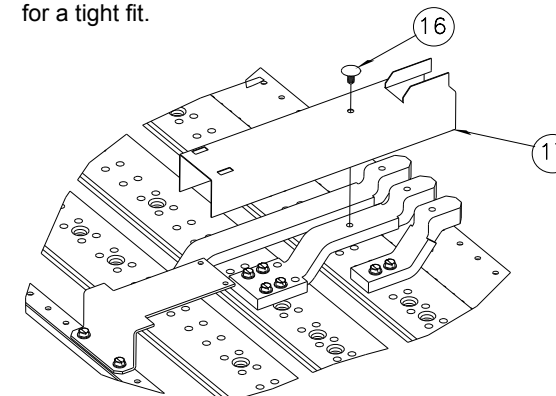


Figure 5

Deep Kit
Reference

8. Reference fig. 6 - Installing the breaker. Insert three 5/16-18 X 3/4" hex-head bolts (item 5) along with three lock washers (item 11) and three flat washers (item 6) through each of the three contacts on the load side of the breaker and into the tapped hole at the end of the three phase connectors. Insert two 1/4-20 X 3-3/4" Screws (item 3) into the two holes toward the other end of the Breaker and into the two 0.228" diameter holes in the Breaker Mounting Bracket (item 7) and tighten securely. Torque the 5/16-18 hardware as specified on the rear of the deadfront.

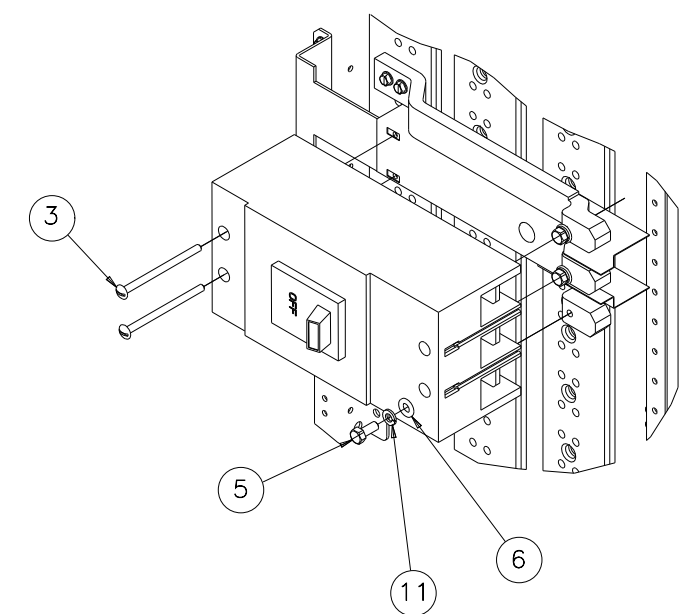


Figure 6

9. Re-install the deadfront. Attach breaker cover plate (item 10) on deadfront over main breaker.