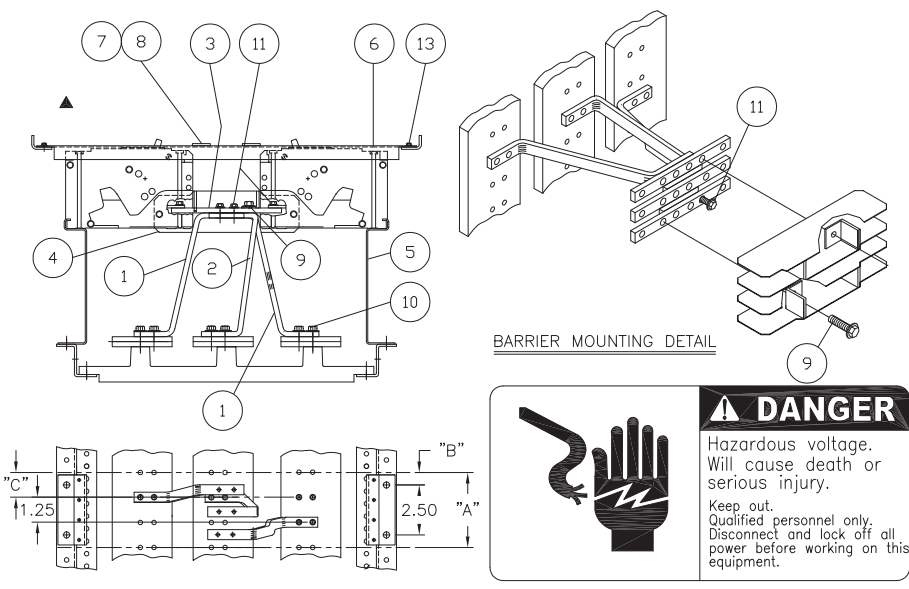


Third Angle Proj
 Rev. 10
 Snt 1
 Dwg. No. 11-5079-00



⚠ DANGER
 Hazardous voltage.
 Will cause death or serious injury.
 Keep out.
 Qualified personnel only.
 Disconnect and lock off all power before working on this equipment.

LOCATION DIMENSIONS

BOM.NO.	"A"	"B"	"C"
-01	3.75	0.63	1.25
-02	6.25	1.88	2.50

TORQUE VALUES

10	50 in.-lbs. AL.
	72 in.-lbs. CU.
11	30 in.-lbs. AL.
	50 in.-lbs. CU.

E-2-4-& 6 FRAME BRANCH BREAKER
 15-125 AMPERE
 DOUBLE MOUNTING

FOR I.T.E. TYPE BREAKERS:
 E2, E4, E6, HE4, HE6
 E2-A, E4-A, E6-A, HE4-A, HE6-A
 E2, ED4, ED6, HED4, HED6

10	1C-381A	8-30-00
9	1C-267A	1-15-00
8	1B-908	4-20-95
7	8A093	7-14-88
6	CN:622	
5	CN:557	
4	CN:554	
3	CN:440	
2	CN:416	

1	CN:319	0	272	4-19-82
Rev	C.N.	Down	DB	Date
		Chk	RHR	Date 1-11-00
		Apvd	RHR	Date 1-4-00

Confidential - Property of
Siemens Industry, Inc.
 Norcross, GA

ED2, ED4, & ED6 MOUNTING
 SERIES 6 BRANCH BUS

Dwg No. **11-5079-00** Rev. **10**

Scale NONE Sheet 1 of 1

Apvd	SH	ITEM	DESCRIPTION	PC. NO.	QTY.
5-17-95		1	E2-4-6 PHASE AC BRANCH BUS	11-7140-01	2
		2	E2-4-6 PHASE B BRANCH BUS	11-7141-01	1
		3	E2-4-6 LINE CONNECTOR	11-7138-01	3
		4	INTERPHASE BARRIER	15-7505-01	2
		5	E2-4-6 MOUNTING BRACKET	15-B-3014-02	2
		6	3.750 E2-4-6 COVER PLATE	12-6024-01	1
		7	CIRCUIT I. D. CARD	11-7505-01	2
		8	CARD HOLDER	11-7506-01	2
		9	1/4-20 X 3/8 SHWHSW	11-1553-02	2
		▲ 10	STRAP-BUS HARDWARE KIT	11-B-2022-05	1
		11	10-24 X 5/8 ISHWHSW	11-1576-07	12
		12			
		13	1/4-20 X 5/8 SHWHSW	11-1553-06	8
		14	NEUTRAL LUG ASSEMBLY	12-B-2105-01	1
		15			
		16	BLANK FILLER	12-5531-09	2
		17			
		18			
		19			
		20			
		21			
		22			
		23			
		24			
		25			
		26			
		27			
		28	INSTRUCTION SHEET	31-1215-01	1
		29	CARTON LABEL	15-A-1027-01	1
		30	CARTON	48001056	1
		31			
		32			
		33			
		34	ED FRAME BRANCH BREAKER		
		35	15-125 AMPERE		
		36			
		37	FOR BREAKER TYPES: ▲		
		38	E2, E4, E6, HE4, HE6		
		39	E2-A, E4-A, E6-A, HE4-A, HE6-A		
		40	ED2, ED4, ED6, HED4, HED6		
		41			
		42			
		43			
		44	MERCHANDISE KIT NO. SE6D		
Revisions 0: 1B-908 4:1C-381A 8-30-00 1: 1C-155B 08-13-97 5:1C-831A 4-12-04 2: 1C-206 01-26-98 6:1C-831B 7-25-06 3: 1C-267A 1-7-00 7:1E-166B 12-11-09					
Chk	SH				
5-17-95					
By	RAW				
5-17-95					
Confidential - property of Siemens Industry, Inc. Norcross, GA		ED2-4-6 MOUNTING, S5 COPPER BRANCH BUS Title		11-5079-06 Dwg No.	
				Sht. 1 Of 1 Rev. 7	

FOR USE WITH ED2, ED4, ED6, HED4 AND HED6 FRAME BREAKERS
 MOUNTED IN SPP/FPP/S5/F2/P5 PANELBOARDS (DEEP BOX).