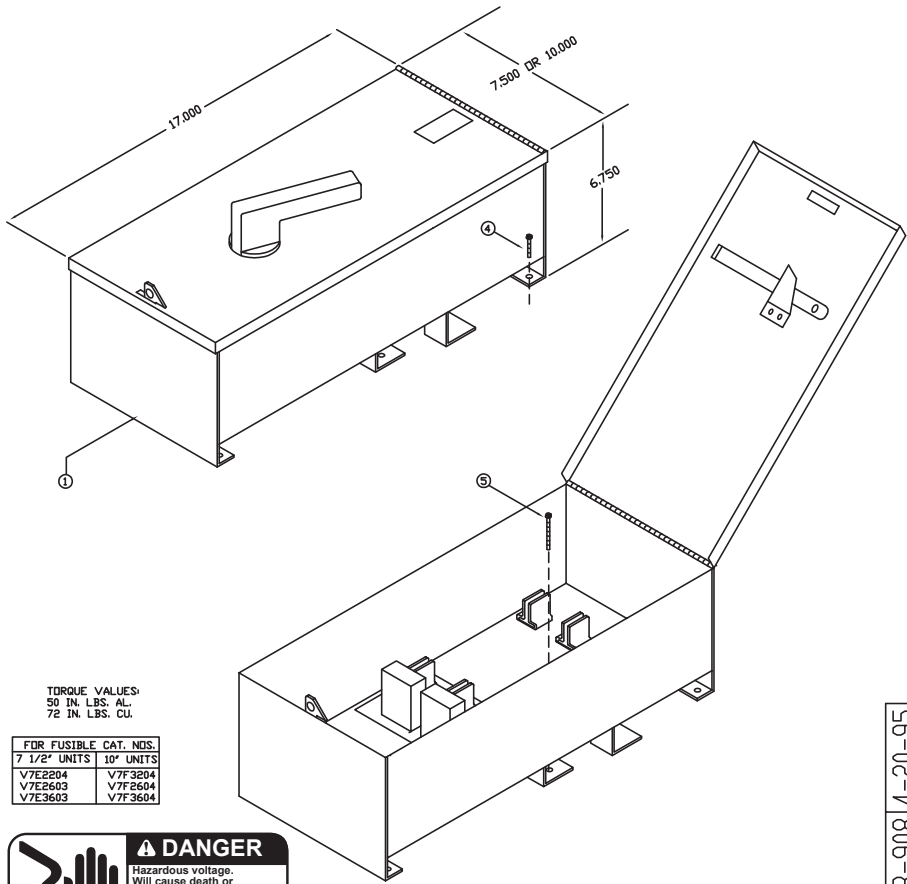


THIRD ANGLE PROJ.  
REV 1  
SHT 1  
DWG. NO. 11-B-2002-00

AUTOCAD FILENAME:



TORQUE VALUES:  
50 IN. LBS. AL.  
72 IN. LBS. CU.

FDR FUSIBLE CAT. NOS.	
7 1/2" UNITS	10" UNITS
V7E2204	V7F3204
V7E2603	V7F2604
V7E3603	V7F3604



2 1B-908 4-20-95

1	1A-280	11-12-90	UNLESS OTHERWISE SPECIFIED DIMENSIONS ARE IN INCHES TOLERANCES ARE NON-CUMULATIVE AND ARE AS FOLLOWS UNLESS SPECIFIED OTHERWISE. .XX ± .030 .XXX ± .015 ANGULAR ± 2° DO NOT SCALE DRAWING	CONFIDENTIAL - PROPERTY OF <b>Siemens Industry, Inc.</b> Norcross, GA	VACU-BREAK MOUNTING - SENTRON ▲ F1 - BRANCH KIT 7.500" & 10.000" SINGLE UNIT
0	1A-036	8-26-88			
REV	C.N.	DATE	DWN LP	DATE 3-19-88	DWG NO. 11-B-2002-00
	CHK	JC	DATE 9-19-88	SCALE	NONE
	APVD	SH	DATE 9-19-88	SHEET	1 OF 1
					REV. 2

FOR USE WITH 10" HIGH SINGLE UNITS MOUNTED IN SPP/FPP/S4/F1/P4 PANELBOARDS (SHALLOW BOX).

Apvd PM	ITEM	DESCRIPTION	PC. NO.	QTY.
11-30-90	1	FUSIBLE SWITCH	SEE CAT. NO.	1
	2			
	3			
	4	1/4-20 X 3/8 SHHWSW	11-1553-02	4
	5	STRAP-BUS HARDWARE KIT	11-B-2022-05	1
	6			
	7	NEUTRAL LUG ASSEMBLY	12-B-2105-05	1
	8	INSTRUCTION SHEET	11-B-1004-01	1
	9	CARTON LABEL	15-A-1027-01	1
	10	CARTON	48000989 ▲	1
	11			
	12			
	13			
	14			
	15			
	16			
	17			
	18			
	19			
	20			
	21			
	22			
	23			
	24			
	25			
	26			
	27			

Revisions: 01A-036 9-13-88 4: 1B-908 4-17-95 1: 1A-064 2-10-89 5: 1C-831A 4-12-04 2: 1A-280 11-30-90 6: 1C-831B 7-24-06 3: 1A-232 03-12-91 7: 1E-053A 1-10-07	VACU-BREAK CAT. NO.: 10" UNITS: V7E3204 V7E2604 V7E3604
Chk SH 11-30-90 By MC 11-20-90	FOR (SHALLOW) PANELBOARDS MERCHANDISE KIT NO. F671
Confidential - property of Siemens Industry, Inc. Norcross, GA	VACU-BREAK MOUNTING KIT F1 SINGLE MOUNT 10" UNIT Title
	11-B-2002-04 Dwg No.
	Sht. 1 Of 1
	Rev. 7