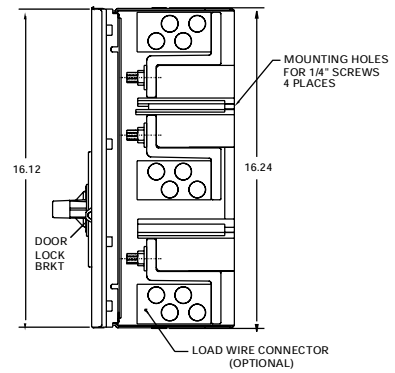
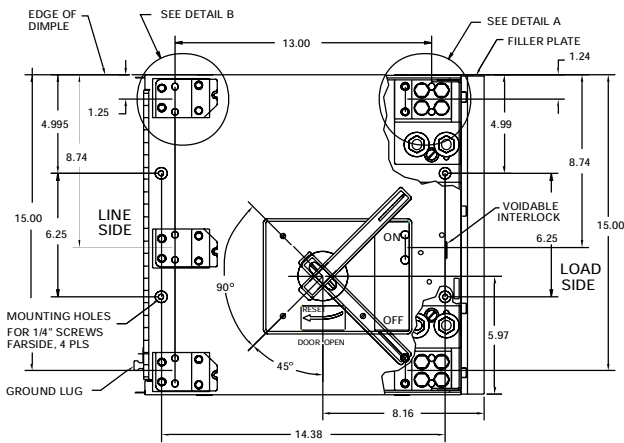
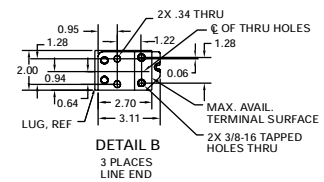
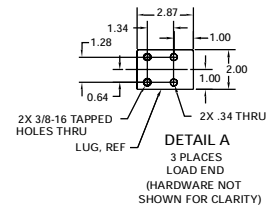
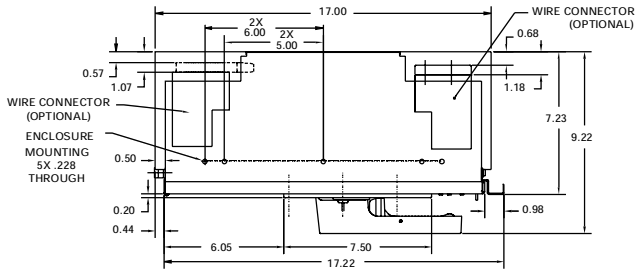
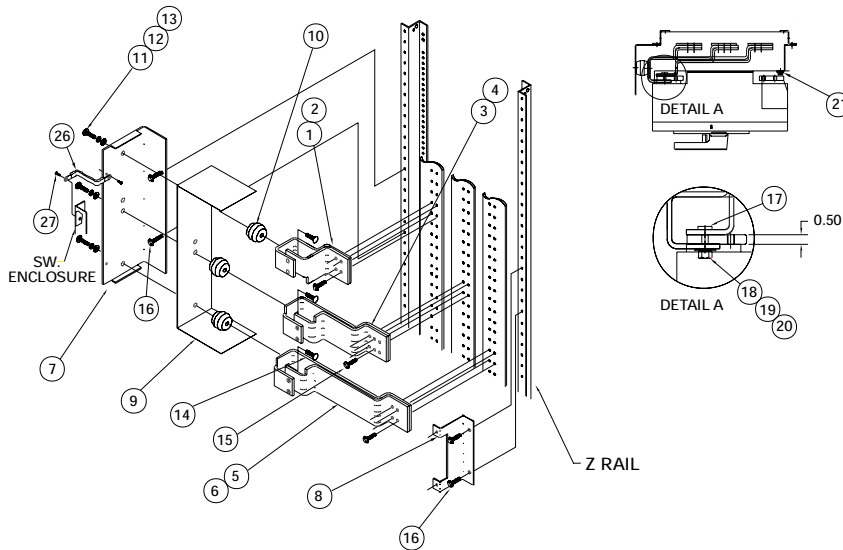


Horizontal Mount Drawing



Group Mounting Assembly (Horizontal Mount Only)



| Item | Parts Supplied in Connection Strap Kit Cat. No. F6162D | Qty. |
|------|--|------|
| 1-2 | A/C Ø Strap (Short) | 1ea. |
| 3-4 | B Ø Strap | 1ea. |
| 5-6 | A/C Ø Strap (Long) | 1ea. |
| 7-8 | Switch Mounting Bracket | 1ea. |
| 9 | Insulation | 1 |
| 10 | 1-3/8" Insulator | 3 |
| 11 | 3/8-16 X 3/4" HHMS | 3 |
| 12 | 3/8" Lock Washer | 3 |
| 13 | 3/8" Flat Washer | 3 |
| 14 | 3/8-16 X 3/4" RHSNB | 3 |
| 15 | Strap Bus Hardware Kit | 2 |
| 16 | 1/4-28 X 3/8" SHWHSW | 4 |
| 17 | 5/16-18 Insert | 6 |
| 18 | 5/16-18 X 1" SRHMS | 6 |
| 19 | 5/16 Flat Washer | 6 |
| 20 | 5/16 Lock Washer | 6 |
| 21 | 1/4-20 X 1" SRHMS | 2 |
| 26 | Ground Bracket | 1 |
| 27 | 10-32 X 1/4" SHWHSW | 2 |

Note: Right exit shown, rotate 180° for left exit
 Note: Items 26 & 27 are used to ground the switch enclosure (Route bonding wire along flange)