

-01 CAT# 6SCL1
-02 CAT# SSCLD

PC. -01 ASSY. USED ON STRAP KIT 6SCL1
PC. -02 ASSY. USED ON STRAP KIT SSCLD

FOR ITE BREAKER TYPES: SCLD6

-02	-01	ITEM	PC. NO.	DESCRIPTION
1	1	1	16-6114-01	MOUNTING BRACKET
1	1	2	16-6120-02	SUPPORT BRACKET
2	2	3	17-6768-02	ØAC JITNEY
1	1	4	17-6769-02	ØB JITNEY
1	1	5	12-6776-06	ØAC LONG CONNECTOR
1	1	6	12-6776-05	ØB CONNECTOR
1	1	7	12-6776-04	ØAC SHORT CONNECTOR
3	3	8	17-6770-02	PAD CONNECTOR
4	4	9	11-1800-02	1-1/4" INSULATOR
1	1	10	11-7721-01	BARRIER
1	1	11	11-6415-02	BARRIER
1	1	12	12-6487-01	COVER PLATE
1	1	13	11-7505-01	CIRCUIT I.D. CARD
1	1	14	11-7506-01	CARD HOLDER
		15		
2	2	16	11-B-2022-05	STRAP-BUS HARDWARE KIT
12	12	17	11-1620-04	5/12-18 INSERT
12	12	18	11-1615-06	5/16" FLAT WASHER
12	12	19	11-1618-04	5/16" LOCK WASHER
6	6	20	11-1566-05	5/16-18 X 1" HHMS
6	6	21	11-1566-07	5/16-16 X 1-1/4" HHMS
8	8	22	11-1615-04	1/4" FLAT WASHER
8	8	23	11-1618-03	1/4" LOCK WASHER
4	4	24	11-1546-02	1/4-20 X 1/2" HHMS
4	4	25	11-1546-05	1/4-20 X 7/8" HHMS
4	4	26	11-1542-14	1/4-20 X 2-3/4" SRHMS
-	1	27	12-B-2105-04	NEUTRAL LUG ASSEMBLY
1	-	28	12-B-2105-06	NEUTRAL LUG ASSEMBLY
-	-	29	11-1580-02	3/8-16 X 1" RHSNB
-	-	30	11-1622-01	3/8-16 BELLEVILLE WASHER NUT
6	6	31	11-1553-02	1/4-20 X 3/8" SHWSW
1	1	32	12-5531-11	FILLER PLATE ASSEMBLY
1	1	33	16-6115-01	AUXILIARY MOUNTING BRACKET
1	-	34	31-1230-01	INSTRUCTION SHEET
1	1	35	15-A-1027-01	CARTON LABEL
1	1	36	48001057	CARTON
-	1	37	11-5570-02	SERIES 5 CONVERSION KIT
-	1	38	31-1195-01	INSTRUCTION SHEET
		39		
		40		

TORQUE VALUES:
 (16)-72 IN./LBS.
 (29)-20 FT./LBS.
 (20)(21)-12 FT./LBS.



⚠ DANGER
 Hazardous voltage. Will cause death or serious injury.
 Keep out. Qualified personnel only. Disconnect and lock off all power before working on this equipment.

Rev	C.N.	Date
8	1C-831B	7-31-06
7	1C-831A	04-12-04
6	1B-908	5-8-95
5	1B-359	11-11-92
4	1A-939	7-22-91
3	1A-280B	1-31-91
2	1A-280	11-30-90
1	1A-077	6-08-89
0	1A-066	2-16-89

Unless otherwise specified dimensions are in inches
 Tolerances are non-cumulative and are as follows unless specified otherwise.
 .XX ± .030
 .XXX ± .015
 Angular ± 2°
 Do not scale drawing

Confidential - Property of
Siemens Industry, Inc.
 Norcross, GA

SCLD FRAME MOUNT
SERIES 6 - BRANCH

Dwg No. 12-5772 Rev. 8
 Scale NONE Sheet 1 of 1

FOR USE ON SERIES 5 OR 6 DISTRIBUTION SECTIONS, CDP-5, CDP-6, VB-5, VB-6, FCI, FCII, SB1, SB2 & SB3.

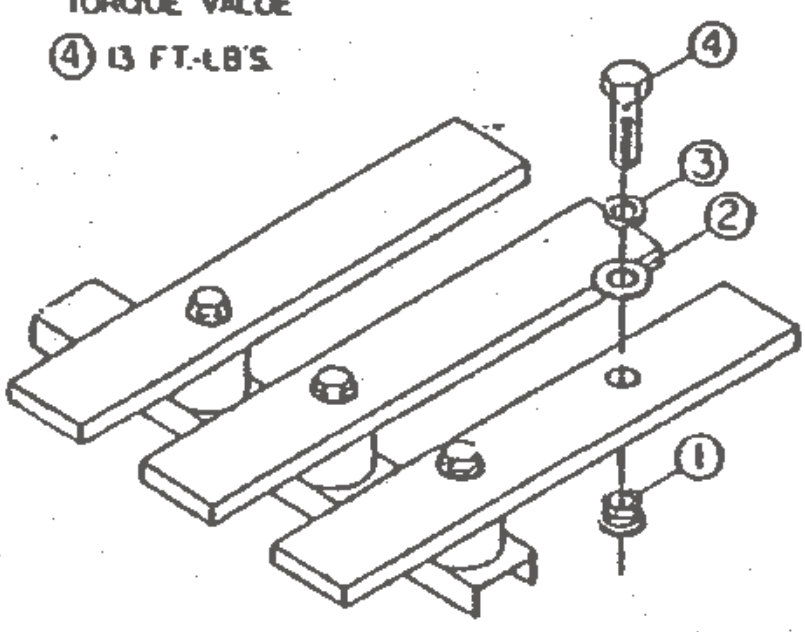
IF EXISTING EQUIPMENT IS TYPE CDP-5, VB-5, OR FC20 THE VERTICAL BUS WILL BE PRE-PUNCHED WITH .406 DIAMETER HOLES. IN THESE CASES USE SERIES 5 ADAPTOR KIT FURNISHED WITH THIS KIT. SEE REVERSE SIDE FOR INSTRUCTIONS.

31-1195-01 Rev. 3

Siemens Industry, Inc.
 Norcross, GA

CAT. NO. 6SCL1

TORQUE VALUE
 (4) 13 FT.-LBS



⚠ DANGER
 Hazardous voltage. Will cause death or serious injury.
 Keep out. Qualified personnel only. Disconnect and lock off all power before working on this equipment.

APVd	ITEM	DESCRIPTION	PC. NO.	QTY.
DSH	1	5/16 INSERT	11-1620-04	12
6-15-92	2	5/16 FLAT WASHER	11-1615-06	12
	3	5/16 LOCK WASHER	11-1618-04	12
	4	5/16-18 X 1 1/4 HHMS	11-1566-07	12
	5	FAST LATCH SCREW BAG	11-A-1821-01	1
	6	ID CARD	31-1160-02	1
	7			
	8			
	9			
	10			
	11			
	12			
	13			
	14			
	15			
	16			
	17			
	18			
	19			
	20			
	21			
	22			
	23			
	24			
	25			
	26			
	27			
	28			
	29			
	30			
	31			
	32			
	33			
	34			
	35	For use in adapting Series 6 Mounting Kits to be used in Series 5 type panel construction.		
	36	Series 5 construction has .406 dia. holes in interior horizontal bus.		
	37			
	38			
	39			
	40	(1) Use 5/16-18 insert in bus being certain that the		
	41	flange on insert is pulled up flush with back of		
	42	bus bar.		
	43	(2) Drill out appropriate holes in branch bus minimum		
	44	of .344 dia. to accommodate 5/16-18 bolts.		

Revisions 0: 681
 1: 1B-362 6-5-92
 2: 1B-359 11-11-92
 3: 1C-286 4-19-99

Chk DSH 6-5-92
 By RM 6-15-83

Confidential - property of
Siemens Industry, Inc.
 Norcross, GA

SERIES 5 ADAPTOR KIT 11-5570-02
 Dwg No. 11-5570-02
 Title Sht. 1 Of 1 Rev. 3

FOR USE ON SERIES 5 OR 6 DISTRIBUTION SECTIONS, CDP-5, CDP-6, VB-5, VB-6, FCI, FCII, SB1, SB2 & SB3.

IF EXISTING EQUIPMENT IS TYPE CDP-6, VB-6, FCI OR FCII THE VERTICAL BUS WILL BE PRE-PUNCHED WITH .228 DIAMETER HOLES. IN THESE CASES USE SERIES 6 BRANCH BUS PARTS LIST ON REVERSE SIDE.

CAT. NO. 6SCL1