

-01 CAT# 6SCJ1
 -02 CAT# SSCJD

PC. -01 ASSY. USED ON STRAP KIT 6SCJ1
 PC. -02 ASSY. USED ON STRAP KIT SSCJD

TORQUE VALUES:
 (16) - 72 IN./LBS.
 (29) - 20 FT./LBS.
 (20)(21) - 12 FT./LBS.



8	IC-831B	7-31-06
7	IC-831A	04-12-04
6	1B-908	5-8-95
5	1B-359	11-11-92
4	1A-939	7-22-91
3	1A-280B	1-31-91
2	1A-280	11-30-90
1	1A-077	6-08-89
0	1A-066	12-16-89

Rev	C.N.	Date
Dwn	MGR	Date 8-28-91
Chk	JRM	Date 9-5-91
Apvd	SH	Date 9-13-91

Confidential - Property of Siemens Industry, Inc. Norcross, GA	
SCJD FRAME MOUNT SERIES 6 - BRANCH	
Dwg No. 12-5771	Rev. 8
Scale NONE	Sheet 1 of 1

-02	-01	ITEM	PC. NO.	DESCRIPTION
1	1	1	16-6114-01	MOUNTING BRACKET
1	1	2	16-6120-02	SUPPORT BRACKET
2	2	3	17-6768-02	ØAC JITNEY
1	1	4	17-6769-02	ØB JITNEY
1	1	5	12-6776-06	ØAC LONG CONNECTOR
1	1	6	12-6776-05	ØB CONNECTOR
1	1	7	12-6776-04	ØAC SHORT CONNECTOR
3	3	8	17-6770-02	PAD CONNECTOR
4	4	9	11-1800-02	1-1/4" INSULATOR
1	1	10	11-7721-01	BARRIER
1	1	11	11-6415-02	BARRIER
1	1	12	12-6487-01	COVER PLATE
1	1	13	11-7505-01	CIRCUIT I.D. CARD
1	1	14	11-7506-01	CARD HOLDER
		15		
2	2	16	11-B-2022-05	STRAP-BUS HARDWARE KIT
12	12	17	11-1620-04	5/12-18 INSERT
12	12	18	11-1615-06	5/16" FLAT WASHER
12	12	19	11-1618-04	5/16" LOCK WASHER
6	6	20	11-1566-05	5/16-18 X 1" HHMS
6	6	21	11-1566-07	5/16-16 X 1-1/4" HHMS
6	6	22	11-1615-04	1/4" FLAT WASHER
8	8	23	11-1618-03	1/4" LOCK WASHER
4	4	24	11-1546-02	1/4-20 X 1/2" HHMS
4	4	25	11-1546-05	1/4-20 X 7/8" HHMS
4	4	26	11-1542-14	1/4-20 X 2-3/4" SRHMS
-	1	27	12-B-2105-04	NEUTRAL LUG ASSEMBLY
1	-	28	12-B-2105-06	NEUTRAL LUG ASSEMBLY
-	-	29	11-1580-02	3/8-16 X 1" RHSNB
-	-	30	11-1622-01	3/8-16 BELLEVILLE WASHER NUT
6	6	31	11-1553-02	1/4-20 X 3/8" SHHWSW
1	1	32	12-5531-11	FILLER PLATE ASSEMBLY
1	1	33	16-6115-01	AUXILIARY MOUNTING BRACKET
1	-	34	31-1226-01	INSTRUCTION SHEET
1	1	35	15-A-1027-01	CARTON LABEL
1	1	36	48001057	CARTON
-	1	37	11-5570-02	SERIES 5 CONVERSION KIT
-	1	38	31-1194-01	INSTRUCTION SHEET
		39		
		40		

FOR USE ON SERIES 5 OR 6 DISTRIBUTION SECTIONS, CDP-5, CDP-6, VB-5, VB-6, FCI, FCII, SB1, SB2 & SB3.

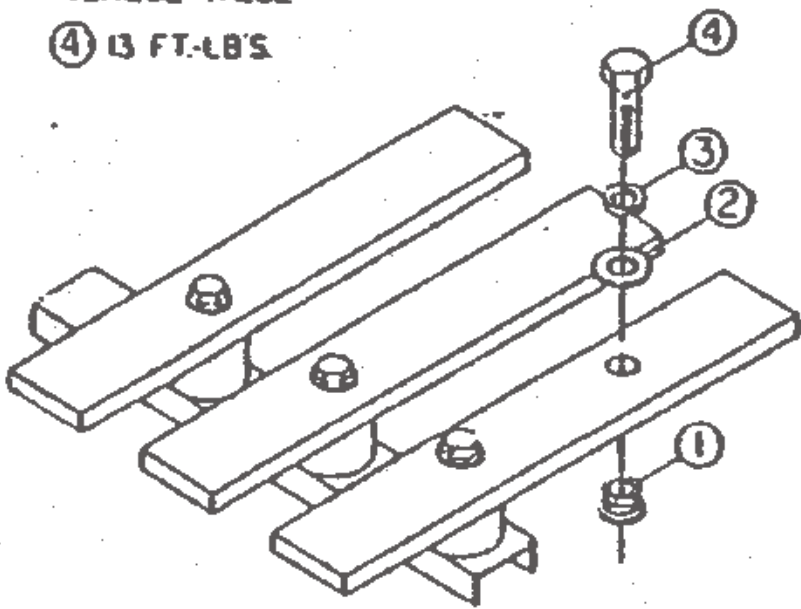
IF EXISTING EQUIPMENT IS TYPE CDP-5, VB-5, OR FC20 THE VERTICAL BUS WILL BE PRE-PUNCHED WITH .406 DIAMETER HOLES. IN THESE CASES USE SERIES 5 ADAPTOR KIT FURNISHED WITH THIS KIT. SEE REVERSE SIDE FOR INSTRUCTIONS.

31-1194-01 Rev. 3

Siemens Industry, Inc.
Norcross, GA

CAT. NO. 6SCJ1

TORQUE VALUE
 (4) 13 FT.-LBS



ITEM	DESCRIPTION	PC. NO.	QTY.
1	5/16 INSERT	11-1620-04	12
2	5/16 FLAT WASHER	11-1615-06	12
3	5/16 LOCK WASHER	11-1618-04	12
4	5/16-18 X 1 1/4 HHMS	11-1566-07	12
5	FAST LATCH SCREW BAG	11-A-1821-01	1
6	ID CARD	31-1160-02	1
7			
8			
9			
10			
11			
12			
13			
14			
15			
16			
17			
18			
19			
20			
21			
22			
23			
24			
25			
26			
27			
28			
29			
30			
31			
32			
33			
34			
35	For use in adapting Series 6 Mounting Kits to be used in Series 5 type panel construction.		
37	Series 5 construction has .406 dia. holes in interior horizontal bus.		
38			
39			
40	(1) Use 5/16-18 insert in bus being certain that the flange on insert is pulled up flush with back of bus bar.		
41			
42			
43	(2) Drill out appropriate holes in branch bus minimum of .344 dia. to accommodate 5/16-18 bolts.		
44			

Revisions 0: 681
 1: 1B-362 6-5-92
 2: 1B-359 11-11-92
 3: 1C-286 4-19-99

Chk DSH 6-5-92
 By RM 6-15-83

Confidential - property of Siemens Industry, Inc. Norcross, GA		SERIES 5 ADAPTOR KIT 11-5570-02	3
Title		Dwg No.	Rev.
		Sht. 1 Of 1	

FOR USE ON SERIES 5 OR 6 DISTRIBUTION SECTIONS, CDP-5, CDP-6, VB-5, VB-6, FCI, FCII, SB1, SB2 & SB3.

IF EXISTING EQUIPMENT IS TYPE CDP-6, VB-6, FCI OR FCII THE VERTICAL BUS WILL BE PRE-PUNCHED WITH .228 DIAMETER HOLES. IN THESE CASES USE SERIES 6 BRANCH BUS PARTS LIST ON REVERSE SIDE.

CAT. NO. 6SCJ1