

FOR USE ON SERIES 5 OR 6 DISTRIBUTION SECTIONS, CDP-5, CDP-6, VB-5, VB-6, FCI, FCII, SB1, SB2 & SB3.

31-1145-01 Rev. 4

Apvd	SH	ITEM	DESCRIPTION	PC. NO.	QTY.
5-22-95		1	F6 ØAC FRONT BRANCH BUS	12-7031-01	2
		2	F6 ØAC REAR BRANCH BUS	12-7032-01	2
		* 3	F6 ØB BRANCH BUS	12-7033-01	1
		* 4	F6 ØB HEAT SINK	11-6846-01	2
		5	F6 MOUNTING BRACKET	15-B-3018-02	2
		6	5' F6 COVER PLATE	12-6028-01	1
		7	CIRCUIT I. D. CARD	11-7505-01	2
		8	CARD HOLDER	11-7506-01	2
		9	1/4-20 X 3/8 SHHWS	11-1553-02	4
		** 10	STRAP-BUS HARDWARE KIT (FOR A & C PHASES)	11-B-2023-05	1
		* 11	8-32 X 5/8 IHHWS	11-1512-07	4
		12	1/4-20 X 1" SHHWS	11-1553-09	6
		13	1/4-20 X 4" SRHMS	11-1542-19	4
		14	1/4-20 X 5/8 SHHWS	11-1553-06	2
		15	BLANK FILLER	12-5531-10 ▲	2
		16			
		17			
		18	NEUTRAL LUG ASSEMBLY	12-B-2105-03	2
		19			
		20			
		21			
		22			
		23			
		24			
		25	ØB BARRIER (FOR PROVISIONS)	11-7548-02	4
		26			
		27			
		28	SERIES 5 CONVERSION KIT	11-5570-01	1
		29	INSTRUCTION SHEET	31-1145-01	1
		30	CARTON LABEL	15-A-1027-01	1
		31	CARTON	48001056	1
		32			
		33	* SUB-ASSEMBLY ITEMS 3,4 & 11 BEFORE PACKING		
		34	FOR SHIPMENT		
		35			
		36	FD6 FRAME BRANCH BREAKER-TWIN MOUNTED		
		37	70-250A		
		38	FOR BREAKER TYPES: FJ6, F6, HF6		
		39	FXD6, FD6, HFD6		
		40			
		41			
		** 42	STRAP-BUS HARDWARE KIT (FOR B PHASE)	11-B-2022-05	1
		43			
		44	MERCHANDISE KIT NO. 6F62		

Revisions: 0: 1B-908 4: 1C-267A 1-18-00
1: 1C-155B 08-13-97 5: 1C-831A 4-12-04
2: 1C-206 01-26-98 6: 1C-831B 7-25-06
3: 1C-206 01-26-98 7: 1E-166B 12-11-09

Chk SH 5-22-95
By RAW 5-22-95

Confidential - property of
Siemens Industry, Inc.
Norcross, GA

FD6 FRAME MOUNTING
SERIES 5 & 6 COPPER BRANCH BUS

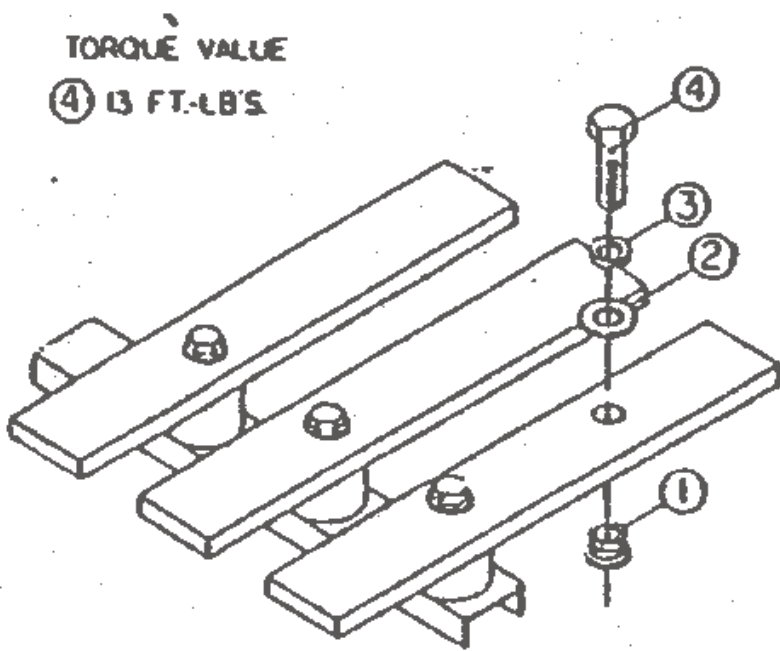
11-5098-04
Dwg No.

8
Rev.

IF EXISTING EQUIPMENT IS TYPE CDP-5, VB-5, OR FC20 THE VERTICAL BUS WILL BE PRE-PUNCHED WITH .406 DIAMETER HOLES, IN THESE CASES USE SERIES 5 ADAPTOR KIT FURNISHED WITH THIS KIT. SEE REVERSE SIDE FOR INSTRUCTIONS.

Siemens Industry, Inc.
Norcross, GA

CAT. NO. 6F62



Apvd	DSH	ITEM	DESCRIPTION	PC. NO.	QTY.
6-15-92		1	5/16 INSERT	11-1620-04	6
		2	5/16 FLAT WASHER	11-1615-06	6
		3	5/16 LOCK WASHER	11-1618-04	6
		4	5/16-18 X 1 1/4 HHMS	11-1566-07	6
		5	FAST LATCH SCREW BAG	11-A-1821-01	1
		6 ▲	ID CARD	31-1160-01	1
		7			
		8			
		9			
		10			
		11			
		12			
		13			
		14			
		15			
		16			
		17			
		18			
		19			
		20			
		21			
		22			
		23			
		24			
		25			
		26			
		27			
		28			
		29			
		30			
		31			
		32			
		33			
		34			
		35	For use in adapting Series 6 Mounting Kits to be used in Series 5 type panel construction.		
		37	Series 5 construction has .406 dia. holes in interior horizontal bus.		
		38			
		39			
		40	(1) Use 5/16-18 insert in bus being certain that flange on insert is pulled up flush with back of bus bar.		
		41			
		42			
		43	(2) Drill out appropriate holes in branch bus minimum of .344 dia. to accommodate 5/16-18 bolts.		
		44			

Revisions: 0: 681
1: 1B-362 6-5-92
2: 1B-359 11-11-92
3: 1C-286 4-19-99

Chk DSH 6-5-92
By RM 6-15-83

Confidential - property of
Siemens Industry, Inc.
Norcross, GA

SERIES 5 ADAPTOR KIT

11-5570-01
Dwg No.

3
Rev.

FOR USE WITH CLE-6 FRAME ON SERIES 5 OR 6 DISTRIBUTION SECTIONS, CDP-5, CDP-6, VB-5, VB-6, FCI, FCII, SB1, SB2 & SB3.

IF EXISTING EQUIPMENT IS TYPE CDP-6, VB-6, FCI OR FCII THE VERTICAL BUS WILL BE PRE-PUNCHED WITH .228 DIAMETER HOLES. IN THESE CASES USE SERIES 6 BRANCH BUS PARTS LIST ON REVERSE SIDE.

CAT. NO. 6F62