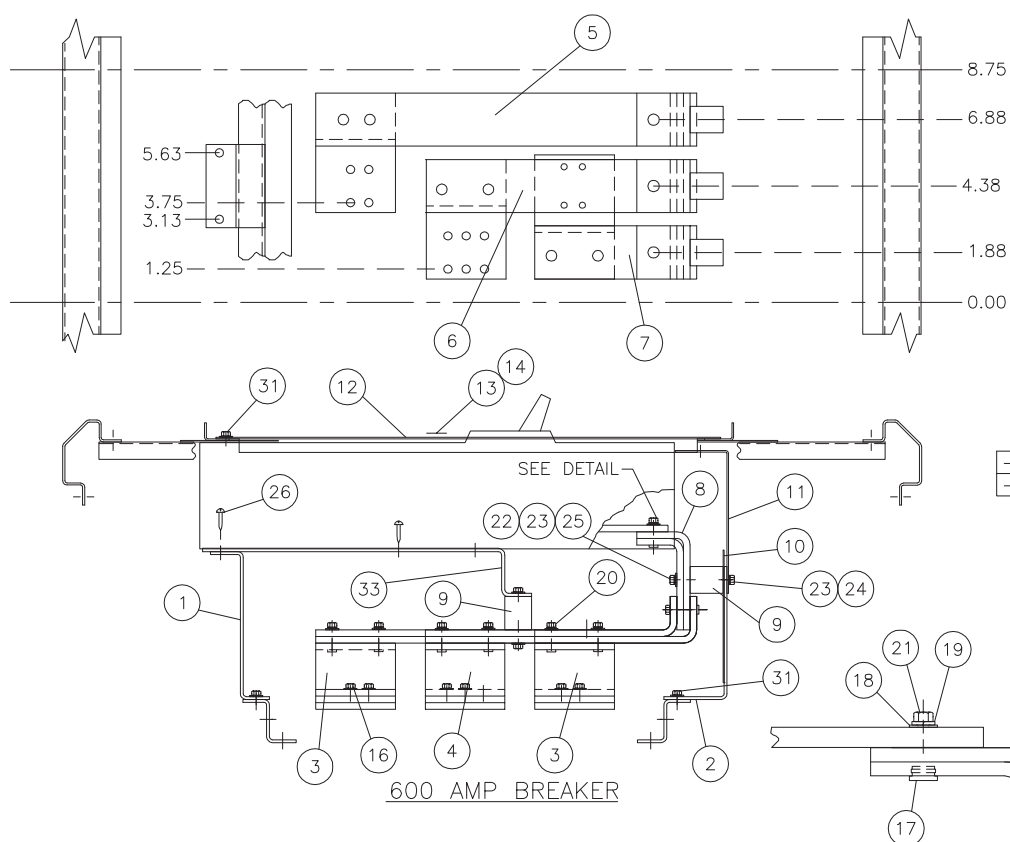


Third Angle Projection  
 Rev. 11  
 Sht. 1  
 Dwg. No. 12-5720  
 Autocad Filename:



PC. -01 ASSY. USED ON STRAP KIT 6CLL1  
 PC. -02 ASSY. USED ON STRAP KIT SCLD

FOR ITE BREAKER TYPES:  
 CLL, CLD6

TORQUE VALUES:  
 (16) 72 IN./LBS.  
 (29) 20 FT./LBS.  
 (20)(21) 12 FT./LBS.

**⚠ DANGER**  
 Hazardous voltage. Will cause death or serious injury.  
 Keep out. Qualified personnel only. Disconnect and lock off all power before working on this equipment.

11	IC-831B	07-31-06
10	IC-831A	04-12-04
9	IB-908	5-8-95
8	IB-359	11-11-92
7	IA-939	7-22-91
6	IA-280	11-30-90
5	IA-077	6-08-89
4	IA-066	2-16-89
3	IA-054	11-21-88
2	8A-093	7-15-88
1	8A-071	
0	8A-001	3-30-87

-01 CAT# 6CLL1  
 -02 CAT# SCLD

REV	ITEM	PC. NO.	DESCRIPTION
1	1	1	16-6114-01 MOUNTING BRACKET
1	1	2	16-6120-02 SUPPORT BRACKET
2	2	3	17-6768-02 ØAC JITNEY
1	1	4	17-6769-02 ØB JITNEY
1	1	5	12-6776-06 ØAC LONG CONNECTOR
1	1	6	12-6776-05 ØB CONNECTOR
1	1	7	12-6776-04 ØAC SHORT CONNECTOR
3	3	8	17-6770-02 PAD CONNECTOR
4	4	9	11-1800-02 1-1/4" INSULATOR
1	1	10	11-7721-01 BARRIER
1	1	11	11-6415-02 BARRIER
1	1	12	12-6194-02 COVER PLATE
1	1	13	11-7505-01 CIRCUIT I.D. CARD
1	1	14	11-7506-01 CARD HOLDER
		15	
2	2	16	11-B-2022-05 STRAP-BUS HARDWARE KIT
12	12	17	11-1620-04 5/12-18 INSERT
12	12	18	11-1615-06 5/16" FLAT WASHER
12	12	19	11-1618-04 5/16" LOCK WASHER
6	6	20	11-1566-05 5/16-18 X 1" HHMS
6	6	21	11-1566-07 5/16-16 X 1-1/4" HHMS
8	8	22	11-1615-04 1/4" FLAT WASHER
8	8	23	11-1618-03 1/4" LOCK WASHER
4	4	24	11-1546-02 1/4-20 X 1/2" HHMS
4	4	25	11-1546-05 1/4-20 X 7/8" HHMS
4	4	26	11-1542-14 1/4-20 X 2-3/4" SRHMS
-	1	27	12-B-2105-04 NEUTRAL LUG ASSEMBLY
1	-	28	12-B-2105-06 NEUTRAL LUG ASSEMBLY
-	-	29	11-1580-02 3/8-16 X 1" RHSNB
-	-	30	11-1622-01 3/8-16 BELLEVILLE WASHER NUT
6	6	31	11-1553-02 1/4-20 X 3/8" SHHWSW
1	1	32	12-5531-11 FILLER PLATE ASSEMBLY
1	1	33	16-6115-01 AUXILIARY MOUNTING BRACKET
1	-	34	31-1229-01 INSTRUCTION SHEET
1	1	35	15-A-1027-01 CARTON LABEL
1	1	36	48001057 ▲ CARTON
-	1	37	11-5570-02 SERIES CONVERSION KIT
-	1	38	31-1189-01 INSTRUCTION SHEET
		39	
		40	

Confidential - Property of  
**Siemens Industry, Inc.**  
 Norcross, GA

CLD FRAME MOUNT  
 SERIES 6 - BRANCH

Dwg No. 12-5720  
 Scale NONE  
 Sheet 1 of 1

Rev. 11

FOR USE ON SERIES 5 OR 6 DISTRIBUTION SECTIONS, CDP-5, CDP-6, VB-5, VB-6, FCI, FCII, SB1, SB2 & SB3.

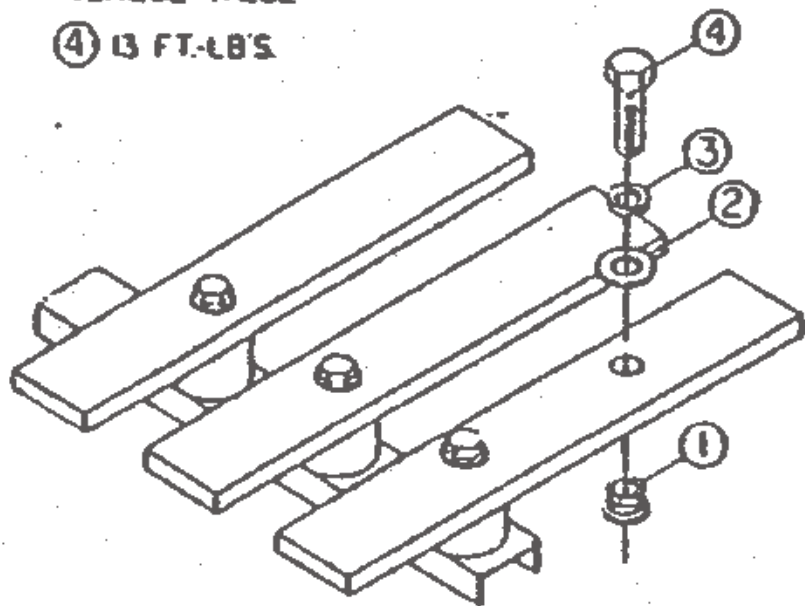
IF EXISTING EQUIPMENT IS TYPE CDP-5, VB-5, OR FC20 THE VERTICAL BUS WILL BE PRE-PUNCHED WITH .406 DIAMETER HOLES. IN THESE CASES USE SERIES 5 ADAPTOR KIT FURNISHED WITH THIS KIT. SEE REVERSE SIDE FOR INSTRUCTIONS.

31-1189-01 Rev. 3

Siemens Industry, Inc.  
 Norcross, GA

CAT. NO. 6CLL1

TORQUE VALUE  
 (4) 13 FT.-LBS



**⚠ DANGER**  
 Hazardous voltage. Will cause death or serious injury.  
 Keep out. Qualified personnel only. Disconnect and lock off all power before working on this equipment.

APVDSH	ITEM	DESCRIPTION	PC. NO.	QTY.
6-15-92	1	5/16 INSERT	11-1620-04	12
	2	5/16 FLAT WASHER	11-1615-06	12
	3	5/16 LOCK WASHER	11-1618-04	12
	4	5/16-18 X 1 1/4 HHMS	11-1566-07	12
	5	FAST LATCH SCREW BAG	11-A-1821-01	1
	6	▲ ID CARD	31-1160-02	1
	7			
	8			
	9			
	10			
	11			
	12			
	13			
	14			
	15			
	16			
	17			
	18			
	19			
	20			
	21			
	22			
	23			
	24			
	25			
	26			
	27			
	28			
	29			
	30			
	31			
	32			
	33			
	34			
	35	For use in adapting Series 6 Mounting Kits to be used in Series 5 type panel construction.		
	37	Series 5 construction has .406 dia. holes in interior horizontal bus.		
	38			
	39			
	40	(1) Use 5/16-18 insert in bus being certain that the flange on insert is pulled up flush with back of bus bar.		
	41			
	42			
	43	(2) Drill out appropriate holes in branch bus minimum of .344 dia. to accommodate 5/16-18 bolts.		
	44			

Revisions:  
 1: IB-362 6-5-92  
 2: IB-359 11-11-92  
 3: IC-286 4-19-99

Chk DSH 6-5-92  
 By RM 6-15-83

Confidential - property of  
**Siemens Industry, Inc.**  
 Norcross, GA

SERIES 5 ADAPTOR KIT 11-5570-02  
 Dwg No. 11-5570-02  
 Title  
 Sht. 1 Of 1  
 Rev. 3

FOR USE ON SERIES 5 OR 6 DISTRIBUTION SECTIONS, CDP-5, CDP-6, VB-5, VB-6, FCI, FCII, SB1, SB2 & SB3.

IF EXISTING EQUIPMENT IS TYPE CDP-6, VB-6, FCI OR FCII THE VERTICAL BUS WILL BE PRE-PUNCHED WITH .228 DIAMETER HOLES. IN THESE CASES USE SERIES 6 BRANCH BUS PARTS LIST ON REVERSE SIDE.

CAT. NO. 6CLL1