

Apvd PM 11-30-90	ITEM	DESCRIPTION	PC. NO.	QTY.
	1	BREAKER SUPPORT BRACKET	15-B-3020-02	1
	2	PHASE A CONNECTOR BUS	12-7144-01	1
	3	PHASE B CONNECTOR BUS	12-7145-01	1
	4	PHASE C CONNECTOR BUS	12-7146-01	1
	5	PHASE A BRANCH BUS	12-7143-01	1
	6	PHASE B BRANCH BUS	12-7143-02	1
	7	PHASE C BRANCH BUS	12-7143-03	1
	8	BUS SUPPORT BRACKET	12-6257-01	1
	9	STAND-OFF INSULATOR	11-1800-01	3
	10	BRANCH BUS BARRIER	11-7715-01	1
	11	5" FRONT PLATE	12-6029-02	1
	12	CIRCUIT ID CARD	11-7505-01	1
	13	CARD HOLDER	11-7506-01	1
	14	1/4-20 X 3/8 SHWSW	11-1553-02	9
	15	STRAP-BUS HARDWARE KIT	11-B-2022-05	2
	16	1/4-20 X 1 7/16 SHWSW	11-1553-13	3
	17	1/4-20 X 4 SRHMS	11-1542-19	2
	18			
	19			
	20			
	21			
	22	NEUTRAL LUG ASSEMBLY	12-B-2105-03	1
	23	BLANK FILLER	12-5531-10	1
	24			
	25			
	▲ 26	STRAP-BUS HARDWARE KIT	11-B-2022-05	2
	27	10-24 X 5/8 RHSNB	11-1630-02	2
	28	10-24 LOCK NUT	11-1821-02	2
	29	SERIES 5 CONVERSION KIT	11-5570-02	1
	30	INSTRUCTION SHEET	31-1154-01	1
	31	CARTON LABEL	15-A-1027-01	1
	32	CARTON	48001056	1
	33			
	34			
	35			
		CF6 FRAME BRANCH BREAKER - SINGLE MOUNTED FOR TYPE CLF, CF6 BREAKERS ▲	70 - 250 AMPS	
	Chk SH 11-30-90			
	By MC 11-20-90	MERCHANDISE KIT NO. 6CLF1		
		Confidential - property of Siemens Industry, Inc. Norcross, GA	CF6 BRANCH BREAKER MOUNTING SERIES 5 & 6 COPPER BUS	11-5383-03 Dwg No.
				5
			Sht. 1 Of 1	Rev.

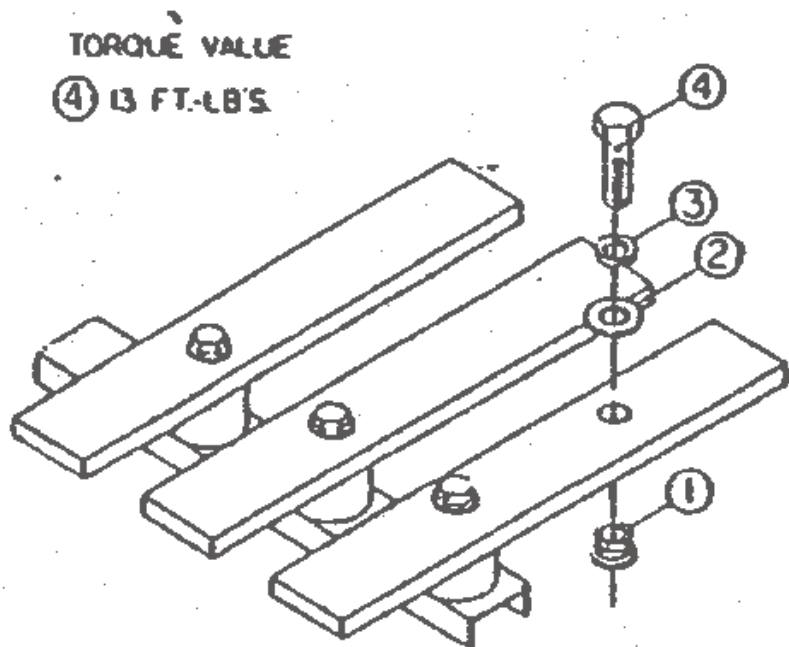
FOR USE ON SERIES 5 OR 6 DISTRIBUTION SECTIONS, CDP-5, CDP-6, VB-5, VB-6, FCI, FCII, SB1, SB2 & SB3.

IF EXISTING EQUIPMENT IS TYPE CDP-5, VB-5, OR FC20 THE VERTICAL BUS WILL BE PRE-PUNCHED WITH .406 DIAMETER HOLES. IN THESE CASES USE SERIES 5 ADAPTOR KIT FURNISHED WITH THIS KIT. SEE REVERSE SIDE FOR INSTRUCTIONS.

31-1154-01 Rev. 3

Siemens Industry, Inc.  
Norcross, GA

CAT. NO. 6CLF1



Apvd DSH 6-15-92	ITEM	DESCRIPTION	PC. NO.	QTY.
	1	5/16 INSERT	11-1620-04	12
	2	5/16 FLAT WASHER	11-1615-06	12
	3	5/16 LOCK WASHER	11-1618-04	12
	4	5/16-18 X 1 1/4 HHMS	11-1566-07	12
	5	FAST LATCH SCREW BAG	11-A-1821-01	1
	6 ▲	ID CARD	31-1160-02	1
	7			
	8			
	9			
	10			
	11			
	12			
	13			
	14			
	15			
	16			
	17			
	18			
	19			
	20			
	21			
	22			
	23			
	24			
	25			
	26			
	27			
	28			
	29			
	30			
	31			
	32			
	33			
	34			
	35	For use in adapting Series 6 Mounting Kits to be used in Series 5 type panel construction.		
	36			
	37	Series 5 construction has .406 dia. holes in interior horizontal bus.		
	38			
	39			
	40	(1) Use 5/16-18 insert in bus being certain that the flange on insert is pulled up flush with back of bus bar.		
	41			
	42			
	43	(2) Drill out appropriate holes in branch bus minimum of .344 dia. to accommodate 5/16-18 bolts.		
	44			
		Confidential - property of Siemens Industry, Inc. Norcross, GA	SERIES 5 ADAPTOR KIT	11-5570-02 Dwg No.
				3
			Sht. 1 Of 1	Rev.

FOR USE WITH CLF-6 FRAME ON SERIES 5 OR 6 DISTRIBUTION SECTIONS, CDP-5, CDP-6, VB-5, VB-6, FCI, FCII, SB1, SB2 & SB3.

IF EXISTING EQUIPMENT IS TYPE CDP-6, VB-6, FCI OR FCII THE VERTICAL BUS WILL BE PRE-PUNCHED WITH .228 DIAMETER HOLES. IN THESE CASES USE SERIES 6 BRANCH BUS PARTS LIST ON REVERSE SIDE.

CAT. NO. 6CLF1