

SIEMENS

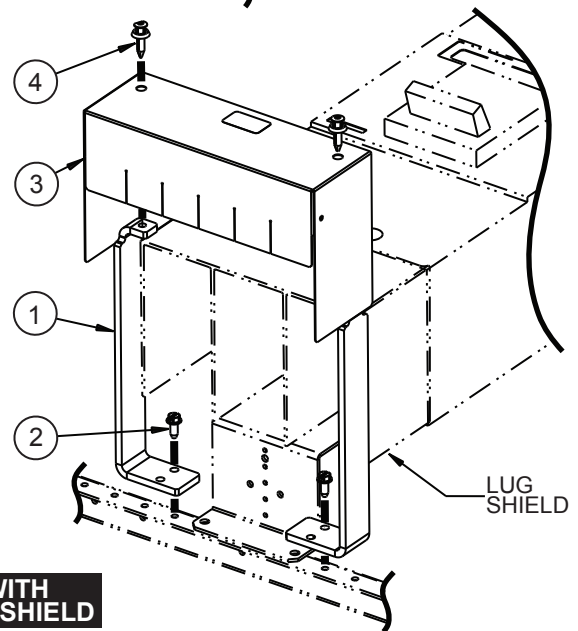
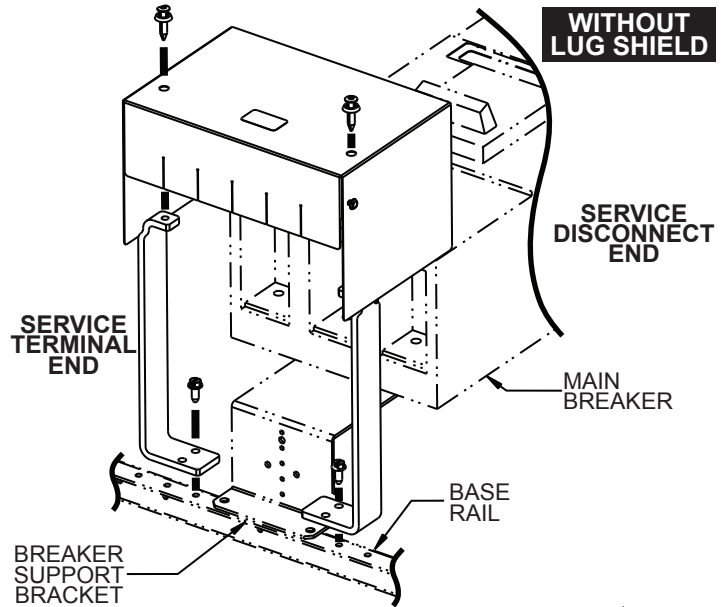
SEBP5V1 / SEBP5V2

Installation Instructions for
Service Entrance Barrier Kit for
MD, ND or NG Main Breaker
in a P5 Panelboard



This instruction sheet is to support the field installation of a Service Entrance Barrier Kit in a Siemens P5 Panelboard. Kit SEBP5V1 is for a Horizontally-mounted MD, ND or NG Main Breaker in a P5 Panelboard **WITHOUT** a lug shield. Kit SEBP5V2 is for the same, but **WITH** a lug shield. This covers both single and three phase panels, either top or bottom fed units.

1. Lock off **ALL** power supplying this equipment before working on it.
2. Remove the panelboard front cover and deadfront.
3. Identify the Service Terminal End of the Service Main this will be added to.
4. Place the base of the Barrier Support Brackets (Item 1) on the Base Rail right against the Breaker Support Bracket, aligning the hole on each Barrier Support Bracket that is closest to the breaker to a hole on the Base Rail.
5. Drive the 1/4"-20 screws (Item 2) through the properly aligned holes of the Barrier Support Bracket bases and into the Base Rail. Tighten both screws to 30 lb-in.
6. Next position the Barrier Assembly (Item 3) onto the Barrier Support Brackets (Item 1) such that the holes on the barrier top align with the hole on each end of the two Barrier Support Brackets. (NOTE: Barrier should cover previously exposed lugs on the Service Terminal End of the breaker.)
7. Insert the Removable Rivet (Item 4) through the properly aligned holes of the barrier and into the Barrier Support Bracket holes. Press the top of the rivet into the rivet base. Check to ensure the barrier is securely assembled to the brackets.
8. **Before energizing the panel**, ensure that **ALL** connections have been properly torqued, that the barrier is in place and secure, that the deadfront covers are installed and that all fillers are in place.



THIS KIT CONTAINS THE FOLLOWING ITEMS:

ITEM	DESCRIPTION	QTY
1	Barrier Support Bracket	2
2	1/4"-20 x 5/8" SHWHSW Screw	2
3	Barrier Assembly	1
4	Removable Rivet; Screw Type	2

These instructions do not purport to cover all details or variations in equipment, or to provide for every possible contingency to be met in connection with installation, operation or maintenance. Should further information be desired or should particular problems arise, which are not covered sufficiently for the purchaser's purposes, the matter should be referred to the local Siemens sales office. The contents of this instruction manual shall not become part of or modify any prior or existing agreement, commitment or relationship. The sales contract contains the entire obligation of Siemens. The warranty contained in the contract between the parties is the sole warranty of Siemens. Any statements contained herein do not create new warranties or modify the existing warranty.

Trademarks-Unless otherwise noted, all names identified by ® are registered trademarks of Siemens AG or Siemens Industry, Inc. The remaining trademarks in this publication may be trademarks whose use by third parties for their own purposes could violate the rights of the owner.