

# SIEMENS

## SEBP4V2

### Installation Instructions for Service Entrance Barrier Kit for CJD or CLD Main Breaker in a P4 or P5 Panelboards

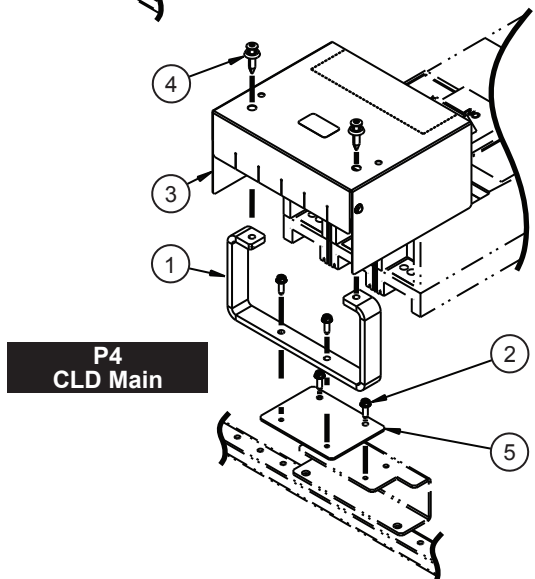
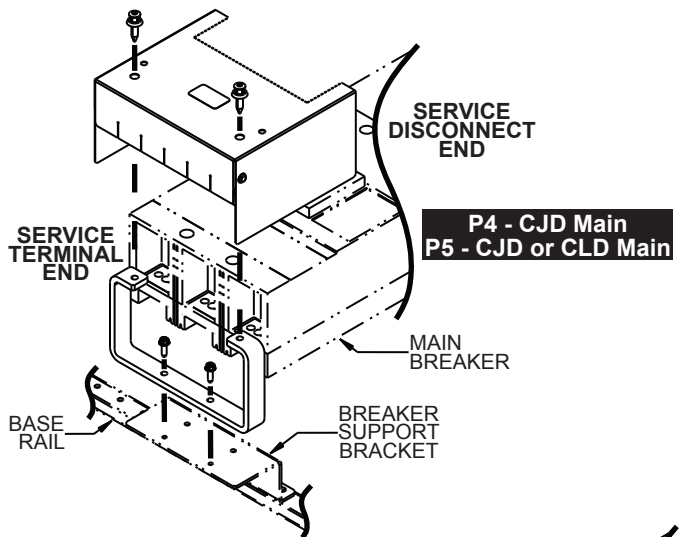
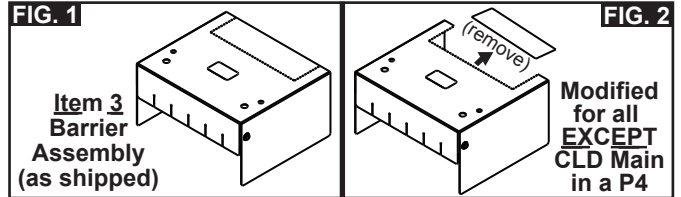


This instruction sheet is to support the field installation of a Service Entrance Barrier Kit in a Siemens P4 or P5 Panelboard. Kit SEBP4V2 is for a Horizontally-mounted CJD or CLD Main Breaker in a P4 or P5 Panelboard. This covers both single and three phase panels, either top or bottom fed units.

1. Lock off ALL power supplying this equipment before working on it.
2. Remove the panelboard front cover and deadfront.
3. Identify the Service Terminal End of the Service Main this will be added to.

**For installation onto a CLD Main in a P4 panel:**  
Place the P4 CLD Support Adaptor (Item 5) onto the Breaker Support Bracket to extend the mounting surface AWAY from the breaker. Drive two #10-32 screws through the Adaptor and into the bracket. Tighten both screws to 20 lb-in.  
NOTE: In the rest of these directions, treat the Adaptor as an extension of the Breaker Support Bracket.  
**OTHERWISE PROCEED TO STEP 4**

4. Place the base of the Barrier Support Bracket (Item 1) on the Breaker Support Bracket, aligning the pair of Barrier Support Bracket holes to the open pair of Breaker Support Bracket holes farthest from the Base Rail.
5. Drive the #10-32 screws (Item 2) through the properly aligned holes of the Barrier Support Bracket base and into the Breaker Support Bracket. Tighten both screws to 20 lb-in.
6. Next position the Barrier Assembly (Item 3) onto the Barrier Support Bracket (Item 1) such that the larger pair of holes on the barrier top align with the hole on each end of the Barrier Support Bracket. (NOTE: Barrier should cover previously exposed lugs on the Service Terminal End of the breaker.)
7. Insert the Removable Rivet (Item 4) through the properly aligned holes of the barrier and into the Barrier Support Bracket holes. Press the top of the rivet into the rivet base. Check to ensure the barrier is securely assembled to the brackets.
8. **Before energizing the panel**, ensure that ALL connections have been properly torqued, that the barrier is in place and secure, that the deadfront covers are installed and that all fillers are in place.



THIS KIT CONTAINS THE FOLLOWING ITEMS:		
ITEM	DESCRIPTION	QTY
1	Barrier Support Bracket	1
2	#10-32 x 5/8" SHWHSW Screw	2
3	Barrier Assembly	1
4	Removable Rivet; Screw Type	2
5	P4 CLD Support Adaptor	1

These instructions do not purport to cover all details or variations in equipment, or to provide for every possible contingency to be met in connection with installation, operation or maintenance. Should further information be desired or should particular problems arise, which are not covered sufficiently for the purchaser's purposes, the matter should be referred to the local Siemens sales office. The contents of this Instruction manual shall not become part of or modify any prior or existing agreement, commitment or relationship. The sales contract contains the entire obligation of Siemens. The warranty contained in the contract between the parties is the sole warranty of Siemens. Any statements contained herein do not create new warranties or modify the existing warranty.

Trademarks-Unless otherwise noted, all names identified by ® are registered trademarks of Siemens AG or Siemens Industry, Inc. The remaining trademarks in this publication may be trademarks whose use by third parties for their own purposes could violate the rights of the owner.