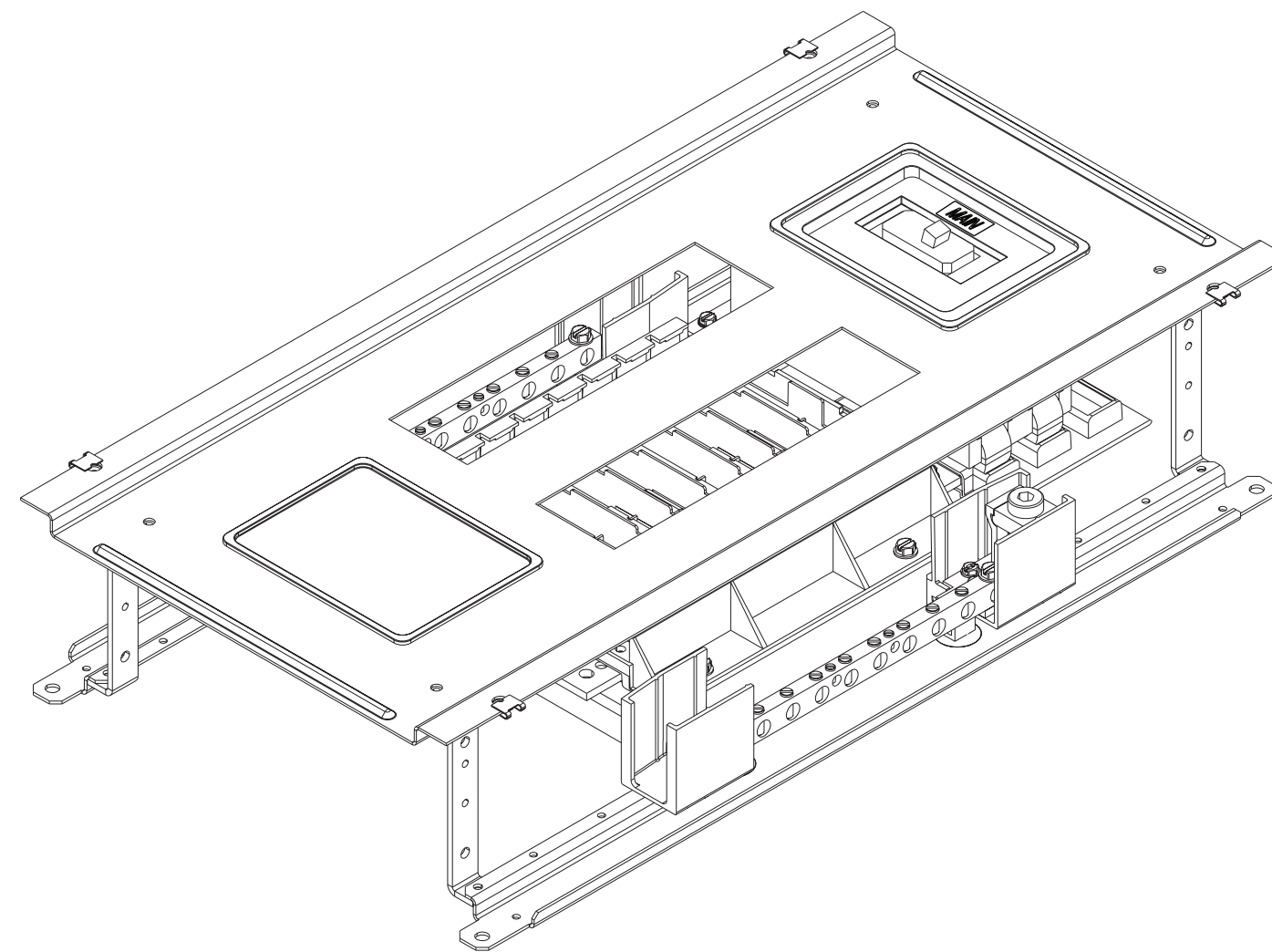


SIEMENS

S1 & P1 Panelboard Kit MBKQR1 & MBKQR3 for 225A MAX QR Main/Subfeed Breaker (NOT for use in Revised P1 Panelboards)¹

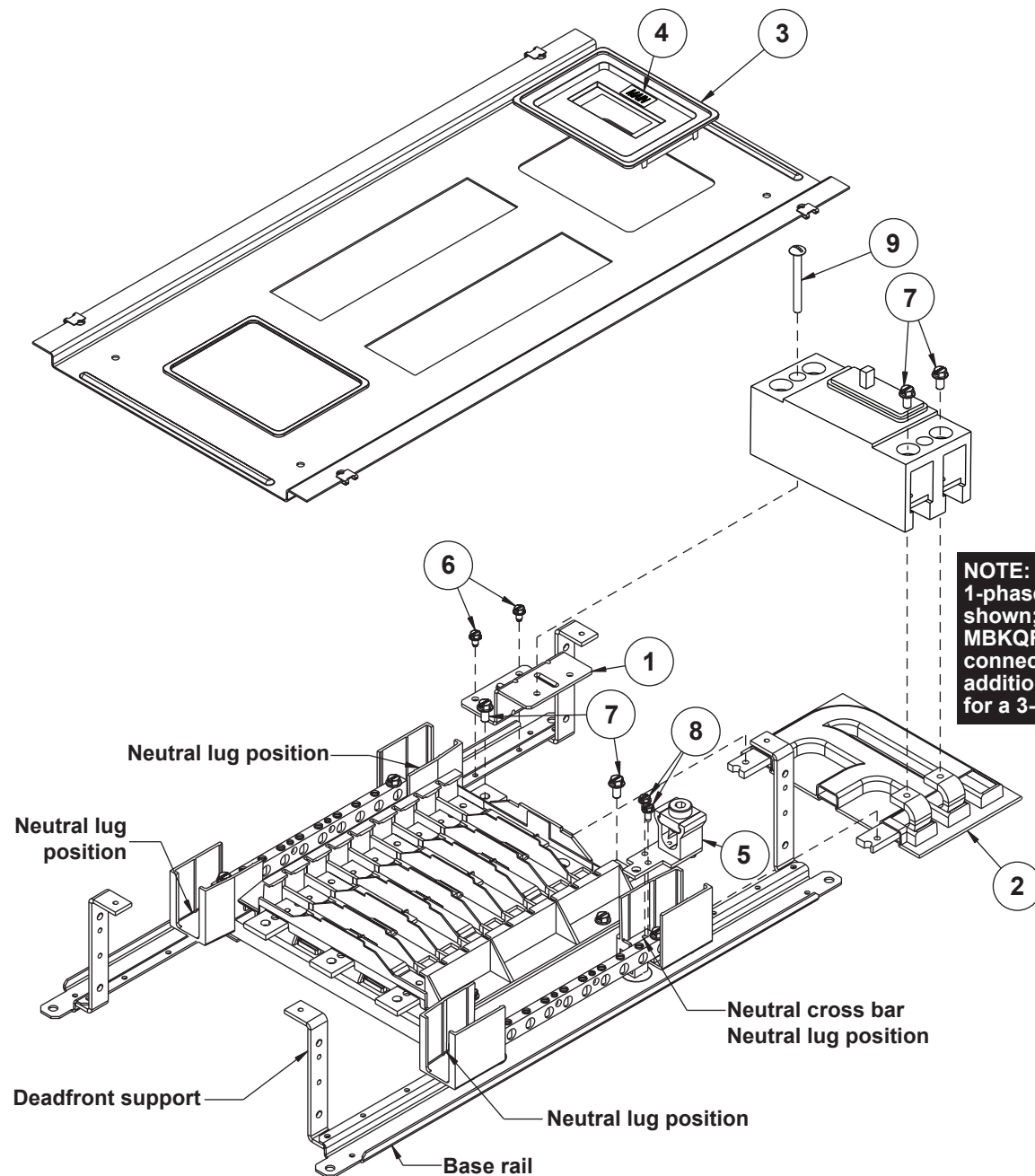
Installation
Instructions



These instructions do not purport to cover all details or variations in equipment, or to provide for every possible contingency to be met in connection with installation, operation or maintenance. Should further information be desired or should particular problems arise, which are not covered sufficiently for the purchaser's purposes, the matter should be referred to the local Siemens sales office. The contents of this Instruction manual shall not become part of or modify any prior or existing agreement, commitment or relationship. The sales contract contains the entire obligation of Siemens. The warranty contained in the contract between the parties is the sole warranty of Siemens. Any statements contained herein do not create new warranties or modify the existing warranty.

Trademarks - Unless otherwise noted, all names identified by ® are registered trademarks of Siemens AG or Siemens Industry, Inc. The remaining trademarks in this publication may be trademarks whose use by third parties for their own purposes could violate the rights of the owner.

¹ To confirm, note the part number of the panel (marked on the interior label). If it ends in an "N" or a "T" it is a "Revised P1" and is **NOT** compatible with this kit. (For example: P1E42MC250A is an Original P1; P1E42MC250AT is a Revised P1)



NOTE:
1-phase kit MBKQR1 shown; 3-phase kit MBKQR3 has 3 connectors (and additional hardware) for a 3-pole breaker

THIS KIT CONTAINS THE FOLLOWING ITEMS:

ITEM	DESCRIPTION	QTY	TORQUE
1	BREAKER SUPPORT	1	N/A
2	BREAKER CONNECTOR ASSEMBLY	1	N/A
3	QR BREAKER FILLER	1	N/A
4	MAIN LABEL	1	N/A
5	NEUTRAL LUG ASSEMBLY	1	N/A
6	#10-32 SLOTTED HEX WASHER THREAD-FORMING SCREW	2	30 lb-in
7	1/4"-20 x 1/2" HEX HEAD SEMS* ASSEMBLY SCREW	**	72 lb-in
8	#10-24 x 7/16" SLOTTED HEX WASHER THREAD-FORMING SCREW	2	50 lb-in
9	1/4"-28 x 2-3/8" SLOTTED ROUND HEAD MACHINE SCREW	***	30 lb-in

* SEMS ASSEMBLY SCREWS HAVE A CAPTIVE WASHER ON THE SCREW
 ** (4) FOR 1Ø, (6) FOR 3Ø
 *** (1) FOR 1Ø, (2) FOR 3Ø

Installation Instructions

The following instructions are for the installation of a Siemens main/subfeed breaker kit for **225A MAX QR2, QRH2, HQR2 and HQR2H** breakers in **S1 and P1** (240V Maximum) Type panelboards. The kit may be installed as a main or a subfeed in panels rated 250 amps or less. For panels above 250 amps, it may be installed in subfeed applications **ONLY**. The parts provided in this kit are for connection to a 1-phase 2 or 3 wire system in kit **MBKQR1** or for connection to a 3-phase, 3 or 4 wire system in kit **MBKQR3**. The breaker is **NOT** included with this kit and must be purchased separately. Be sure to choose the appropriate breaker for the system in use. For systems with no neutrals, disregard the neutral connection.

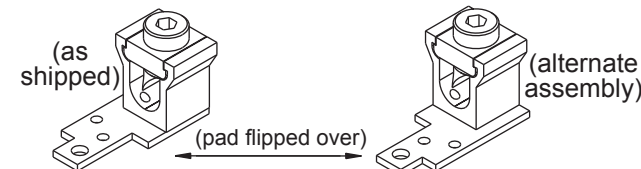


1. Lock off all power supplying this equipment before working on it.
2. Remove the panelboard front cover and deadfront.

Installation as a 225A MAX main breaker*:

* For 250A panels ONLY

3. To install this kit for main breaker use, remove the main lugs (if installed).
4. Place the breaker connector assembly (Item 2) so that the ends of the assembly with the half-holes are under the bus. Fasten to the main bus using the 1/4"-20 hex head SEMS screws (Item 7) provided. Ensure that the half-holes engage the anti-turn tabs on the underside of the bus. **DO NOT TIGHTEN AT THIS TIME.**
5. Attach the breaker support (Item 1) to the base rail using two #10-32 screws (Item 6) provided.
6. Confirm QR breaker lugs are installed on the **OFF** end of the breaker. (Correct if not.)
7. Position the breaker (purchased separately) on the breaker support (Item 1) and attach using the 1/4"-28 round head machine screw(s) (Item 9) provided. Connect the breaker to the connector assembly using the 1/4"-20 SEMS screws (Item 7) provided.
8. On 1-phase, 3-wire and 3-phase, 4-wire systems the neutral lug assembly (Item 5) is required. The neutral lug assembly in the kit installs on the upper right or the lower left position of the neutral bus. (If it is desirable to place the lug at the other corners of the panel, it may be disassembled and the lug pad flipped 180° and re-assembled; see drawing below.) The lug may be attached to the neutral cross bar at any open corner using the #10-24 screws (Item 8) provided.



NEUTRAL LUG DETAIL

9. Torque all connections to the values specified on the installation and maintenance instruction label affixed to the rear of the deadfront.
10. Attach the main cables to the breaker and torque connections to the values specified on the device. If no values are specified on the device, refer to the installation and maintenance instructions affixed to the rear of the deadfront of the panel.
11. Remove the blank filler installed on any deadfront opening in the area that will cover this kit. Install the breaker filler (Item 3) provided with this kit into the front of the deadfront by first inserting the static clips on one end of the opening and then swinging the other end into position until it firmly "clicks" into place.
12. For main breaker applications, apply the "MAIN" label (Item 4) to the breaker filler as shown. (NOTE: Service entrance panels require a service disconnect label from the bonding kit -- sold separately -- instead of the "MAIN" label.)
13. **Before energizing the panel**, ensure that ALL connections have been properly torqued, that the deadfront is installed and that all fillers are in place.

Installation as a 225A MAX subfeed breaker**:

14. Follow Steps 1 through 12, except that the kit must be installed at the SUBFEED end of the panel. (Any pre-existing assembly at that location must be removed prior to installation of this kit.) In addition, do **NOT** apply the "MAIN" label. Finish with Step 13.
- ** In panels rated over 250A, kits mount **ONLY** at the end of the interior designated for subfeeds. See reference drawing below.

