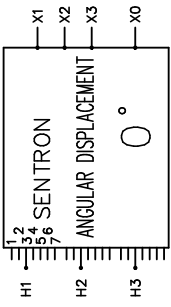




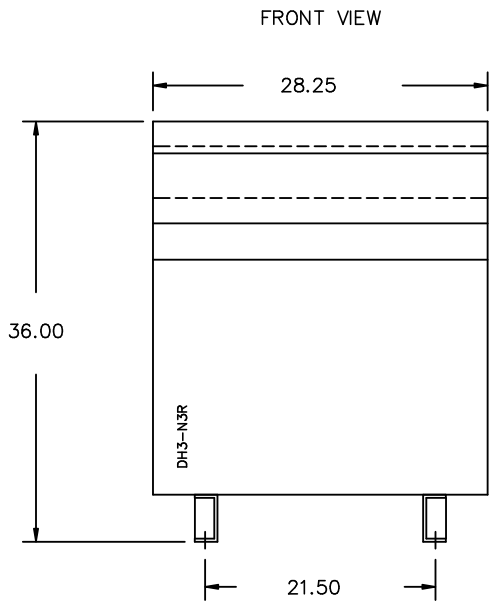
| REVISION | DATE | BY | DATE     | BY |
|----------|------|----|----------|----|
|          |      |    | 16/07/26 | LC |
|          |      |    |          |    |
|          |      |    |          |    |

|   |               |
|---|---------------|
| Confidential - Property of<br><b>Siemens Industry, Inc.</b> |               |
| CUSTOMER  |               |
| ORDER NO.   | DWG. NO.      |
|   | 3F3Y045FHD100 |
|   | SH 1 OF 2     |

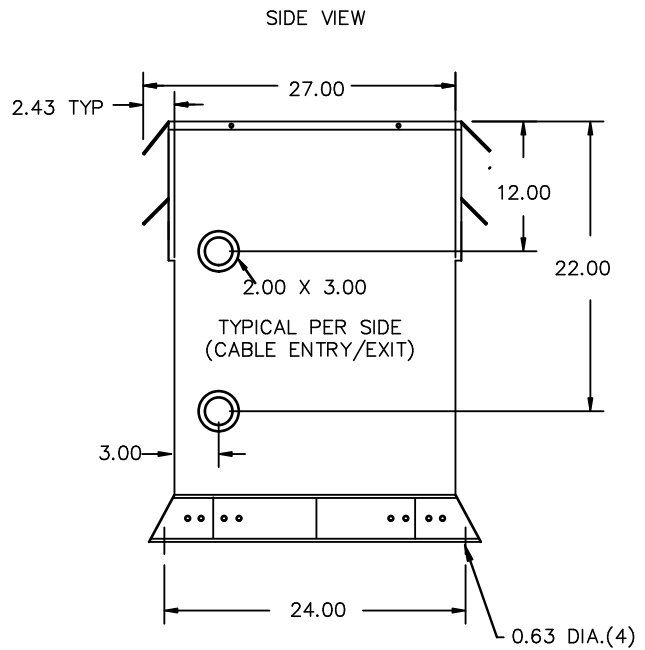
# SIEMENS

|  |   |     |   |     |   |     |   |     |   |     |   |     |   |     |   |  |
|--|---|-----|---|-----|---|-----|---|-----|---|-----|---|-----|---|-----|---|--|
| <p>CATALOG NO. 3F3Y045FHD100</p> <p>SERIAL NO. SERIES H</p> <p>45 kVA 60 Hz 3 PHASE</p> <p>3.9 % IMP AT 170 °C</p> <p>115 °C RISE °C AVG. AMBIENT</p> <p>220 °C TEMP CLASS °C MAX. AMBIENT</p> <p>PRIMARY ( H1 H2 H3 ) 480 V 10 kV BIL</p> <p>SECONDARY ( X1 X2 X3 ) 208Y/120 V 10 kV BIL</p> <p>NEUTRAL ( X0(200%) ) V</p> <p>WINDING MATERIAL AL</p> <p>ENCLOSURE TYPE 3R WEIGHT 485 LBS</p> <p>ENERGY EFFICIENCY EXCEEDS NEMA TPI-2002 DOE 10 CFR PART 431:2016</p> <p>SPACINGS BETWEEN ANY VENTILATED ENCLOSURE PANEL AND ANY ADJACENT WALL SHALL BE A MINIMUM OF 3 INCHES ELECTROSTATIC SHIELD</p> <p>SEISMIC QUALIFICATIONS, OSP-0136-10</p> <p>SUITABLE FOR INDOOR OR OUTDOOR LOCATIONS BEFORE HANDLING, INSTALLING AND OPERATING; SEE INSTRUCTION MANUAL</p> <p>NEMA Class ANN Dry Type Harmonic Mitigating Transformer Siemens Industry, Inc. Norcross, GA 6810703e</p> |  <p>ANGULAR DISPLACEMENT 0°</p> <p>VOLTS CONNECT</p> <table style="width: 100%;"> <tr><td>504</td><td>1</td></tr> <tr><td>492</td><td>2</td></tr> <tr><td>480</td><td>3</td></tr> <tr><td>468</td><td>4</td></tr> <tr><td>456</td><td>5</td></tr> <tr><td>444</td><td>6</td></tr> <tr><td>432</td><td>7</td></tr> </table> | 504 | 1 | 492 | 2 | 480 | 3 | 468 | 4 | 456 | 5 | 444 | 6 | 432 | 7 | <p>TYPE K</p>  <p>DRY TYPE TRANSFORMER 77UL5 E112313</p>  <p>LR 3902</p> <p>SEISMIC QUALIFICATIONS, FLOOR MOUNT ONLY<br/>OSP-0136-10 IBC 2012/ASCE 7-10<br/>SDS&lt;=2.0g z/h=1 p=1.5</p> |
| 504  | 1   |     |   |     |   |     |   |     |   |     |   |     |   |     |   |  |
| 492  | 2   |     |   |     |   |     |   |     |   |     |   |     |   |     |   |  |
| 480  | 3   |     |   |     |   |     |   |     |   |     |   |     |   |     |   |  |
| 468  | 4   |     |   |     |   |     |   |     |   |     |   |     |   |     |   |  |
| 456  | 5   |     |   |     |   |     |   |     |   |     |   |     |   |     |   |  |
| 444  | 6   |     |   |     |   |     |   |     |   |     |   |     |   |     |   |  |
| 432  | 7   |     |   |     |   |     |   |     |   |     |   |     |   |     |   |  |





All Dimensions in inches



ENCLOSURE COLOR :ANSI 61 GREY – OUTDOOR

H.V.1. TERMINAL DETAIL

L.V.1. TERMINAL DETAIL

MECHANICAL TYPE LUGS INCLUDED  
SUITABLE FOR #14-2 CU/AL  
CONDUCTORS  
1 CONDUCTOR PER PHASE

MECHANICAL TYPE LUGS INCLUDED  
SUITABLE FOR 250MCM-6 CU/AL  
CONDUCTORS  
1 CONDUCTOR PER PHASE

CUSTOMER NOTES:  
- HV1 TERMINATED AT BOTTOM FRONT  
- LV1 TERMINATED AT TOP FRONT  
200% RATING NEUTRAL

Confidential – Property of  
**Siemens Industry, Inc.**

| REVISION | DATE | BY      | DATE     | BY |
|----------|------|---------|----------|----|
|          |      | DRAWN   | 16/07/26 | LC |
|          |      | CHEK'D  |          |    |
|          |      | VERIF'D |          |    |

|           |                           |
|-----------|---------------------------|
| CUSTOMER  |                           |
| ORDER NO. | DWG. NO.<br>3F3Y045FHD100 |
| SH 2 OF 2 |                           |

0.1 Icem 2016/07/26 16:20