

SIEMENS

CATALOG NO. 1D1Y075CLN3TP1

SERIAL NO. SERIES H

75 kVA 60 Hz 1 PHASE

5.5 % IMP AT 170 °C

150 °C RISE 30 °C AVG. AMBIENT

220 °C TEMP CLASS 40 °C MAX. AMBIENT

PRIMARY (H1 H3 H2 H4) 240X480 V

SECONDARY(X4 X2 X3 X1) 120/240 V

WINDING MATERIAL CU

ENCLOSURE TYPE 3R

WEIGHT 595 LBS

SPACINGS BETWEEN ENCLOSURE AND ANY ADJACENT WALL SHALL BE A MINIMUM OF 5 INCHES MEETS TP1 EFFICIENCY SOUND LEVEL 47 DB

LISTED DISTRIBUTION TRANSFORMER 77US

TYPE F



E112313



LR 3902

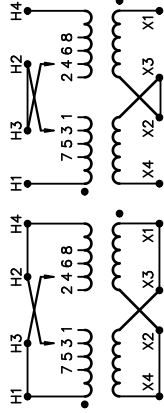
SUITABLE FOR INDOOR OR OUTDOOR LOCATIONS DO NOT INSTALL IN AREAS ACCESSIBLE TO PUBLIC NE PAS INSTALLER DANS DES ENDROITS ACCESSIBLES AU PUBLIC FOR INSTALLATION SEE INSTRUCTION MANUAL

NEMA Class ANN Dry Type Transformer Siemens Industry, Inc. Norcross, GA

dsu0002e



1D1Y075CLN3TP1



HAM1006

VOLTS	INPUT LINE ON H1 & H4 CONNECT
504	H2-1, H3-2
492	H3-2, H2-3
480	H2-3, H3-4
468	H3-4, H2-5
456	H2-5, H3-6
444	H3-6, H2-7
432	H2-7, H3-8
252	H2-1, H3-2
240	H2-3, H3-4
228	H2-5, H3-6
216	H2-7, H3-8

VOLTS	CONNECT	OUTPUT LINE
120	X1-X3 X2-X4	X1-X4
240	X2-X3	X1-X4
120/240	X2-X3	X1-X2-X4

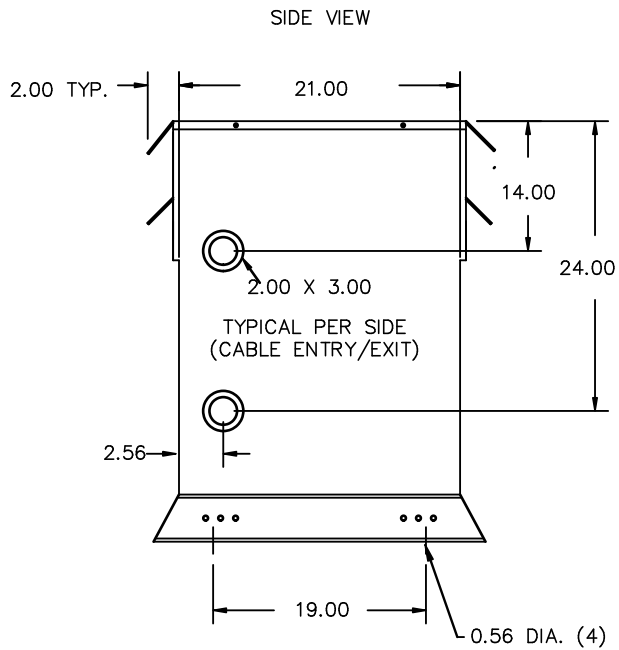
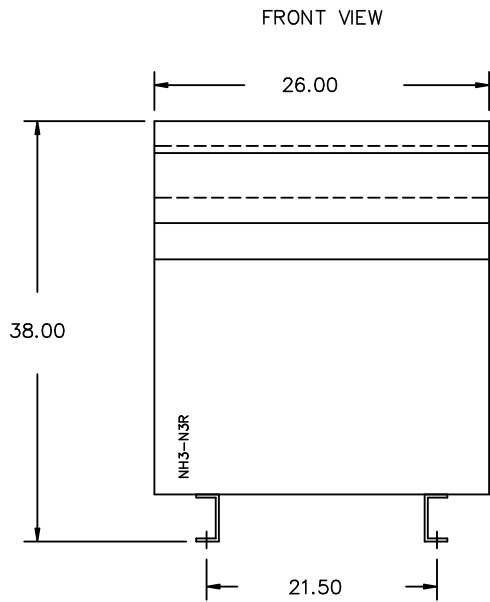
CONNECT TO H3 FOR SERIES PRIMARY

CONNECT TO H3 AND H2 TO H4 FOR PARALLEL PRIMARY

REVISION	DATE	BY	DATE	BY
1	14/11/07	RM	05/06/29	CY

Confidential - Property of Siemens Industry, Inc. Building Technologies Division

CUSTOMER	ORDER NO.	DWG. NO.	1
		1D1Y075CLN3TP1	SH 1 OF 2



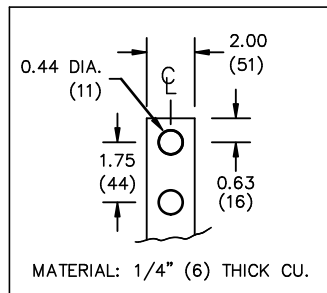
All Dimensions in inches

ENCLOSURE COLOR :ANSI 61 GREY- OUTDOOR

H.V.1. TERMINAL DETAIL

L.V.1. TERMINAL DETAIL

MECHANICAL TYPE LUGS INCLUDED
SUITABLE FOR 350MCM-6 CU/AL
CONDUCTORS
1 CONDUCTOR PER PHASE



CUSTOMER NOTES:

- HV1 TERMINATED AT TOP FRONT
- LV1 TERMINATED AT BOTTOM FRONT

Confidential - Property of
Siemens Industry, Inc.
Building Technologies Division

REVISION	DATE	BY	DATE	BY
			DRAWN 05/06/29	CY
			CHEK'D	
1	14/11/07	RM	VERIF'D	

CUSTOMER		
ORDER NO.	DWG. NO.	1
	1D1Y075CLN3TP1	SH 2 OF 2