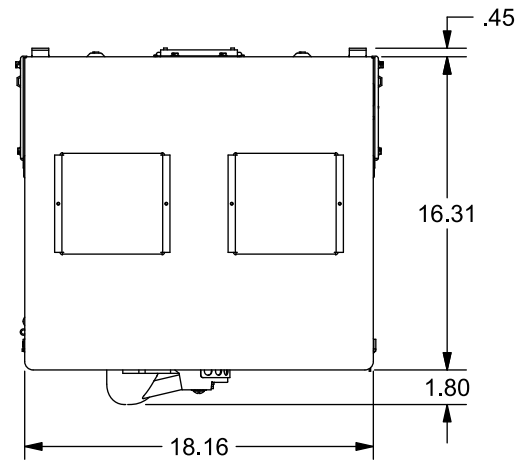
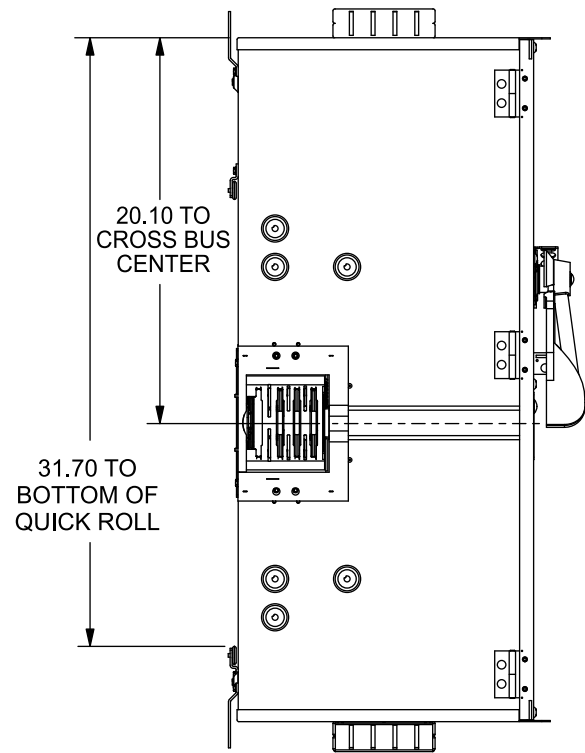
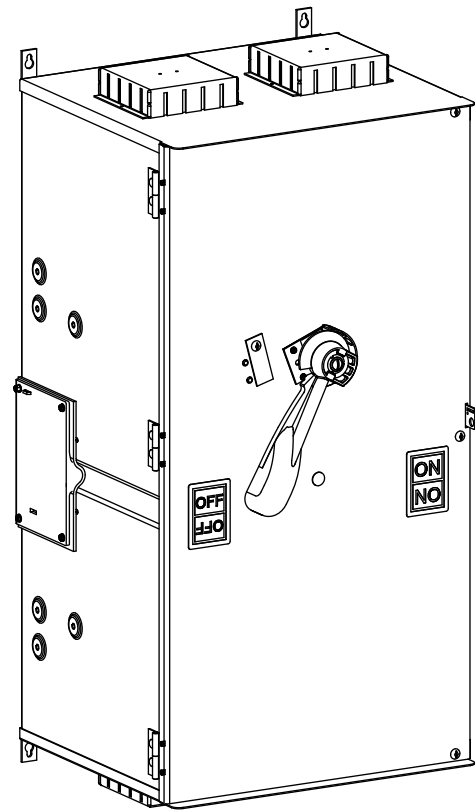
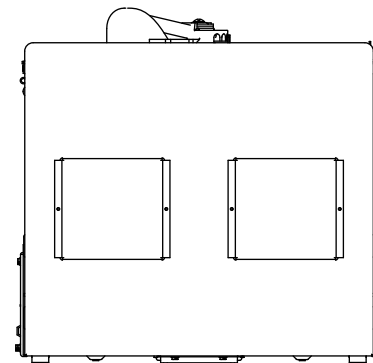
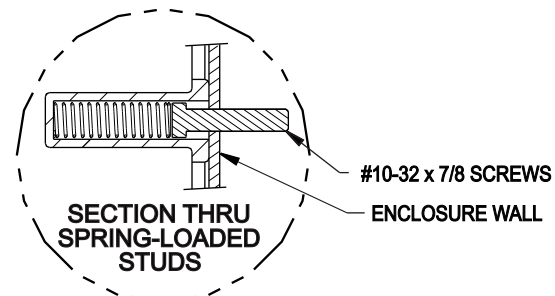
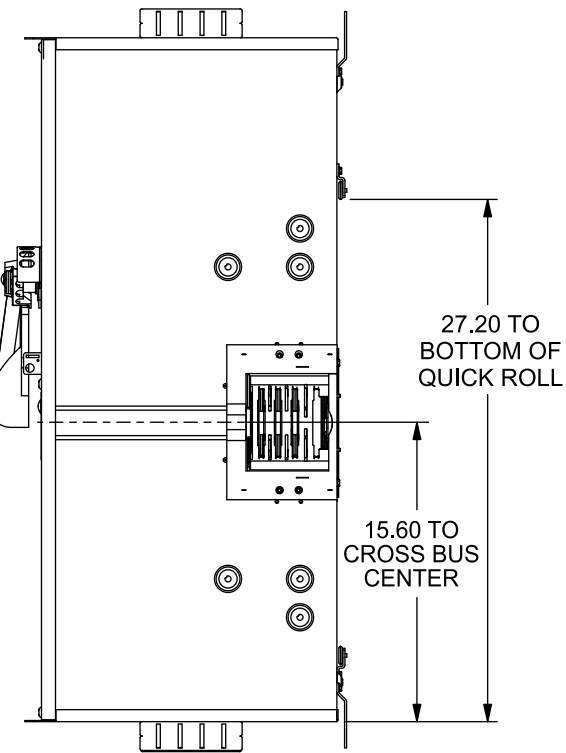
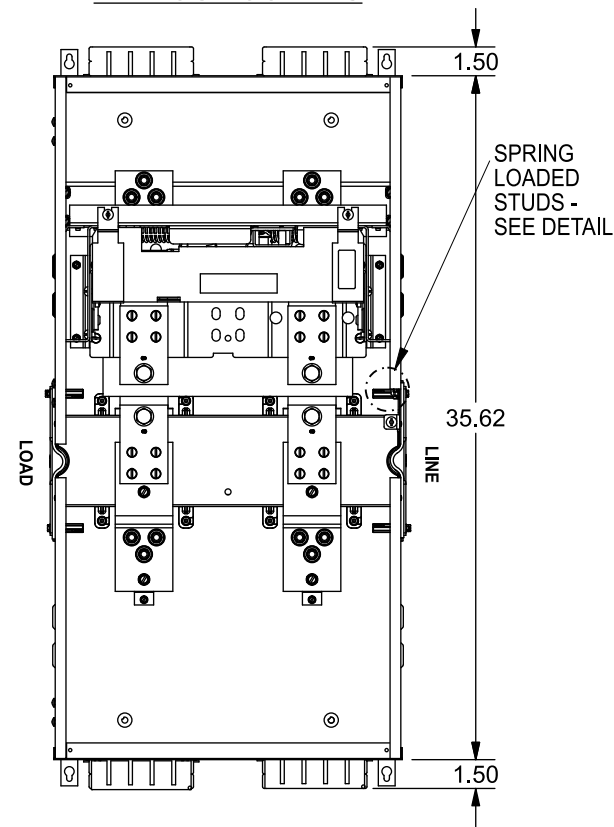


## Features and Ratings

- Cross Bus Switch Module
- Main Bus Rating: 1200 Amps
- Main Switch Rating: 800 Amps Max.  
(see Fuse For Actual Rating)
- 1 Phase, 240 Volts AC Max.
- 100,000 AIC Rating
- Type 3R Outdoor Enclosure
- Invertible For Left Or Right Side Feed
- Use Class T Fuses Only



### VIEW SHOWN WITHOUT COVERS



## Additional Modules

### IMPORTANT - for use with:

**Module . . . . . For Use With Siemens Series#**  
 Main Breakers . . . . . (W)MC, WB, WEB, WXB, WBT  
 Switches . . . . . WMP, WMS, WS, WES  
 Tap/Terminal Boxes . WMTB, WTB, WET, WT\_PU  
 Pull Boxes . . . . . WMMB  
 Meter Module . . . . . (W)MM, WxMM, (W)MT, (W)ML,  
 . . . . . (W)MK, (W)MLZ(F)  
 Meter Combinations WC, WCL, WCT  
 Extension Box . . . . . WMEX, WSP, WSPD  
 Bussed Elbow . . . . . BE, WELB

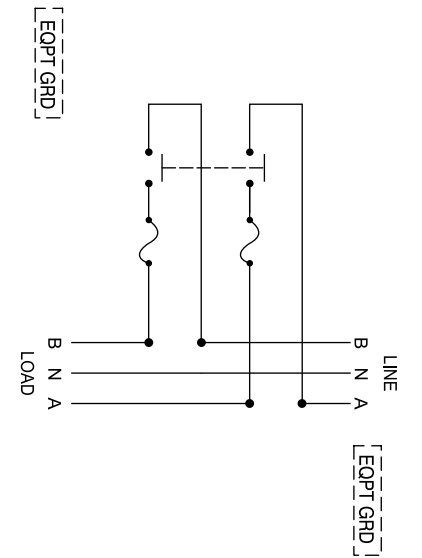
**Connect Modules Using: Cat. No. Torque**  
 Quick Connect QC1 400-440 lb-in (35-36 ft.-lb.)

## Accessories & Torques

**Accessories: Cat. No.**  
 Ground Bar ECLX069 or ECLX071  
 Switch Fuse Plate ECMMFSP800

Torque fuse mounting hardware to 225 lb-in.

## Schematic



**WARNING!**  
 This device is invertible for left or right side feed. The "LINE" and "LOAD" connections must be made as indicated to ensure the fuse bussing will be de-energized when the switch is in the OFF position.

## Catalog No. WXS1800NU

© 2016 Copyright Siemens Industry, Inc.

**SIEMENS**  
 Siemens Industry, Inc.

### PowerMod™ Module

Description: **1 Phase, 800A Max, Invertible, Indoor/Outdoor Cross Bus Switch**

KAM 8/26/16 DO NOT SCALE DRAWING Dwg No: **WXS1800NU**