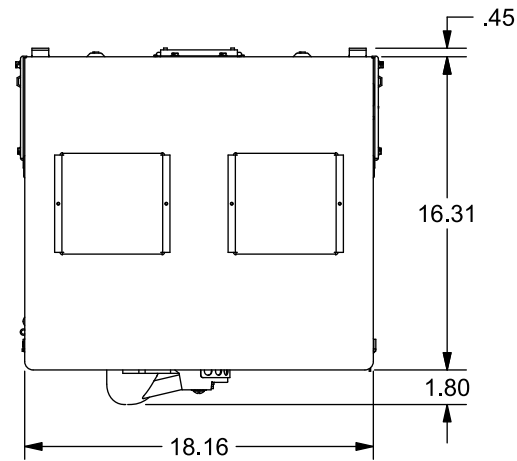
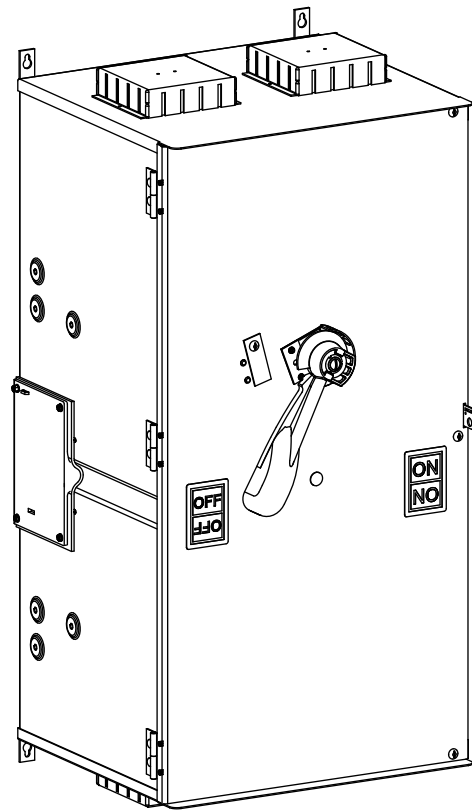
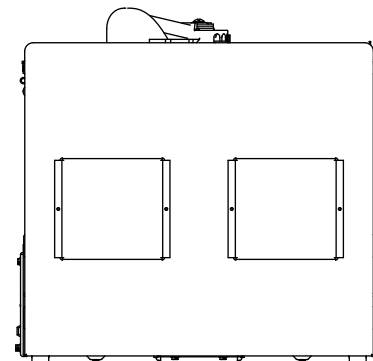
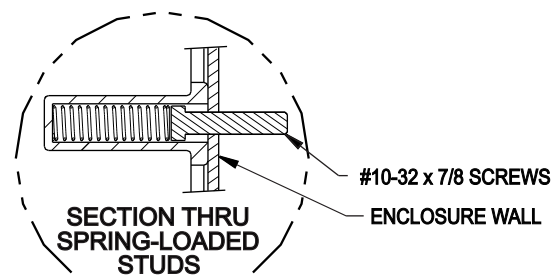
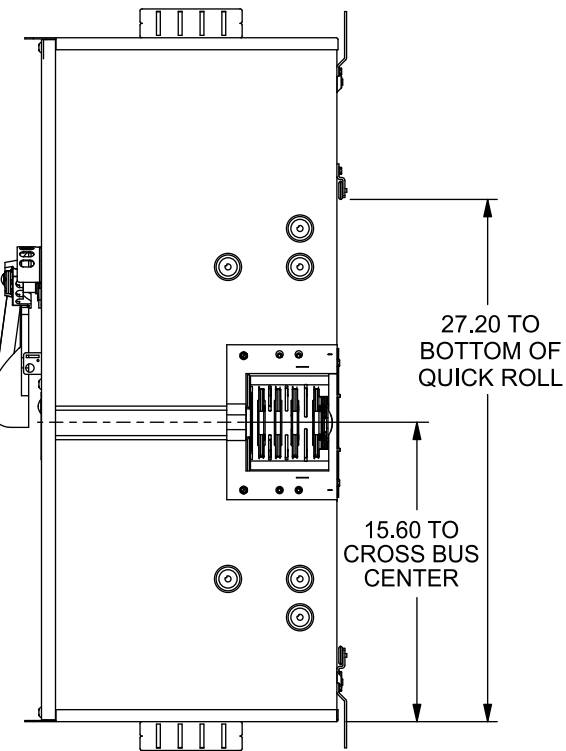
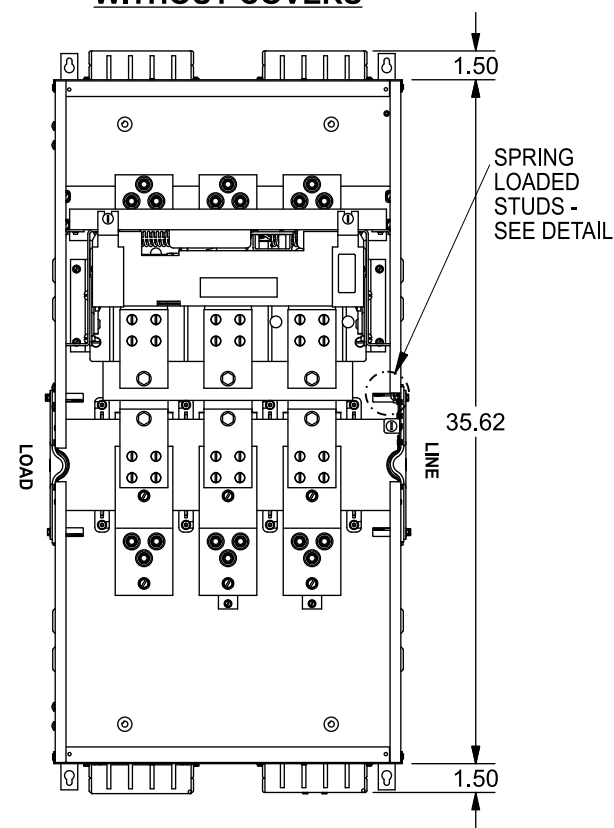
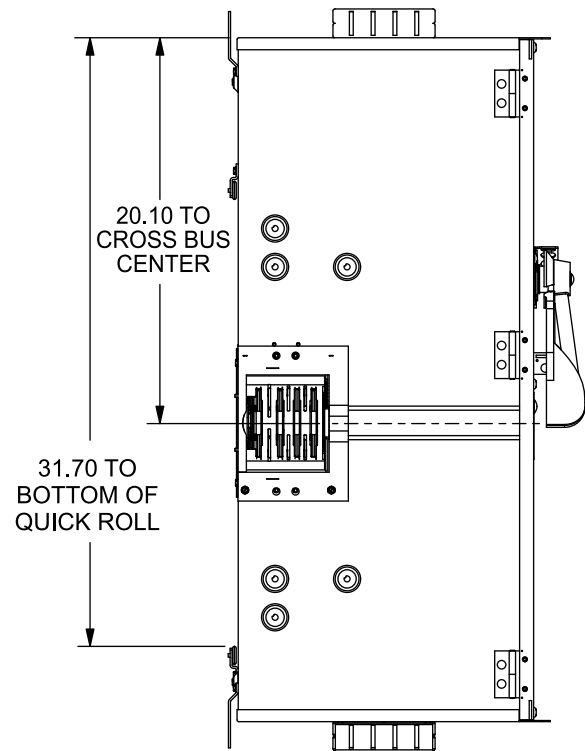


Features and Ratings

- Cross Bus Switch Module
- Main Bus Rating: 1200 Amps
- Main Switch Rating: 600 Amps Max.
(see Fuse For Actual Rating)
- 3 Phase, 240 Volts AC Max.
- 100,000 AIC Rating
- Type 3R Outdoor Enclosure
- Invertible For Left Or Right Side Feed
- Use Class T Fuses Only



VIEW SHOWN
WITHOUT COVERS



Additional Modules

IMPORTANT - for use with:

Module For Use With Siemens Series#
 Main Breakers (W)MC, WB, WEB, WXB, WBT
 Switches WMP, WMS, WS, WES
 Tap/Terminal Boxes . WMTB, WTB, WET, WT_PU
 Pull Boxes WMMB
 Meter Module (W)MM, WxMM, (W)MT, (W)ML,
 (W)MK, (W)MLZ(F)
 Meter Combinations WC, WCL, WCT
 Extension Box WMEX, WSP, WSPD
 Bussed Elbow BE, WELB

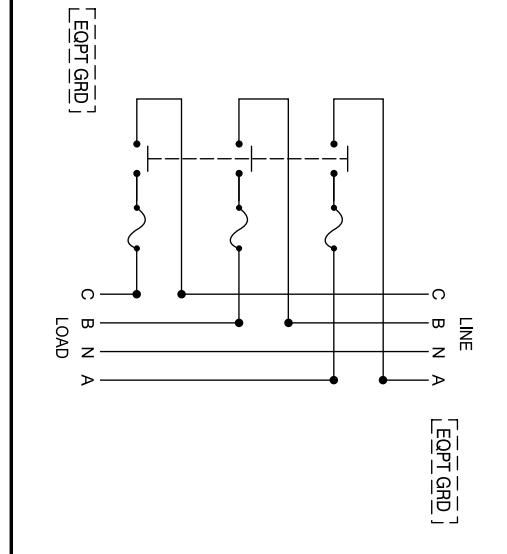
Connect Modules Using: Cat. No. Torque
 Quick Connect QC4 400-440 lb-in (35-36 ft.-lb.)

Accessories & Torques

Accessories: Cat. No.
 Ground Bar ECLX069 or ECLX071
 Switch Fuse Plate ECMMFSP600

Torque fuse mounting hardware to 150 lb-in.

Schematic



WARNING!
 This device is invertible for left or right side feed. The "LINE" and "LOAD" connections must be made as indicated to ensure the fuse bussing will be de-energized when the switch is in the OFF position.

Catalog No. WXS3600NU

© 2016 Copyright Siemens Industry, Inc.

SIEMENS
 Siemens Industry, Inc.

PowerMod™ Module

Description: **3 Phase, 600A Max, Invertible, Indoor/Outdoor Cross Bus Switch**

KAM 8/26/16 DO NOT SCALE DRAWING Dwg No: **WXS3600NU**