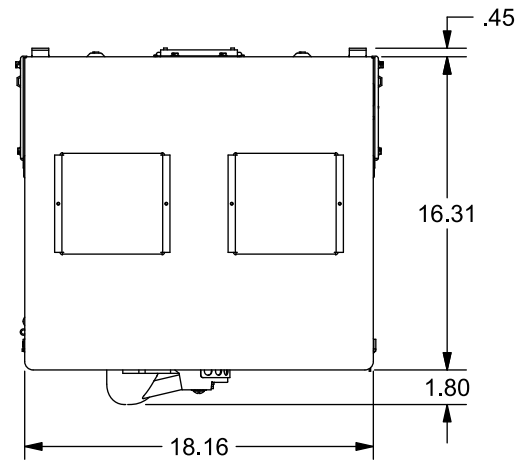
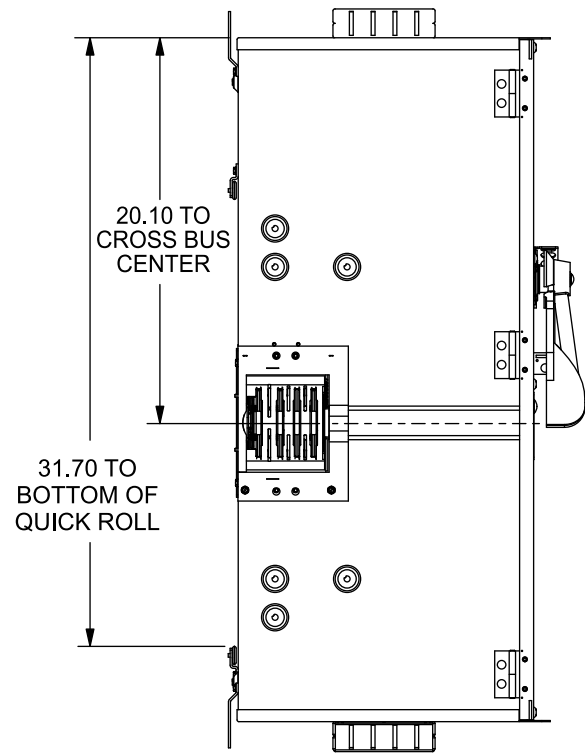
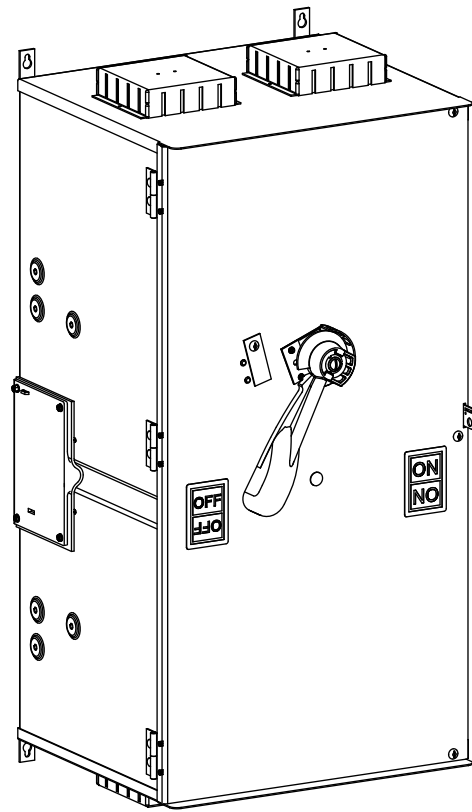
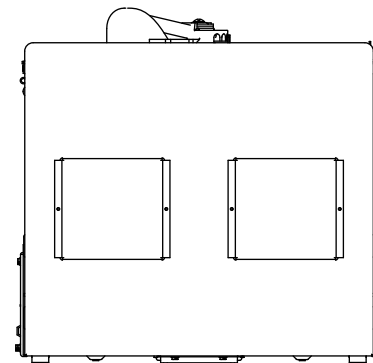
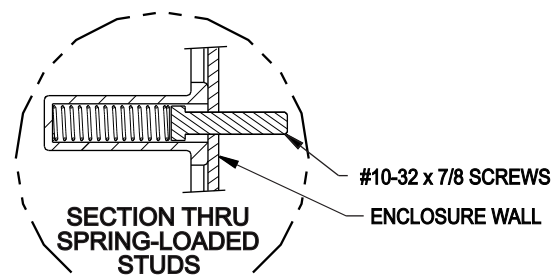
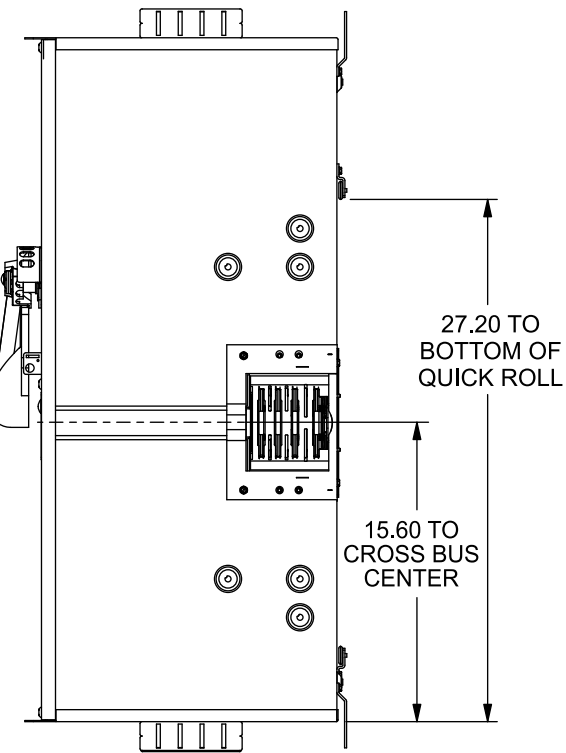
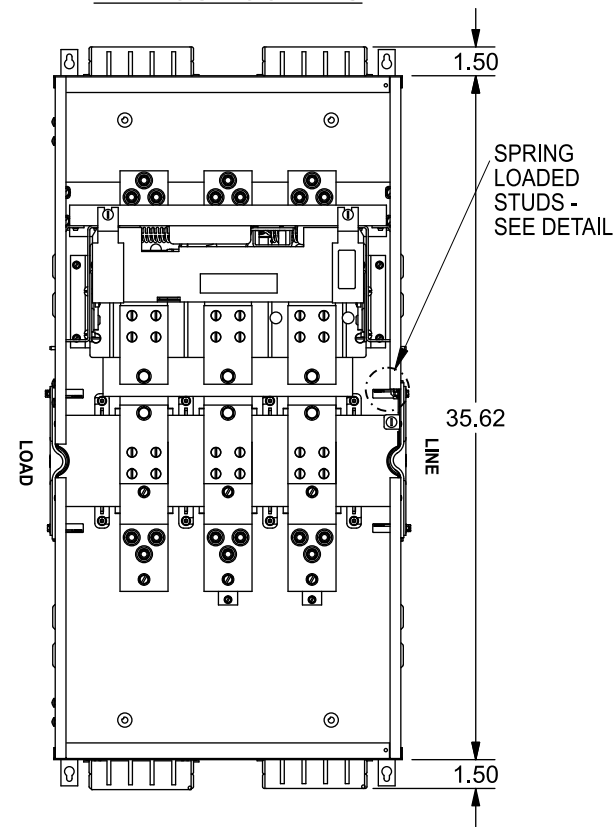


Features and Ratings

- Cross Bus Switch Module
- Main Bus Rating: 1200 Amps
- Main Switch Rating: 400 Amps Max.
(see Fuse For Actual Rating)
- 3 Phase, 240 Volts AC Max.
- 100,000 AIC Rating
- Type 3R Outdoor Enclosure
- Invertible For Left Or Right Side Feed
- Use Class T Fuses Only



VIEW SHOWN WITHOUT COVERS



Additional Modules

IMPORTANT - for use with:

Module	For Use With Siemens Series#
Main Breakers	(W)MC, WB, WEB, WXB, WBT
Switches	WMP, WMS, WS, WES
Tap/Terminal Boxes	WMTB, WTB, WET, WT_PU
Pull Boxes	WMMB
Meter Module	(W)MM, WxMM, (W)MT, (W)ML, (W)MK, (W)MLZ(F)
Meter Combinations	WC, WCL, WCT
Extension Box	WMEX, WSP, WSPD
Bussed Elbow	BE, WELB

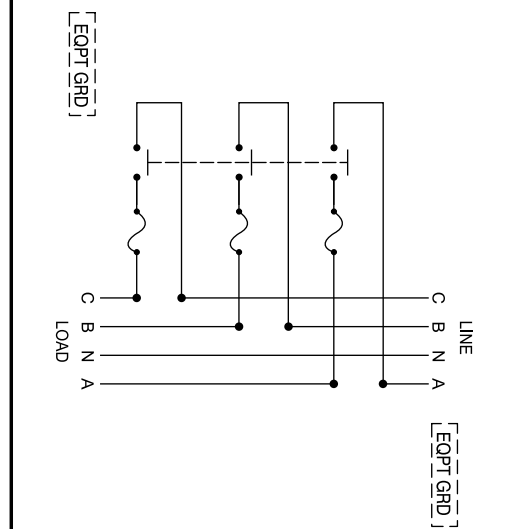
Connect Modules Using: Cat. No. _____ Torque _____
Quick Connect QC4 400-440 lb-in (35-36 ft.-lb.)

Accessories & Torques

Accessories:	Cat. No.
Ground Bar	ECLX069 or ECLX071
Switch Fuse Plate	ECMMFSP400

Torque fuse mounting hardware to 125 lb-in.

Schematic



WARNING!
This device is invertible for left or right side feed. The "LINE" and "LOAD" connections must be made as indicated to ensure the fuse bussing will be de-energized when the switch is in the OFF position.

Catalog No. WXS3400NU

© 2016 Copyright Siemens Industry, Inc.

SIEMENS
Siemens Industry, Inc.

PowerMod™ Module

Description: **3 Phase, 400A Max, Invertible, Indoor/Outdoor Cross Bus Switch**

KAM 8/26/16 DO NOT SCALE DRAWING Dwg No: **WXS3400NU**