

FOR APPROVAL ONLY

- MADE IN USA

SIEMENS

CATALOG NO. 3F3Y015FCN4BA
 SERIAL NO. SERIES H
 15 kVA 60 Hz 3 PHASE
 3.5 % IMP AT 135 °C

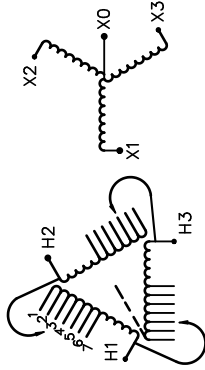
115 °C RISE 30 °C AVG. AMBIENT
 200 °C TEMP CLASS 40 °C MAX. AMBIENT
 PRIMARY (H1 H2 H3) 480 V
 SECONDARY(X0 X1 X2 X3) 208Y/120 V

WINDING MATERIAL CU
 ENCLOSURE TYPE 4
 WEIGHT 320 LBS

SPACINGS BETWEEN ANY VENTILATED ENCLOSURE PANEL AND ANY ADJACENT WALL SHALL BE A MINIMUM OF 3 INCHES

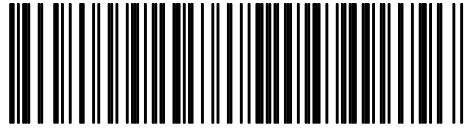
SUITABLE FOR INDOOR OR OUTDOOR LOCATIONS
 BEFORE HANDLING, INSTALLING AND OPERATING, SEE INSTRUCTION MANUAL

NEMA Class ANC Dry Type Transformer Siemens Industry, Inc. Norcross, GA



VOLTS	CONNECT
504	1
492	2
480	3
468	4
456	5
444	6
432	7

TYPE KN
 DRY TYPE TRANSFORMER
 77U5 E112313 LISTED
 LR 3902
dsu0001e

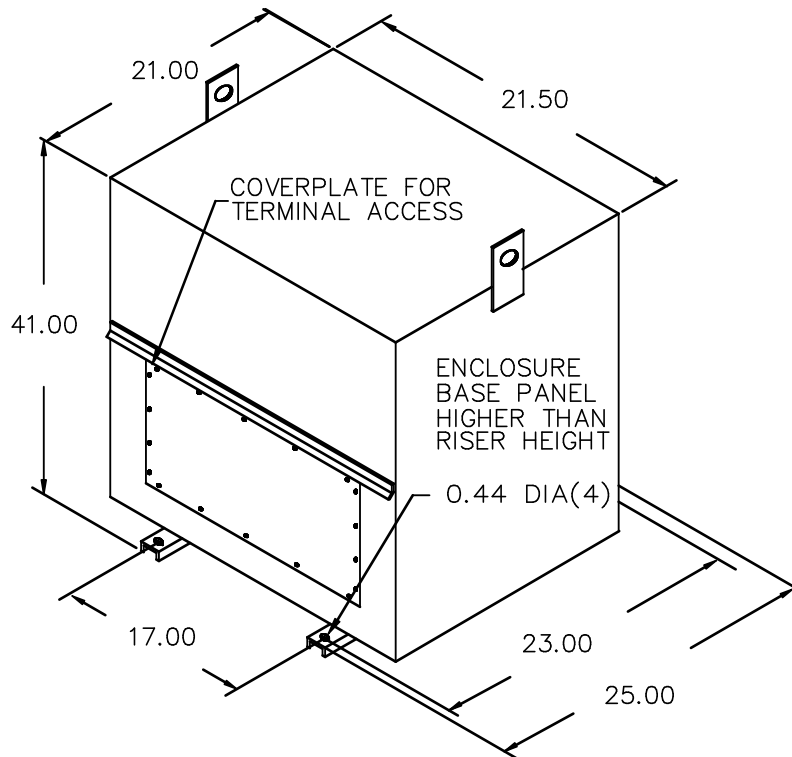


3F3Y015FCN4BA

REVISION	DATE	BY	DATE	BY
			16/06/02	GP
		CHEK'D		
		VERIF'D		

Confidential - Property of Siemens Industry, Inc.	
CUSTOMER	
ORDER NO.	DWG. NO.
	3F3Y015FCN4BA
	SH 1 OF 2

FOR APPROVAL ONLY



All Dimensions in inches

ENCLOSURE COLOR :ANSI 61 GREY – OUTDOOR

H.V.1. TERMINAL DETAIL

L.V.1. TERMINAL DETAIL

MECHANICAL TYPE LUGS INCLUDED
SUITABLE FOR #14-2 CU/AL
CONDUCTORS
1 CONDUCTOR PER PHASE

MECHANICAL TYPE LUGS INCLUDED
SUITABLE FOR #14-2 CU/AL
CONDUCTORS
1 CONDUCTOR PER PHASE

CUSTOMER NOTES:

- HV1 TERMINATED AT TOP FRONT
- LV1 TERMINATED AT BOTTOM FRONT

Confidential – Property of
Siemens Industry, Inc.

REVISION	DATE	BY	DATE	BY
		DRAWN	16/06/02	GP
		CHEK'D		
		VERIF'D		

CUSTOMER	
ORDER NO.	DWG. NO. 3F3Y015FCN4BA
SH 2 OF 2	

0.0 gpatel 2016/06/02 12:39