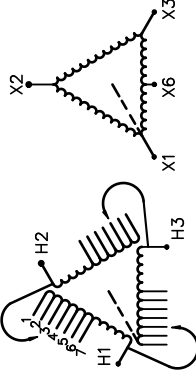


REVISION	DATE	BY	DATE	BY
		DRAWN	16/07/05	PP
		CHEK'D		
		VERIF'D		

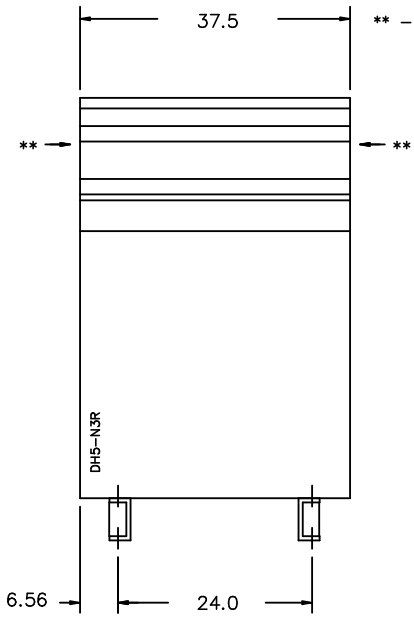
Confidential - Property of Siemens Industry, Inc.	
CUSTOMER	
ORDER NO.	DWG. NO.
	3F1Y300FESCD16
	SH 1 OF 2

SIEMENS

CATALOG NO. 3F1Y300FESCD16 SERIAL NO. SERIES H 300 kVA 60 Hz 3 PHASE 4.6 % IMP AT 135 °C			
115 °C RISE 220 °C TEMP CLASS	30 °C AVG. AMBIENT 40 °C MAX. AMBIENT	VOLTS CONNECT 504 492 480 468 456 444 432	
PRIMARY (H1 H2 H3) SECONDARY(X1 X2 X3)) 480V V 10 kV BIL) 240V V 10 kV BIL	WINDING MATERIAL CU ENCLOSURE TYPE 3R WEIGHT 1900 LBS ENERGY EFFICIENCY EXCEEDS CSA C802.2-2012 DOE 10 CFR PART 431:2016	
SPACINGS BETWEEN ANY VENTILATED ENCLOSURE PANEL AND ANY ADJACENT WALL SHALL BE A MINIMUM OF 5 INCHES EXCEPT WHEN WALL MOUNTED USING APPROVED WALL MOUNTING KIT X6=120V CT, 5% OF KVA RATING MAXIMUM ELECTROSTATIC SHIELD			
SUITABLE FOR INDOOR OR OUTDOOR LOCATIONS BEFORE HANDLING, INSTALLING AND OPERATING; SEE INSTRUCTION MANUAL NEMA Class ANN Dry Type Transformer Siemens Industry, Inc. Norcross, GA dsu0086e			
TYPE K DRY TYPE TRANSFORMER 77UL E112313 LISTED		SEISMIC QUALIFICATIONS, FLOOR MOUNT ONLY OSP-0136-10 IBC 2012/ASCE 7-10 SDS<=2.0g z/h=1 Ip=1.5	

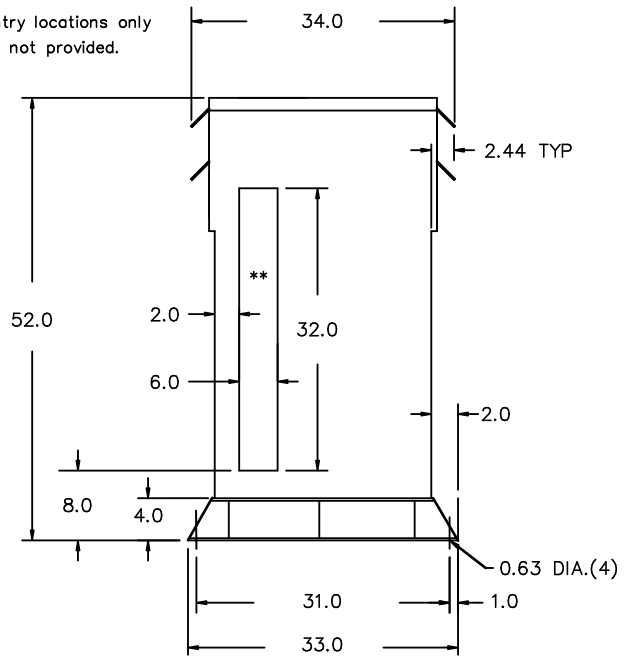


FRONT VIEW



** - Recommended cable entry locations only
cutouts & gland plates not provided.

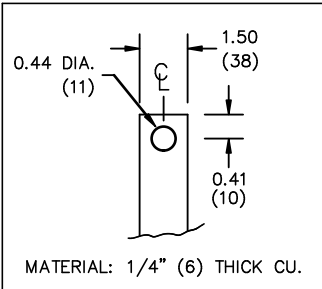
SIDE VIEW



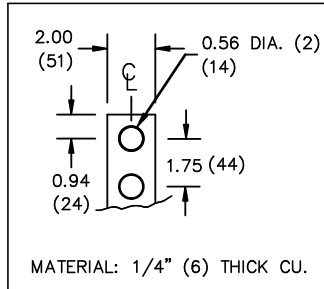
All Dimensions in inches

ENCLOSURE COLOR : ANSI 61 GREY - OUTDOOR

H.V.1. TERMINAL DETAIL



L.V.1. TERMINAL DETAIL



CUSTOMER NOTES:

- HV1 TERMINATED AT TOP FRONT
- LV1 TERMINATED AT BOTTOM FRONT

Confidential - Property of
Siemens Industry, Inc.

REVISION	DATE	BY	DATE	BY
			16/07/05	PP

CUSTOMER	
ORDER NO.	DWG. NO.
	3F1Y300FESCD16
	SH 2 OF 2