

# SIEMENS

## 400A OEM CHASSIS

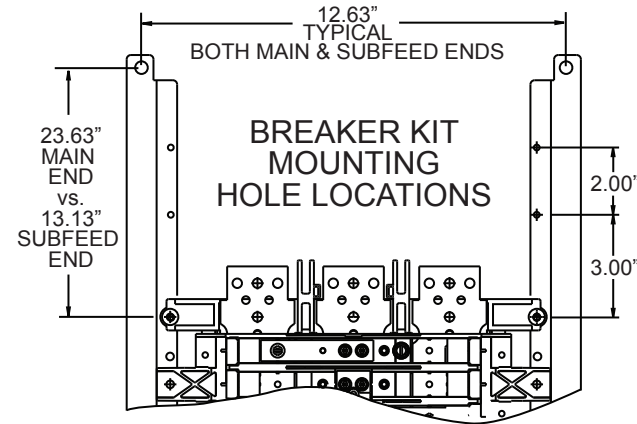
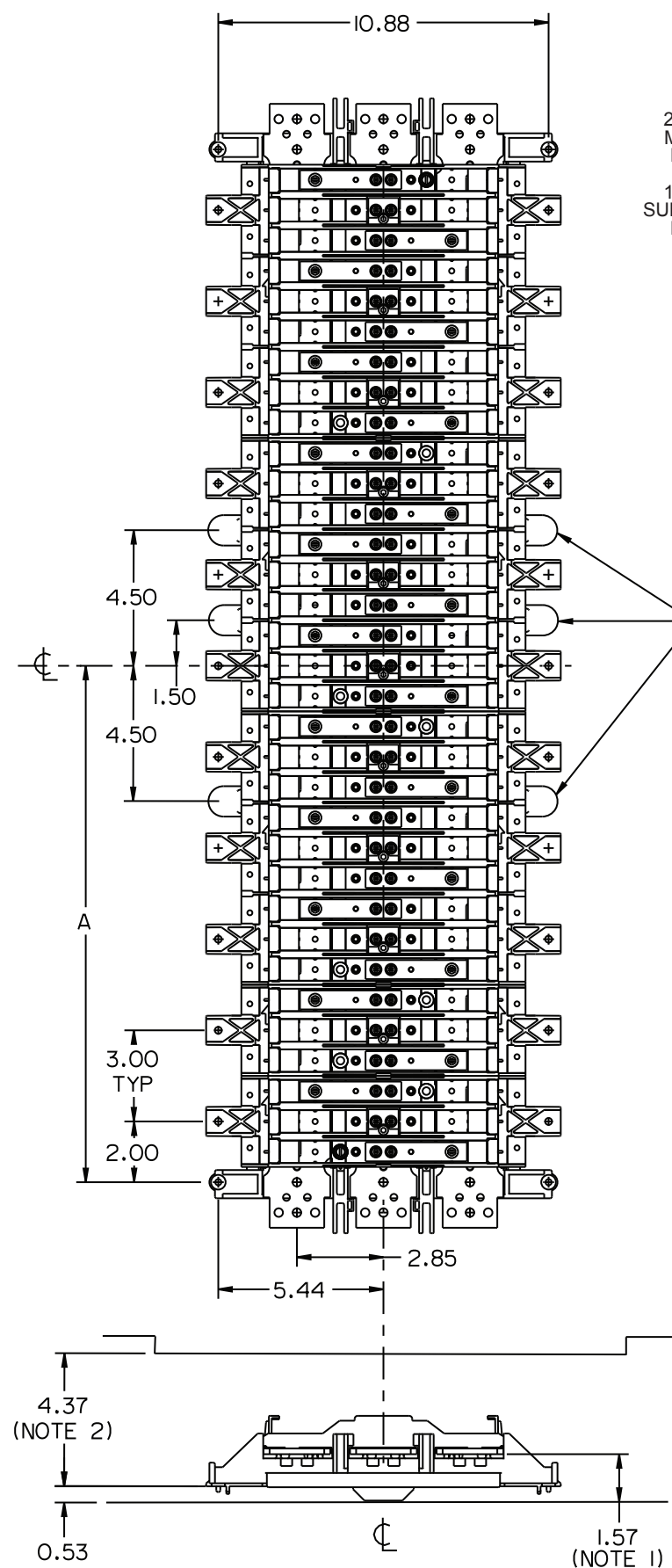
(for use in Revised P1 Panelboard configurations ONLY)<sup>1</sup>

Installation  
Instructions

These instructions do not purport to cover all details or variations in equipment, or to provide for every possible contingency to be met in connection with installation, operation or maintenance. Should further information be desired or should particular problems arise, which are not covered sufficiently for the purchaser's purposes, the matter should be referred to the local Siemens sales office. The contents of this Instruction manual shall not become part of or modify any prior or existing agreement, commitment or relationship. The sales contract contains the entire obligation of Siemens. The warranty contained in the contract between the parties is the sole warranty of Siemens. Any statements contained herein do not create new warranties or modify the existing warranty.

Trademarks - Unless otherwise noted, all names identified by ® are registered trademarks of Siemens AG or Siemens Industry, Inc. The remaining trademarks in this publication may be trademarks whose use by third parties for their own purposes could violate the rights of the owner.

<sup>1</sup> OEM will need to identify internally where the new Revised chassis will be used. There are differences in the mounting and bus connection points to be considered. Will NOT replace Original P1 chassis directly.



PANEL CIRCUITS	30	42	54	66
A	8"	11"	14"	17"

INTERMEDIATE SUPPORT(S)  
(SEE NOTES 4, 5 and 6)

**NOTES:**

- 1.57" between panel bus and base for use of Revised P1 main kits.
- 4.37" to back of deadfront. Deadfront to be provided by customer.
- Clearances to hardware or components mounted to the underside of the bus may require the use of an insulating barrier.
- One intermediate support shipped separately with the chassis should be installed at 1.50" from the centerline for 54 & 66 circuit **1-phase** panels.
- One intermediate support shipped separately with the chassis should be installed at 1.50" from the centerline for 42 circuit **3-phase** panels.
- Two intermediate supports shipped separately with the chassis should be installed at 4.50" from the centerline for 54 & 66 circuit **3-phase** panels.

# Installation Instructions

The following instructions are for the installation of a Siemens Revised P1 panelboard OEM chassis.



**Panel Data:**

- SHORT-CIRCUIT RATING:** The short-circuit rating of this panel is 200 KA maximum or the lowest rated device installed. If no protective device is provided either integral or remote and the interior has subfeed or feed-through lugs then the short-circuit rating is limited to 22 KA.
- VOLTAGE RATING:** 240 volt maximum when used with BL, HBL, BLH, BLE and BLF branch devices. 480Y/277 volt maximum when used with BQD branch devices. Note that clearances per UL 67 must be maintained.
- AMPERAGE RATING:** The panel interior has been tested to 400 amps when used in a minimum size enclosure of 20" WIDE x 5.75" DEEP x 56" HIGH with copper or aluminum bus.

PC. NO.	DESCRIPTION	BUS
K-11-D-2555-01	30 CIRCUIT, 1Ø	AL
K-11-D-2557-01	30 CIRCUIT, 3Ø	
K-11-D-2555-02	42 CIRCUIT, 1Ø	
K-11-D-2557-02	42 CIRCUIT, 3Ø	
K-11-D-2555-03	54 CIRCUIT, 1Ø	CU
K-11-D-2557-03	54 CIRCUIT, 3Ø	
K-11-D-2555-04	66 CIRCUIT, 1Ø	
K-11-D-2557-04	66 CIRCUIT, 3Ø	
K-11-D-2554-01	30 CIRCUIT, 1Ø	CU
K-11-D-2556-01	30 CIRCUIT, 3Ø	
K-11-D-2554-02	42 CIRCUIT, 1Ø	
K-11-D-2556-02	42 CIRCUIT, 3Ø	
K-11-D-2554-03	54 CIRCUIT, 1Ø	CU
K-11-D-2556-03	54 CIRCUIT, 3Ø	
K-11-D-2554-04	66 CIRCUIT, 1Ø	
K-11-D-2556-04	66 CIRCUIT, 3Ø	

**NOTE: Neutrals are NOT provided.**

