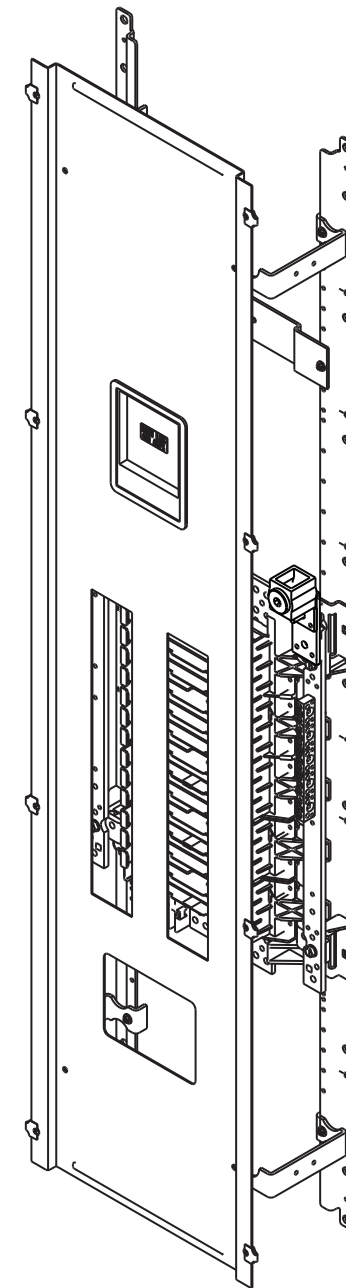


SIEMENS

P1-400 Panelboard Kit 4MLKC1A, 4MLKC3A Copper Lugs

(for use in Revised P1 Panelboards ONLY)¹

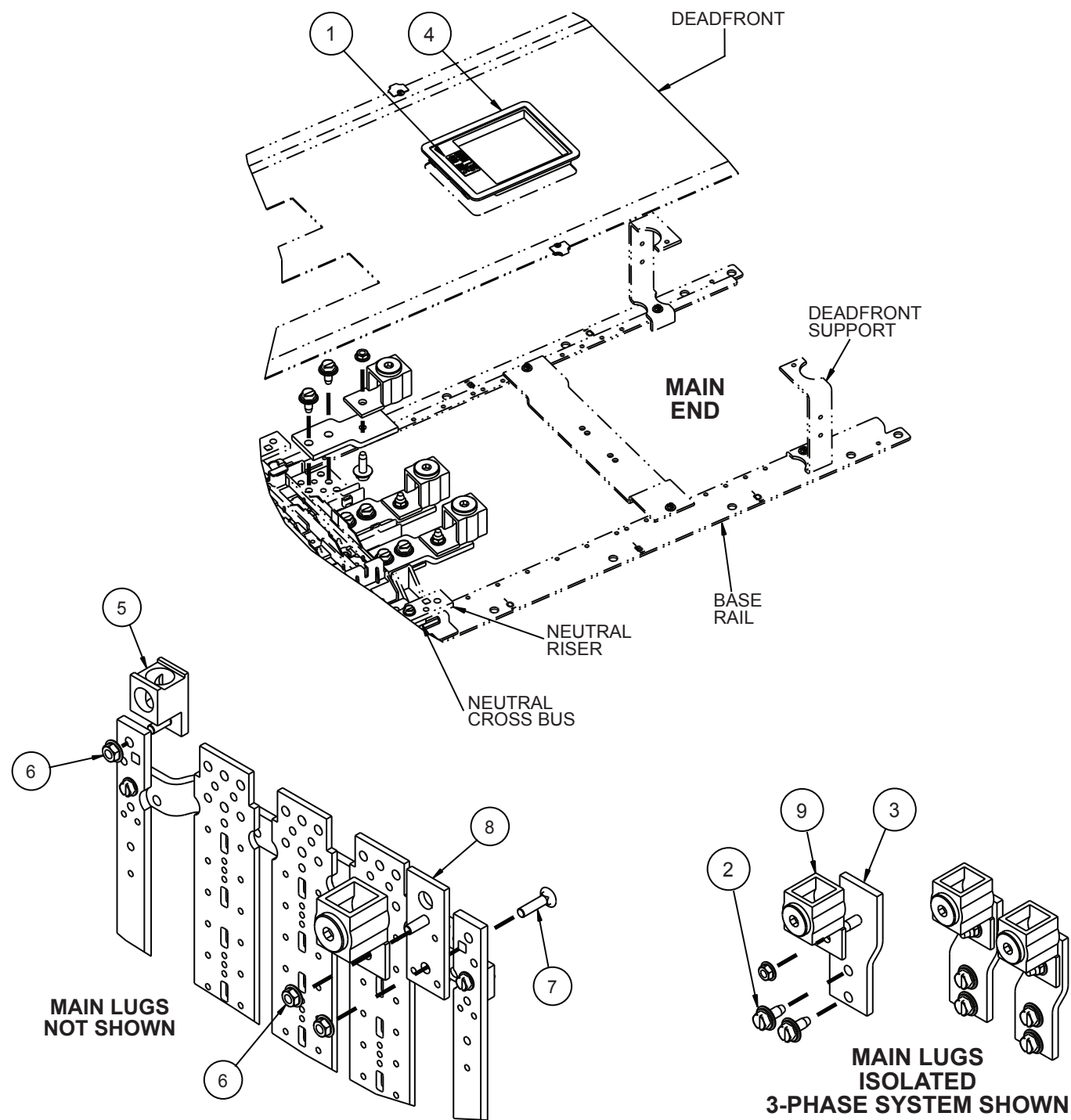
Installation
Instructions



These instructions do not purport to cover all details or variations in equipment, or to provide for every possible contingency to be met in connection with installation, operation or maintenance. Should further information be desired or should particular problems arise, which are not covered sufficiently for the purchaser's purposes, the matter should be referred to the local Siemens sales office. The contents of this Instruction manual shall not become part of or modify any prior or existing agreement, commitment or relationship. The sales contract contains the entire obligation of Siemens. The warranty contained in the contract between the parties is the sole warranty of Siemens. Any statements contained herein do not create new warranties or modify the existing warranty.

Trademarks - Unless otherwise noted, all names identified by ® are registered trademarks of Siemens AG or Siemens Industry, Inc. The remaining trademarks in this publication may be trademarks whose use by third parties for their own purposes could violate the rights of the owner.

¹ To confirm, note the part number of the panel (marked on the interior label). If it ends in an "N" or a "T" it is a "Revised P1" and is compatible with this kit. (For example: P1E42MC250A is an Original P1; P1E42MC250AT is a Revised P1)



THIS KIT CONTAINS THE FOLLOWING ITEMS:

ITEM	DESCRIPTION	QTY
1	400A MAIN LUG LABEL	1
2	5/16"-18 x 3/4" SEMS* THREAD-FORMING SCREW	**
3	MAIN LUG PAD ASSEMBLY	***
4	BLANK FILLER	1
5	SERVICE GROUND ELECTRODE LUG ASSEMBLY	1
6	1/4"-20 BELLEVILLE WASHER NUT	****
7	1/4"-20 x 1" CARRIAGE BOLT	1
8	NEUTRAL LUG PAD ASSEMBLY	1
9	600 kcmil LUG	****

* SEMS ASSEMBLY SCREWS HAVE A CAPTIVE WASHER ON THE SCREW
 ** (4) FOR 1-PHASE; (6) FOR 3-PHASE
 *** (2) FOR 1-PHASE; (3) FOR 3-PHASE
 **** (5) FOR 1-PHASE; (6) FOR 3-PHASE
 ***** (3) FOR 1-PHASE; (4) FOR 3-PHASE

Installation Instructions

The following instructions are for the installation of a Siemens main / feed-thru copper lug kit in a Revised P1, 400 amp Panelboard, for single 600 kcmil max copper conductor ONLY. The parts provided in this kit are for connection to a 1-phase 2 or 3-wire system OR a 3-phase 3 or 4-wire systems. For 1-phase systems, disregard the B-phase lug. For systems with no neutrals, disregard the neutral instructions.

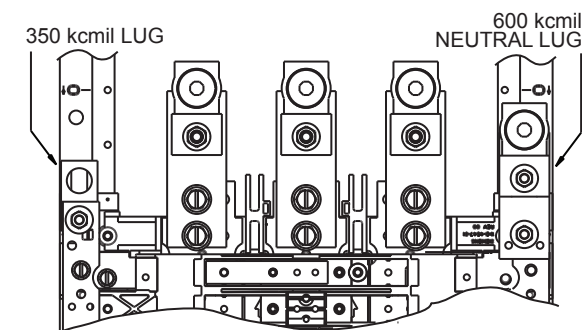
⚠ DANGER
Hazardous voltage. Will cause death or serious injury.
 Keep out.
 Qualified personnel only.
 Disconnect and lock off all power before working on this equipment.

1. Lock off all power supplying this equipment before working on it.
2. Remove the deadfront.
3. To install this kit for main lug use, remove the main (if installed). NOTE: Main lugs must be installed at the designated main end of the panel.
4. Position the main lug pad assemblies (item 3) as shown. Fasten each assembly to the panel section or main bus using two 5/16"-18 x 3/4" SEMS thread-forming screws (item 2) per pad. Mount each 600 kcmil lug (item 9) onto the exposed lug pad assembly stud and secure with a 1/4"-20 belleville washer nut (item 6).
5. On 1-phase 3-wire or 3-phase 4-wire systems, neutral lugs are required. Position the neutral lug pad assembly (item 8) on top of the neutral riser, allowing the carriage bolt (item 7) to pass through the riser square hole as shown. NOTE: Ensure the half-shear on the bottom of the lug pad assembly aligns with a clearance hole in the neutral riser to act as an anti-turn feature. Fasten it to the riser with a 1/4"-20 belleville washer nut (item 6). Next mount the lug onto the lug pad stud and ensure it is properly aligned (not skewed). Fasten with a 1/4"-20 belleville washer nut (item 6).
6. If the panelboard is being used as service equipment, a grounding electrode conductor is required. Position the grounding electrode lug assembly (item 5) under the neutral riser, slide until fully seated and secure with a 1/4"-20 belleville washer nut (item 6).
7. Torque all connections to the values specified on the Hardware Tightening Torque label affixed to the rear of the deadfront.
8. Attach the cables to the lugs and torque the connections to the values specified on the lugs. If no values are specified on the lugs, refer to the Hardware Tightening Torque label located on the rear of the deadfront.
9. A label (item 1) is provided to identify as a 400A main lug panel. Apply the label to the center of the blank filler (item 4).
10. Before energizing the panel, ensure that all connections have been properly torqued, that the deadfront is installed and that all fillers are in place.

For installation as feed-thru lugs*:

11. Follow Steps 1 through 9, except that the kit must be installed at the feed-thru or subfeed end of the panel and any pre-existing assembly at that location must be removed prior to installation of this kit. In addition, do not install the "MAIN LUG" label. Finish with Step 10.

* For panels with feed-thru or subfeed space ONLY



FRONT VIEW
3-PHASE 4-WIRE SYSTEM SHOWN