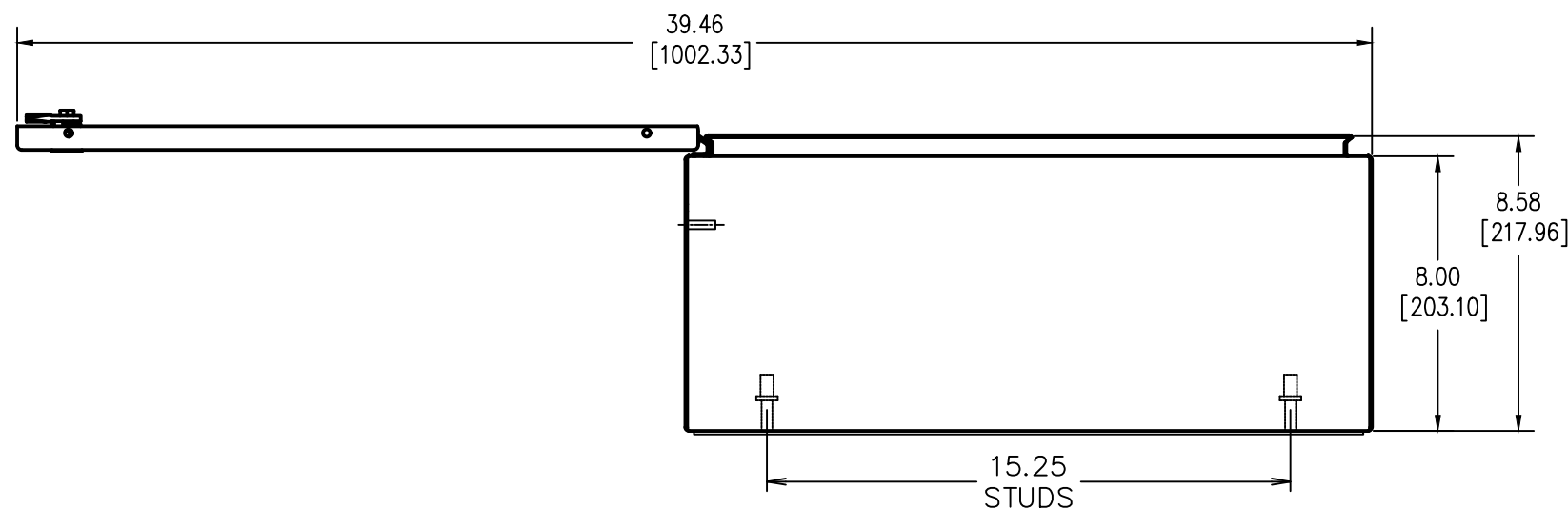
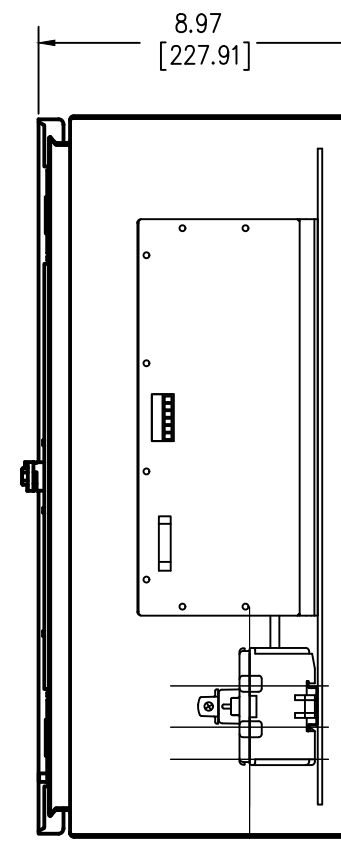
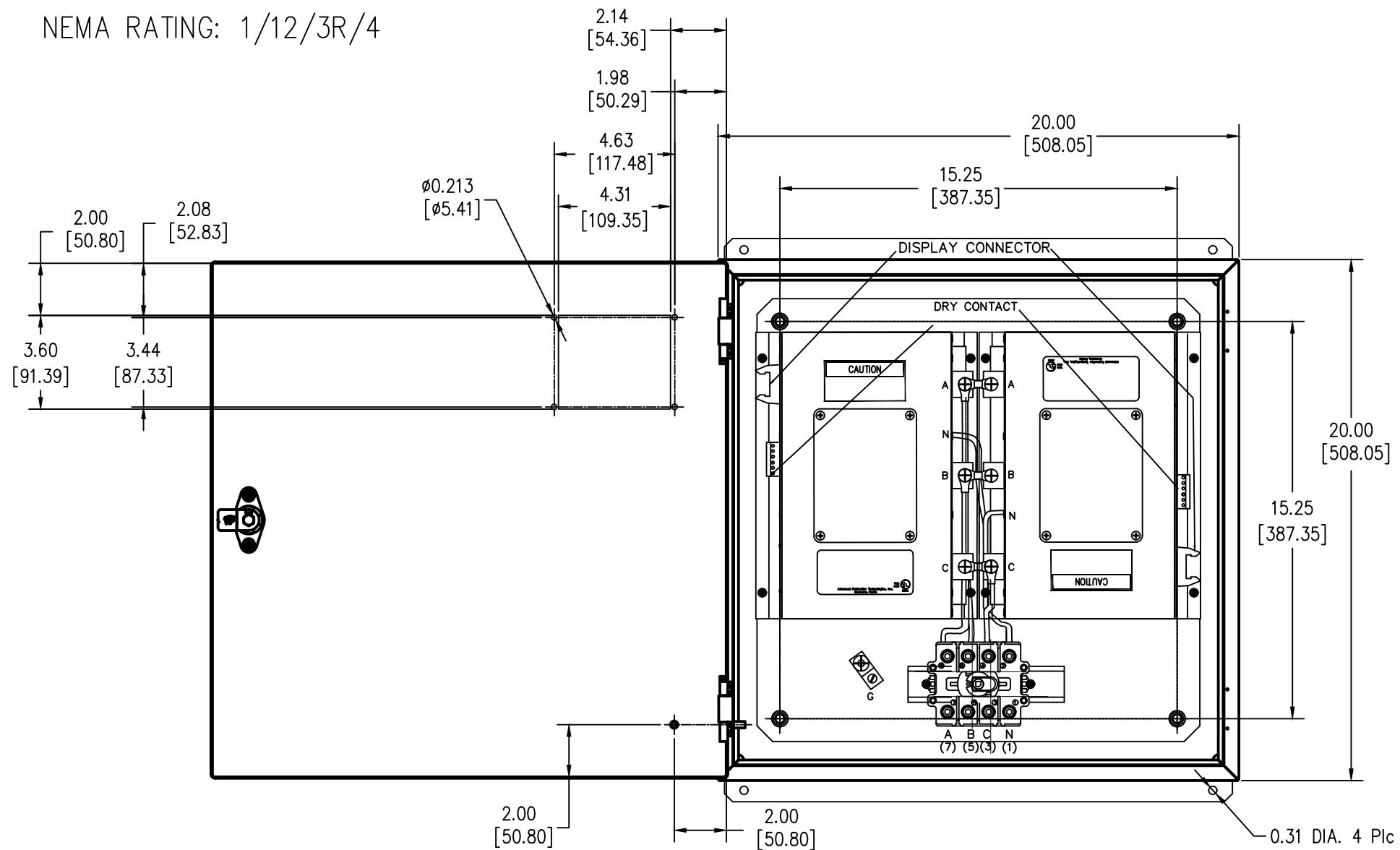
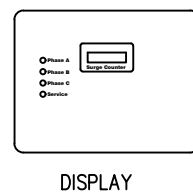


SURGE PROTECTIVE DEVICE (SPD)
WEIGHTS & DIMENSIONS
NEMA RATING: 1/12/3R/4



ENCLOSURE SPECS.
DESC: ENCLOSURE, HINGED
DIM: 20"H x 20"W x 8"D
FINISH: POWDERCOAT ANSI 61 GRAY
MAT: CARBON STEEL, 14 GAUGE
NEMA RATING: 1/12/3R/4
DEVICE WEIGHT: 51.95LBS. (23.56KG.)

4-5-10	Date	Unless otherwise specified dimensions are in inches. Tolerances are non-cumulative and are as follows unless specified otherwise. .XXX ± .020 .XXX ± .005 Angular ± 2° Do not scale drawing		Confidential - Property of Siemens Industry, Inc. Building Technologies Division
C.N.	Date	DRAWN H. DRIGGERS 8/17/09 ENGINEER M.JG 8/17/09 APPROVAL		
Rev	C.N.	TPS3-15 SERIES 400k-1k w/ DS NEMA RATING: 1/12/3R/4		DWG NO. SIE_DW_TPS3151KDS-123R SCALE NONE SHEET 1 of 1
-	Rev	- Denotes latest changes. - Critical dimension.		