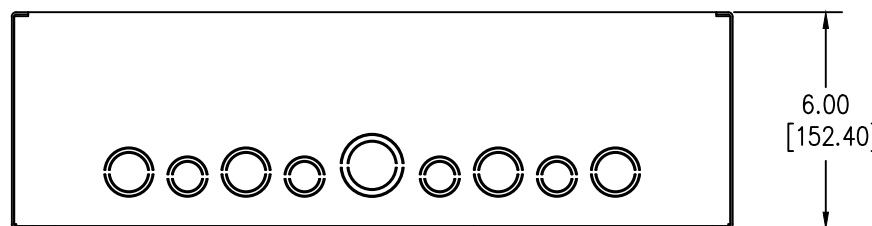
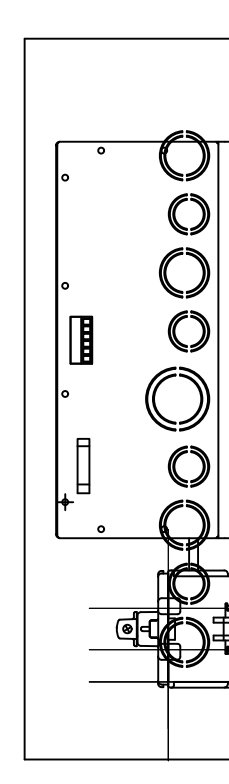
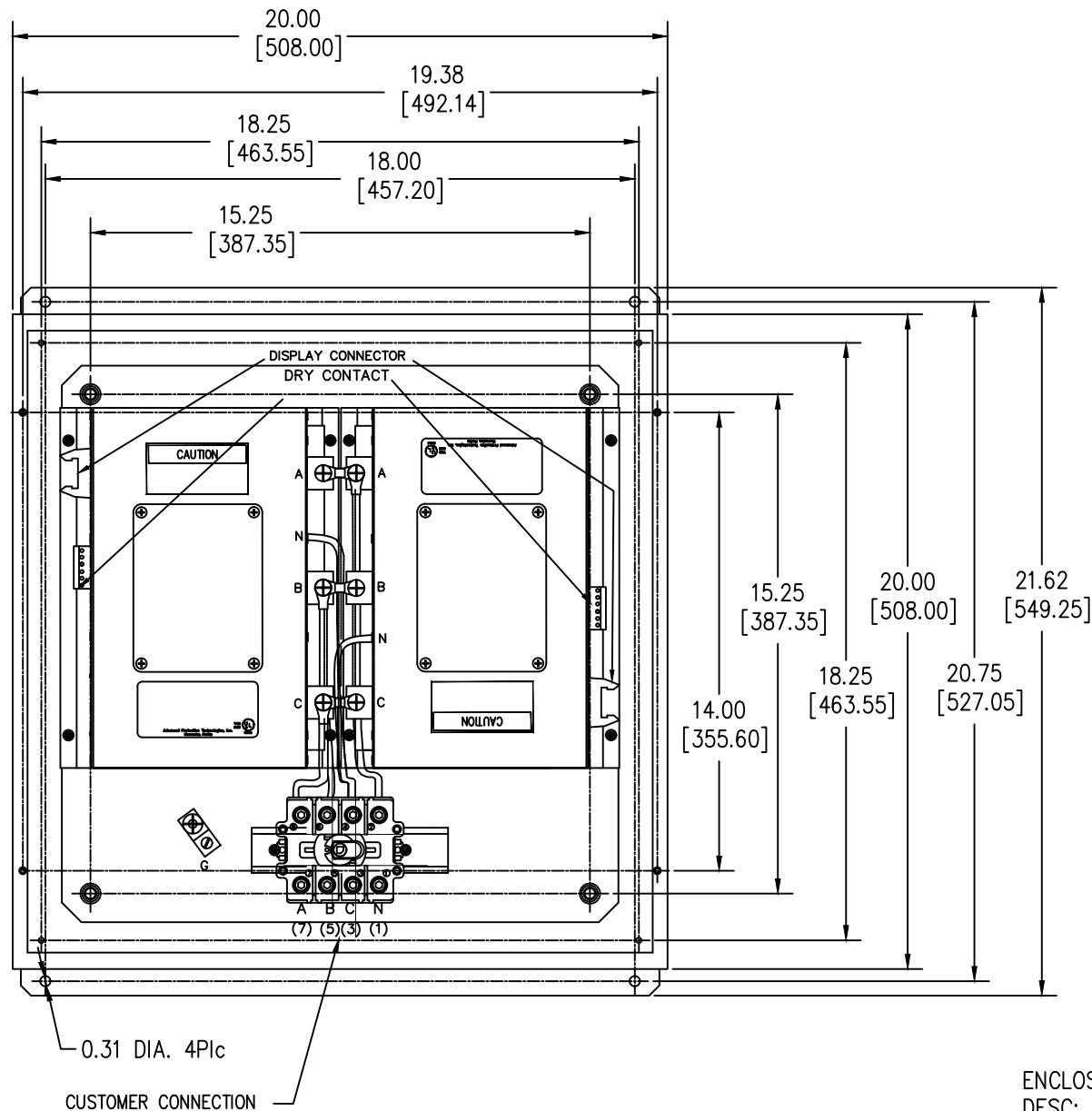
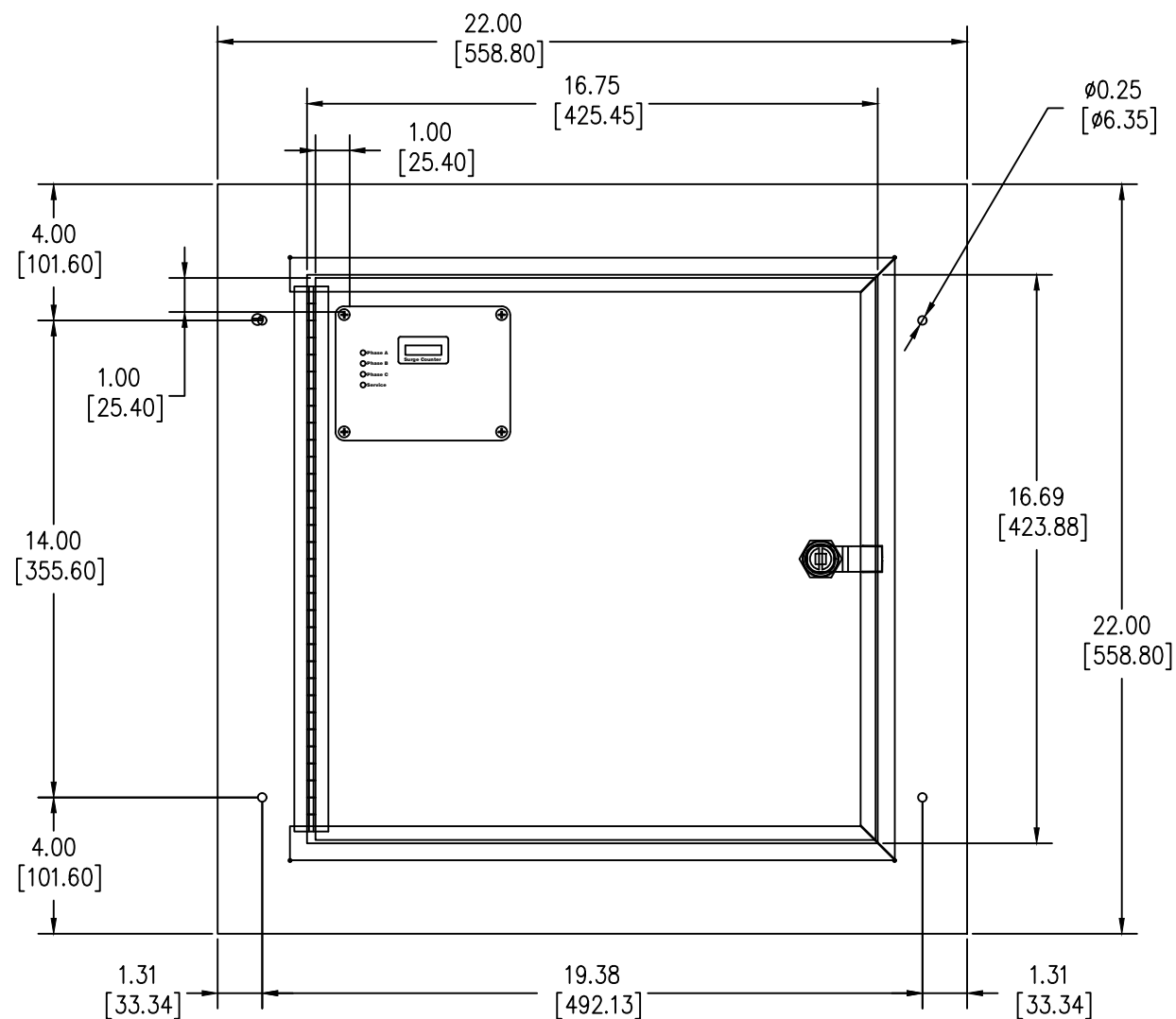


SURGE PROTECTIVE DEVICE (SPD)
WEIGHTS & DIMENSIONS
NEMA RATING: 1 FLUSHMOUNT



ENCLOSURE SPECS.
 DESC: ENCLOSURE, FLUSHMOUNT PULLBOX
 DIM: 20"H x 20"W x 6"D
 MAT: CARBON STEEL, 16 GAUGE
 FINISH: POWDERCOAT ANSI 61 GRAY
 NEMA RATING: 1
 DEVICE WEIGHT: 53.30LBS. (24.17KG.)

3-26-10	Date	Unless otherwise specified dimensions are in inches. Tolerances are non-cumulative and are as follows unless specified otherwise. .XX ± .020 .XXX ± .005 Angular ± 2° Do not scale drawing		Confidential - Property of Siemens Industry, Inc. Building Technologies Division
C.N.	Date	DRAWN H. DRIGGERS 8/17/09	TPS3-15 SERIES 400k-1000k w/ DS FLUSHMOUNT NEMA: 1	
Rev	Denotes latest changes.	ENGINEER M.JG 8/17/09	APPROVAL	DWG NO. SIE_DW_TPS315100DS-FM1
1	Critical dimension.			SCALE NONE SHEET 1 of 1