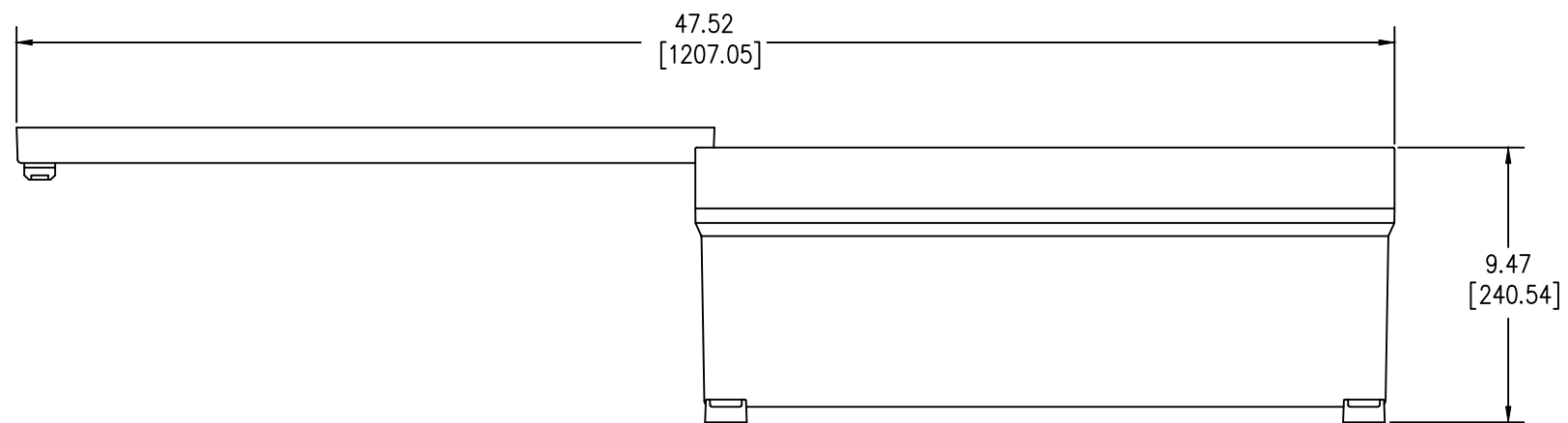
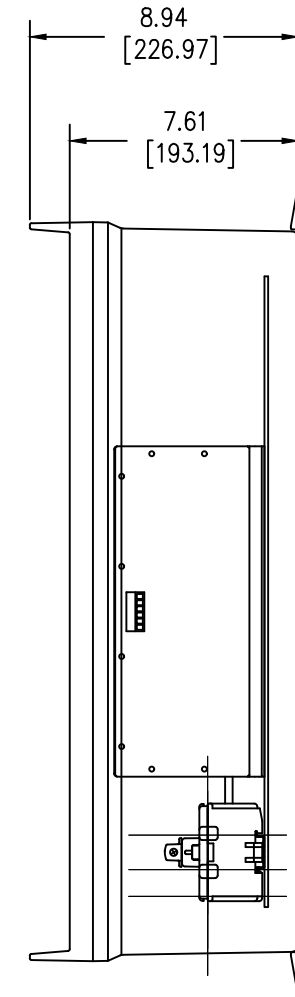
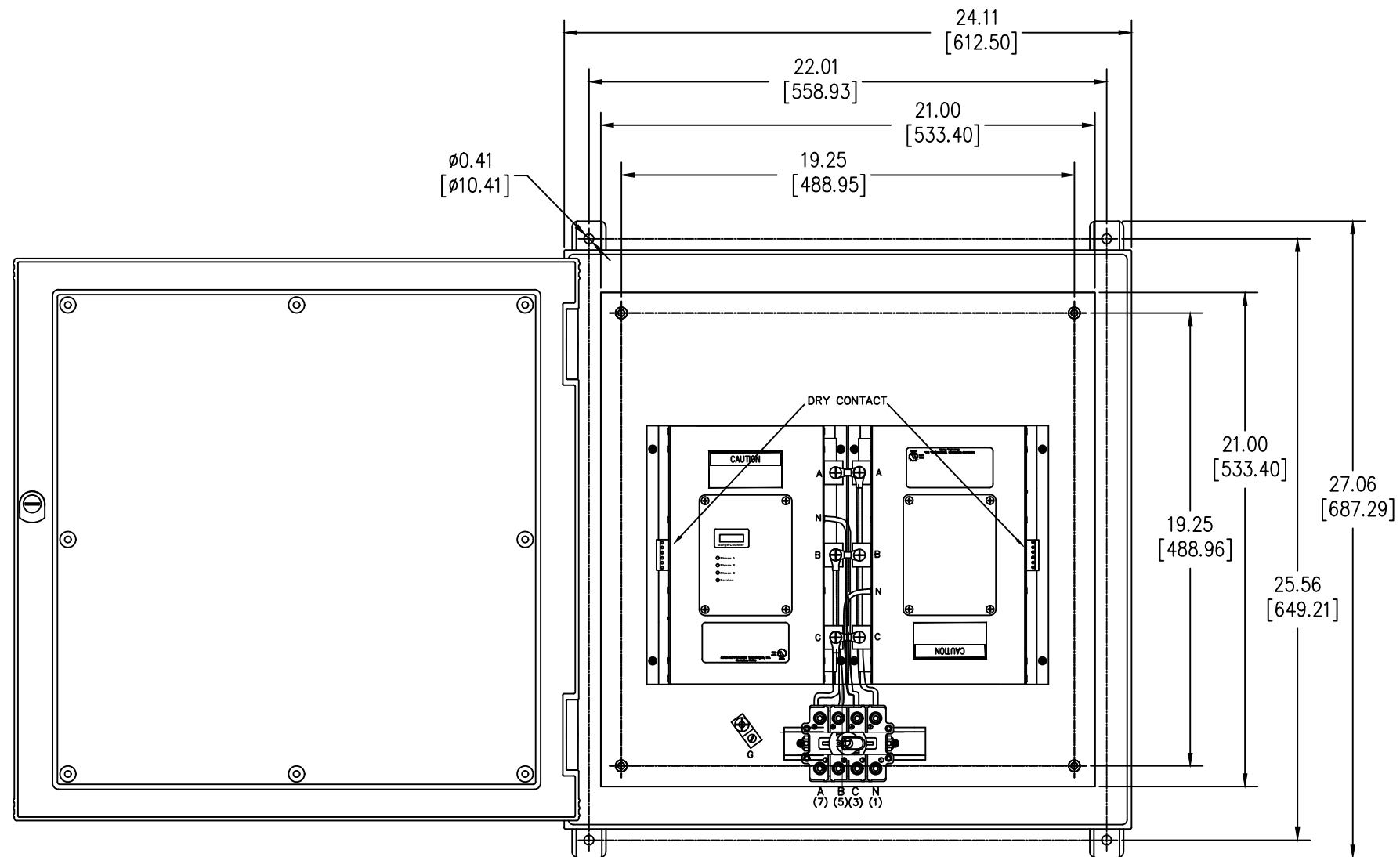


SURGE PROTECTIVE DEVICE (SPD)
WEIGHTS & DIMENSIONS NEMA
RATING: 4X NON METALLIC



ENCLOSURE SPECS.
DESC: NON-METALLIC ENCLOSURE, HINGED
DIM: 24"H x 24"W x 9.5"D
MAT: POLYCARBONATE
FINISH: GRAY
NEMA RATING: 4X
DEVICE WEIGHT: 51.80LBS. (23.49KG.)

3-26-10	Date	Unless otherwise specified dimensions are in inches. Tolerances are non-cumulative and are as follows unless specified otherwise. .XX ± .020 .XXX ± .005 Angular ± 2° Do not scale drawing	Confidential - Property of Siemens Industry, Inc. Building Technologies Division	
C.N.	DRAWN H. DRIGGERS 8/17/09 ENGINEER MJG 8/17/09 APPROVAL			TPS3-15 SERIES 400k-1000k w/ DS NEMA RATING: 4X
Rev	DWG NO. SIE_DW_TPS315100DS-4X SCALE NONE SHEET 1 of 1			REV -