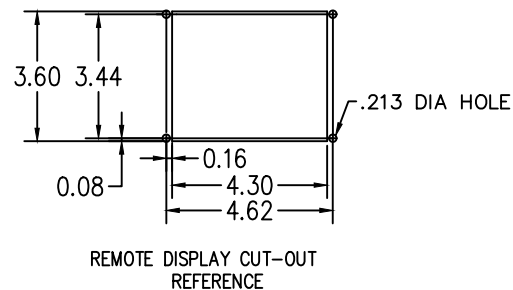
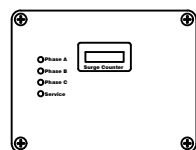
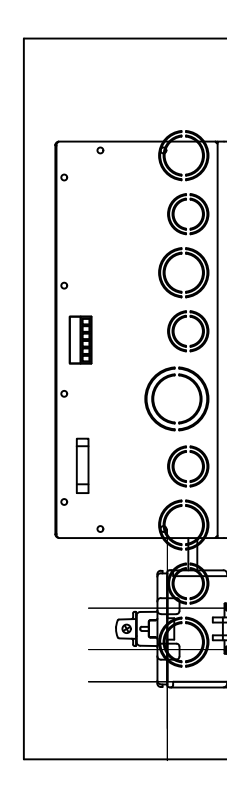
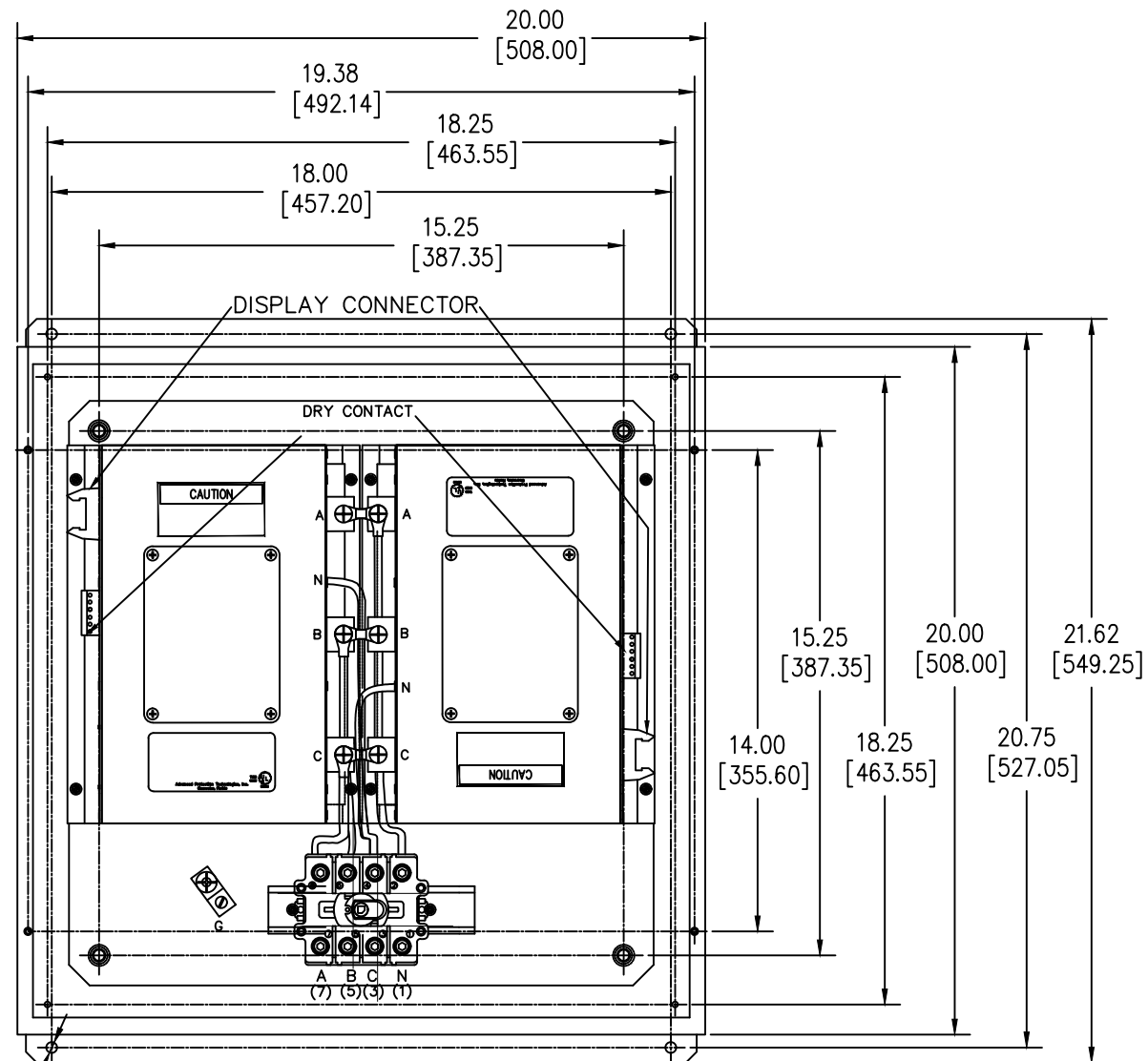
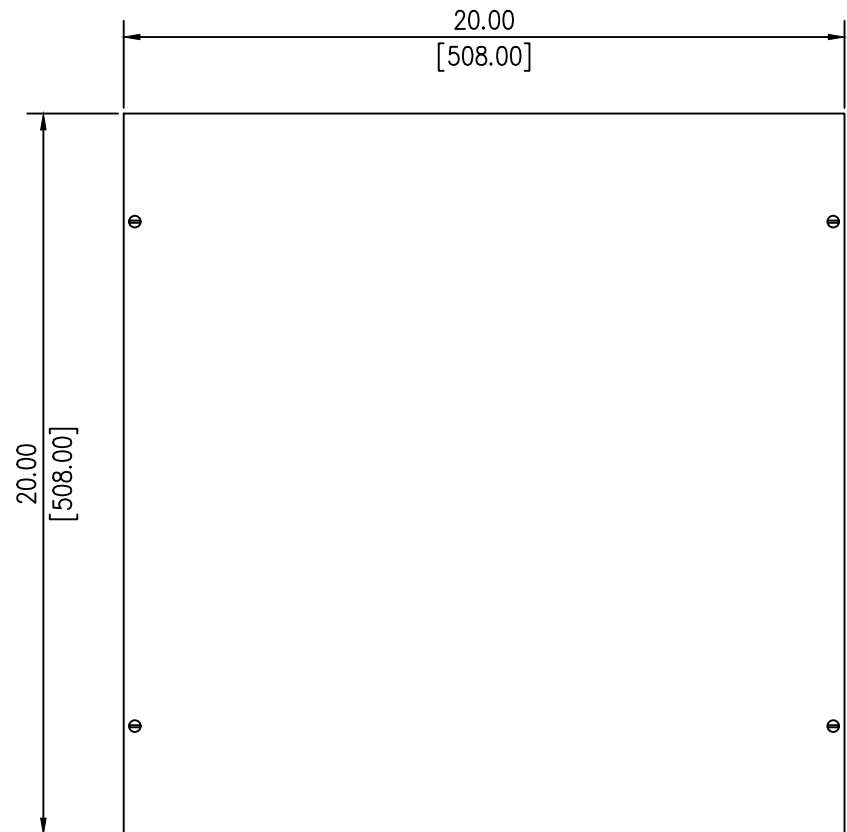
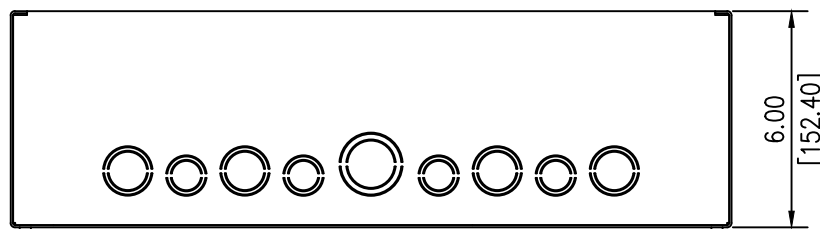


SURGE PROTECTIVE DEVICE (SPD)
WEIGHTS & DIMENSIONS
NEMA RATING: 1



Ø0.31 [Ø7.95]



ENCLOSURE SPECS.
DESC: ENCLOSURE, SCREWCOVER PULLBOX
DIM: 20"H x 20"W x 6"D
MAT: CARBON STEEL, 16 GAUGE
FINISH: POWDERCOAT ANSI 61 GRAY
NEMA RATING: 1
DEVICE WEIGHT: 42.70LBS. (19.36KG.)

3-26-10	Date	Unless otherwise specified dimensions are in inches. Tolerances are non-cumulative and are as follows unless specified otherwise. .XX ± .020 .XXX ± .005 Angular ± 2° Do not scale drawing	Confidential - Property of Siemens Industry, Inc. Building Technologies Division
	C.N.	DRAWN H. DRIGGERS 8/17/09 ENGINEER M.JG 8/17/09 APPROVAL	TPS3-15 SERIES 400k-1000k w/ DS NEMA RATING: 1
1	Rev	Δ - Denotes latest changes. □ - Critical dimension.	DWG NO. SIE_DW_TPS315100DS-1 SCALE NONE SHEET 1 of 1