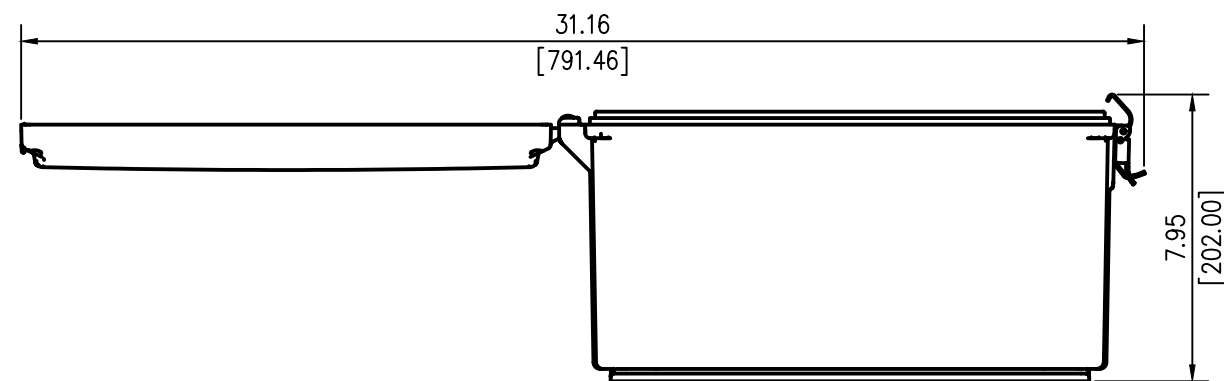
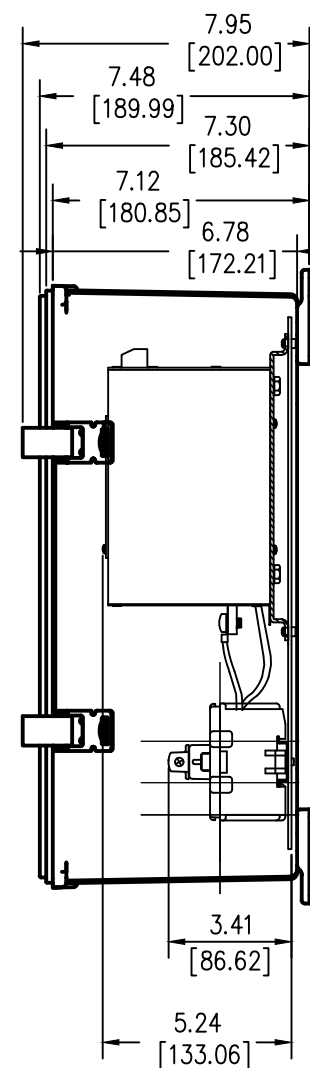
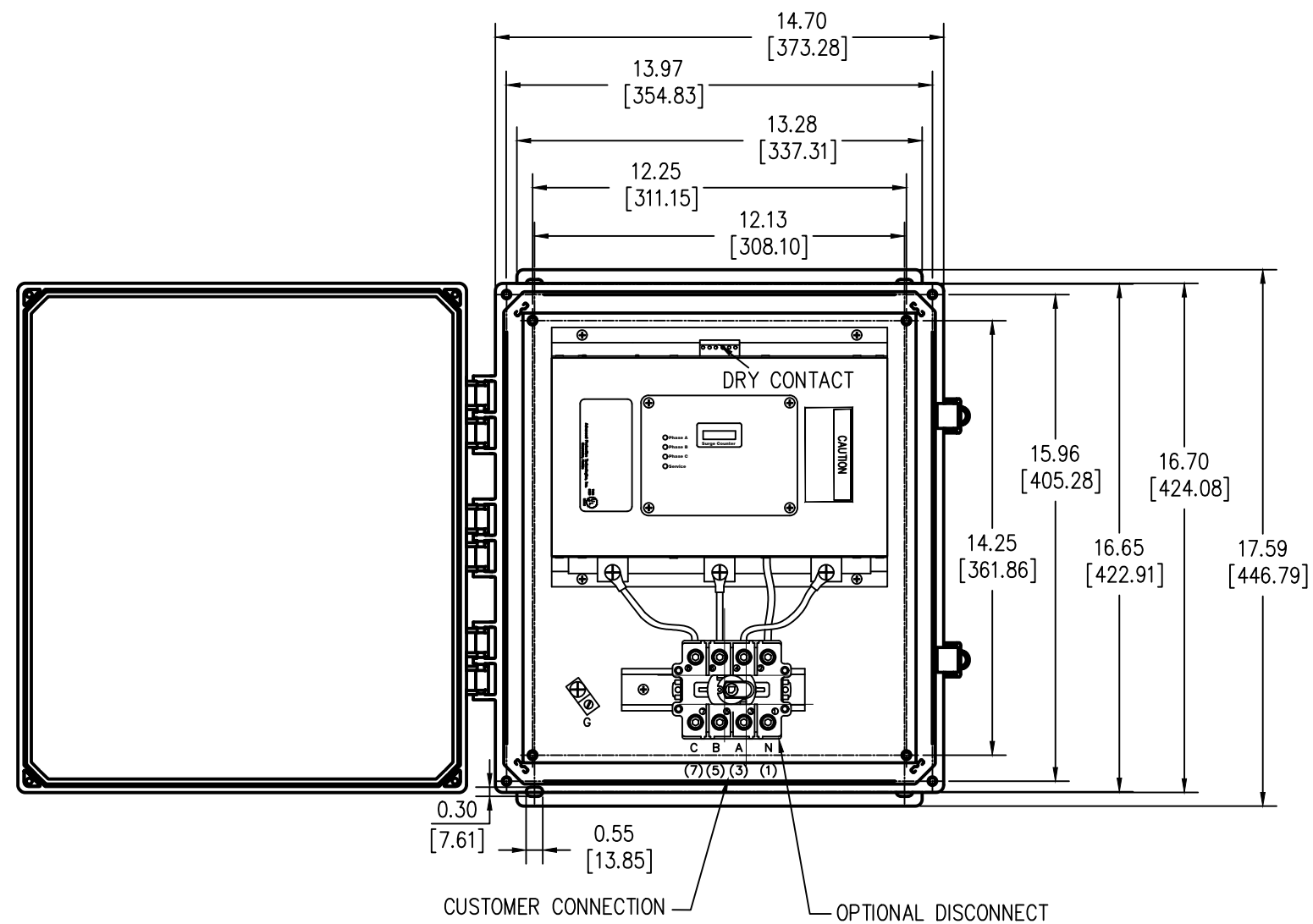


SURGE PROTECTIVE DEVICE (SPD)
WEIGHTS & DIMENSIONS
NEMA RATING: 4X NON-METALLIC



ENCLOSURE SPECS.
DESC: NON-METALLIC ENCLOSURE, HINGED
DIM: 16"H x 14"W x 7"D
MAT: POLYCARBONATE
FINISH: GRAY
NEMA RATING: 4X
DEVICE WEIGHT: 20.60LBS. (9.34KG.)

3-26-10	Date	Unless otherwise specified dimensions are in inches. Tolerances are non-cumulative and are as follows unless specified otherwise. .XX ± .020 .XXX ± .005 Angular ± 2' Do not scale drawing		Confidential - Property of Siemens Industry, Inc. Building Technologies Division
	C.N.	H. DRIGGERS	8/17/09	
	Rev	ENGINEER	MJG	8/17/09
		APPROVAL		
				TPS3-12 SERIES 400k-500k w/ DS NEMA RATING: 4X
		DWG NO.	SIE_DW_TPS31250DS-4X	REV -
		SCALE	NONE	SHEET 1 of 1