

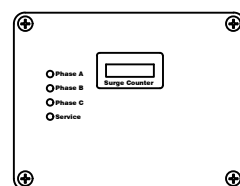
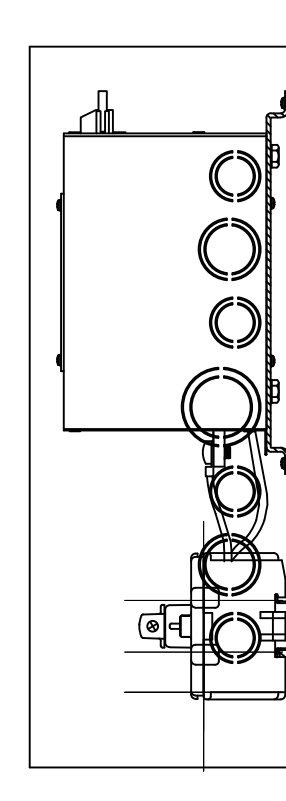
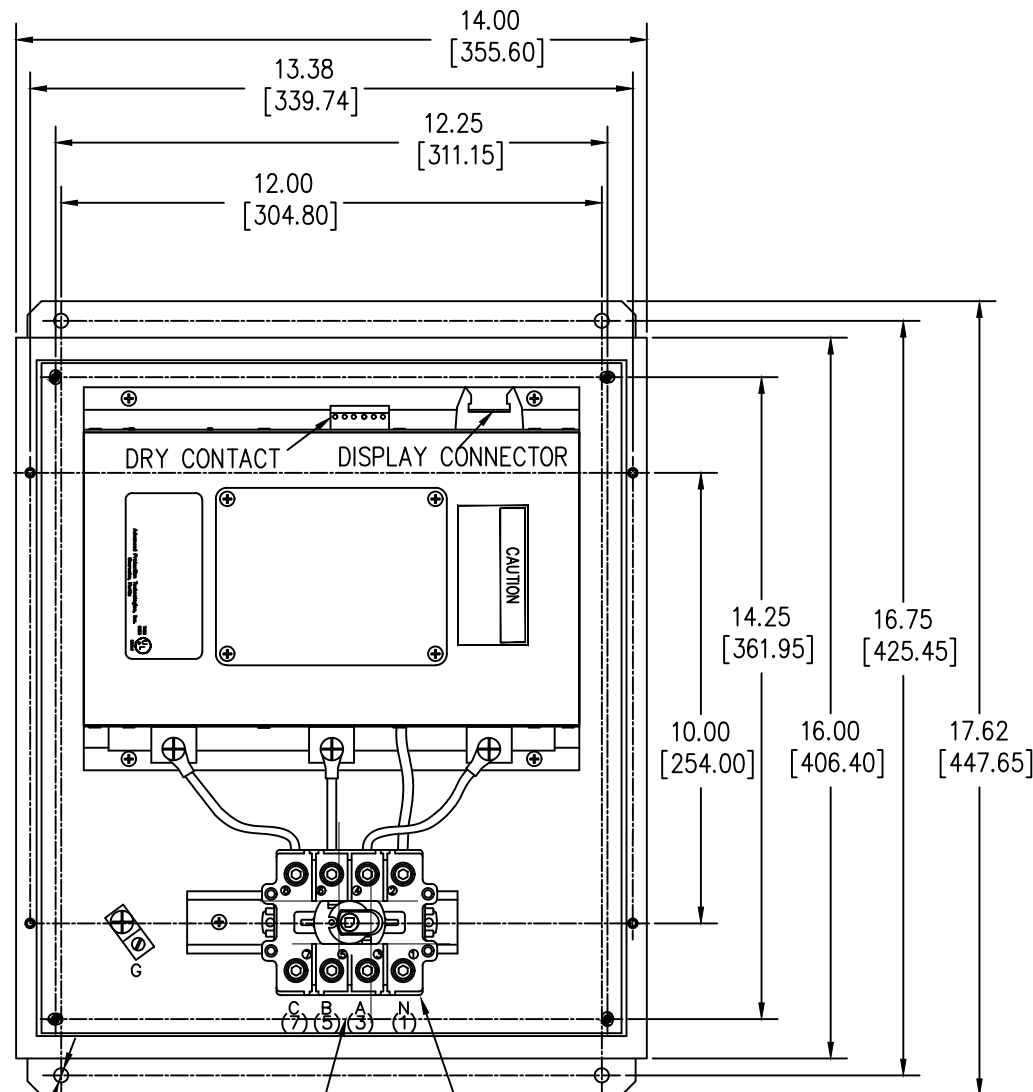
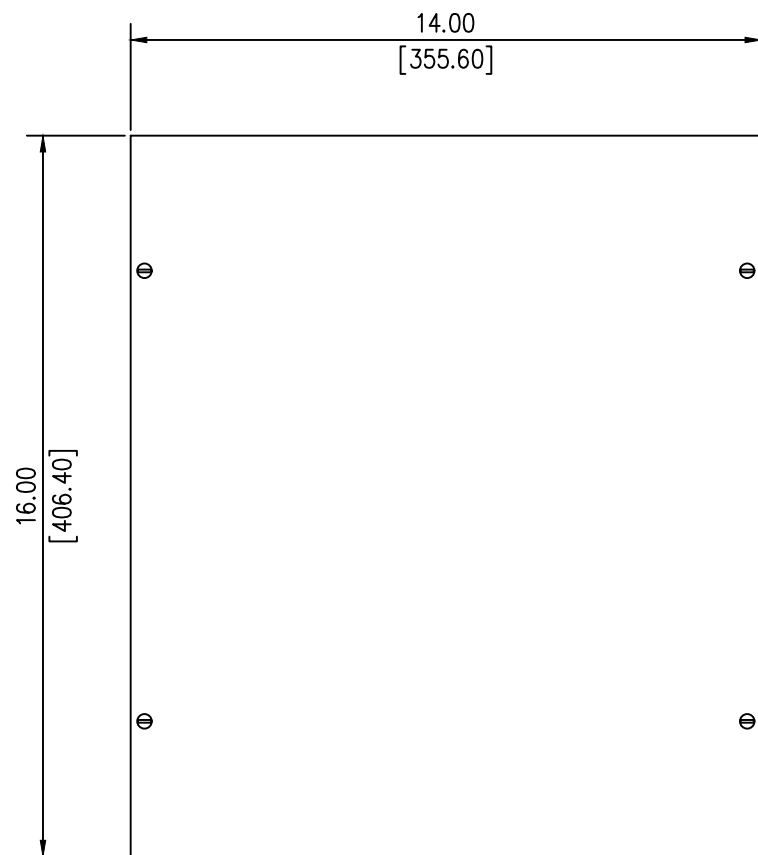
Rev -

Sht 1

Dwg. No. SIE_DW_TPS31250DS-1

BORDERD Autocad filename: SIE_DW_TPS31250DS-1

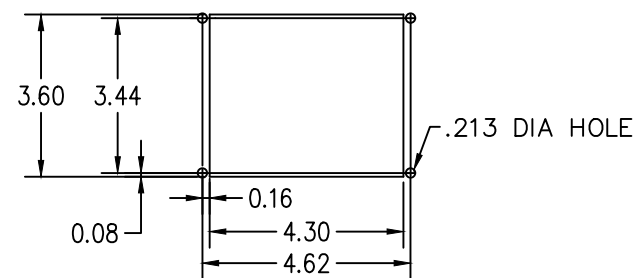
SURGE PROTECTIVE DEVICE (SPD) WEIGHTS & DIMENSIONS NEMA RATING: 1



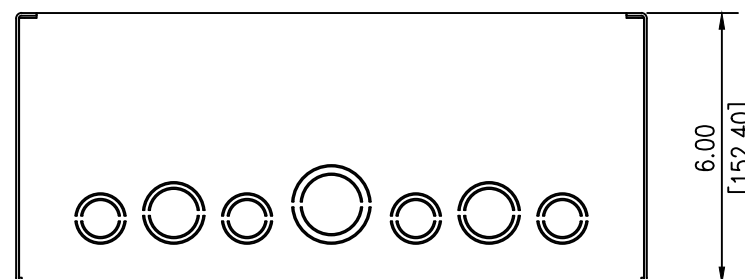
0.31 DIA. 4Plc

CUSTOMER CONNECTION

OPTIONAL DISCONNECT



REMOTE DISPLAY CUT-OUT
REFERENCE



ENCLOSURE SPECS.
DESC: ENCLOSURE, SCREWCOVER PULLBOX
DIM: 16"H x 14"W x 6"D
MAT: CARBON STEEL, 16 GAUGE
FINISH: POWDERCOAT ANSI 61 GRAY
NEMA RATING: 1
DEVICE WEIGHT: 22.25LBS. (10.09KG.)

| | | | | |
|---------|------|--|--------------------------|---|
| 3-26-10 | Date | Unless otherwise specified dimensions are in inches. Tolerances are non-cumulative and are as follows unless specified otherwise. .XX ± .020 .XXX ± .005 Angular ± 2° Do not scale drawing | | Confidential - Property of Siemens Industry, Inc. Building Technologies Division |
| Rev | C.N. | DRAWN H. DRIGGERS 8/17/09 | ENGINEER M.JG 8/17/09 | |
| 1 | 1 | APPROVAL | | TPS3-12 SERIES 400k-500k w/ DS NEMA RATING: 1 |
| | | DWG NO. SIE_DW_TPS31250DS-1 | | REV - |
| | | SCALE NONE | | SHEET 1 of 1 |