

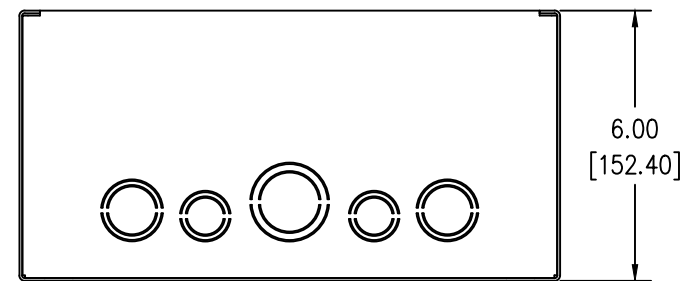
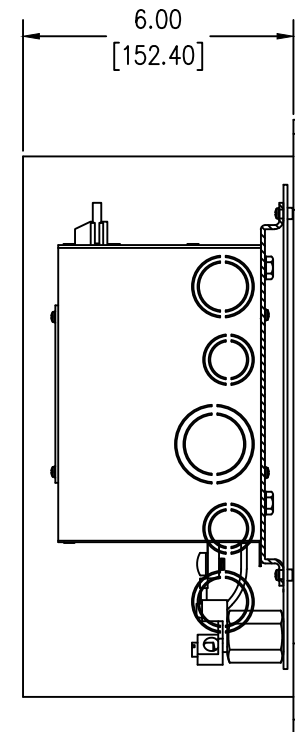
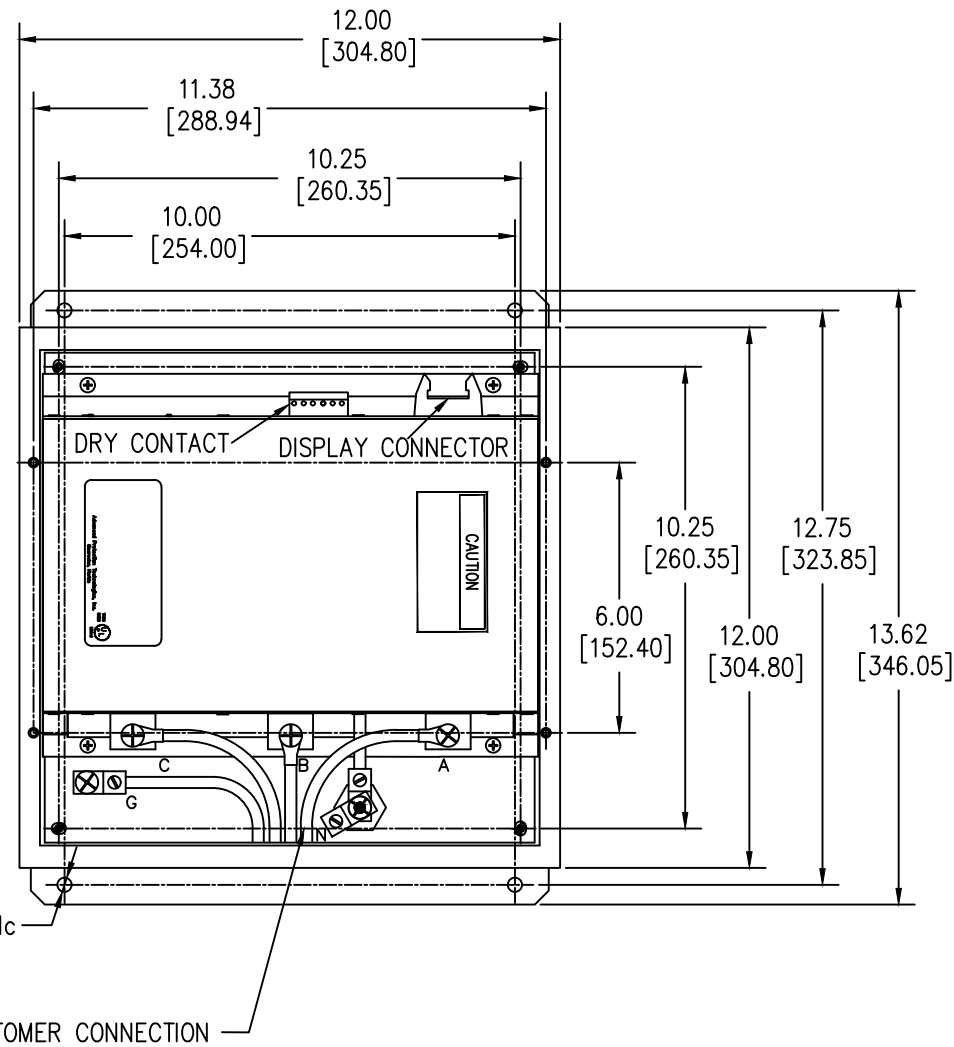
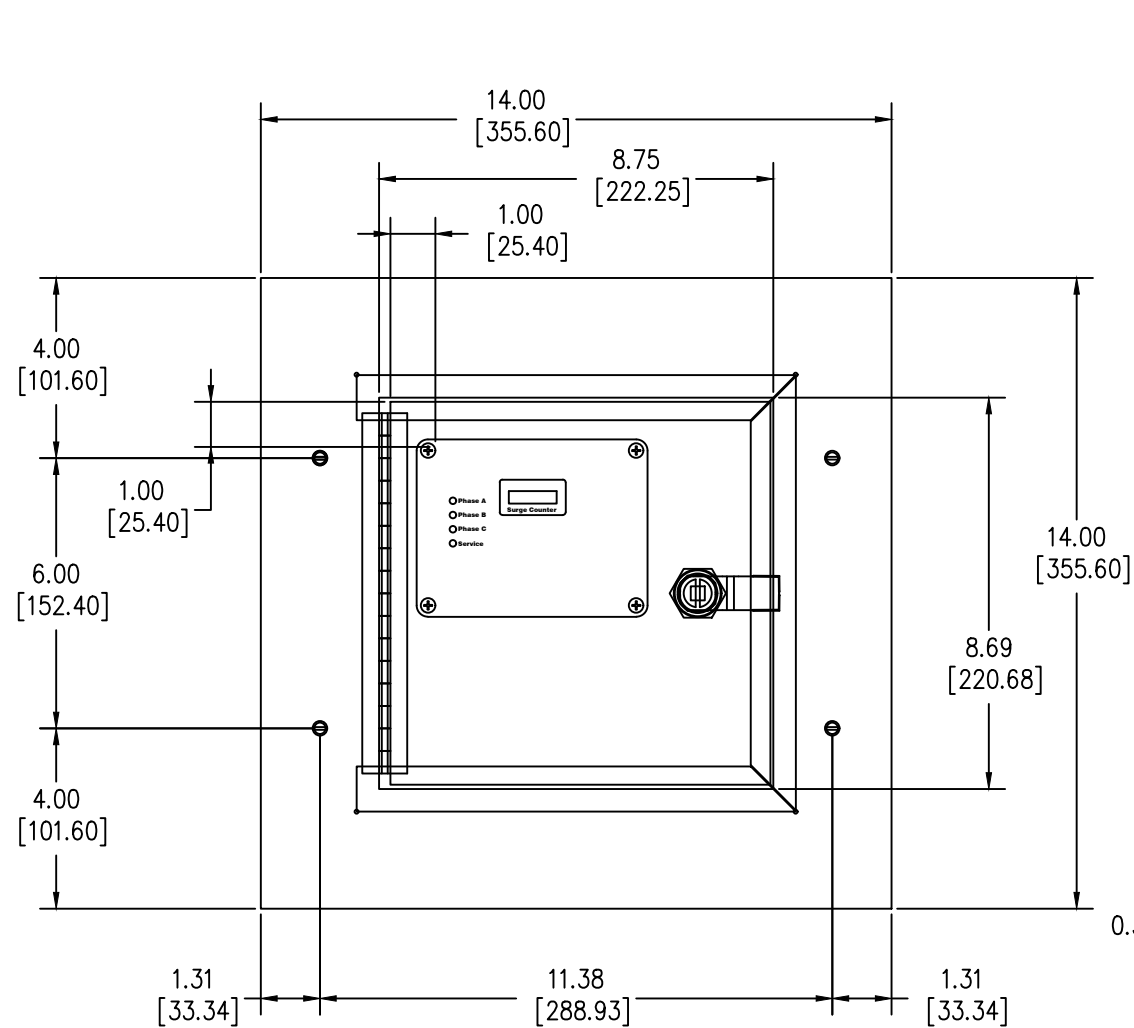
Rev -

Sht 1

Dwg. No. SIE_DW_TPS31250-FM1

BORDERD Autocad filename: SIE_DW_TPS31250-FM1

SURGE PROTECTIVE DEVICE (SPD) WEIGHTS & DIMENSIONS NEMA RATING: 1 FLUSHMOUNT



ENCLOSURE SPECS.
 DESC: ENCLOSURE, FLUSHMOUNT PULLBOX
 DIM: 12"H x 12"W x 6"D
 MAT: CARBON STEEL, 16 GAUGE
 FINISH: POWDERCOAT ANSI 61 GRAY
 NEMA RATING: 1
 DEVICE WEIGHT: 21.10LBS. (9.57KG.)

Rev	Date	C.N.	Date
1			

△ - Denotes latest changes.
 □ - Critical dimension.

Unless otherwise specified dimensions are in inches. Tolerances are non-cumulative and are as follows unless specified otherwise.
 .XX ± .020
 .XXX ± .005
 Angular ± 2°
 Do not scale drawing

DRAWN: H. DRIGGERS 8/17/09
 ENGINEER: M.JG 8/17/09
 APPROVAL:

Confidential - Property of Siemens Industry, Inc.
 Building Technologies Division

TPS3-12 SERIES
 400k-500k w/o DS
 FLUSHMOUNT NEMA: 1

DWG NO. SIE_DW_TPS31250-FM1
 SCALE: NONE SHEET 1 of 1