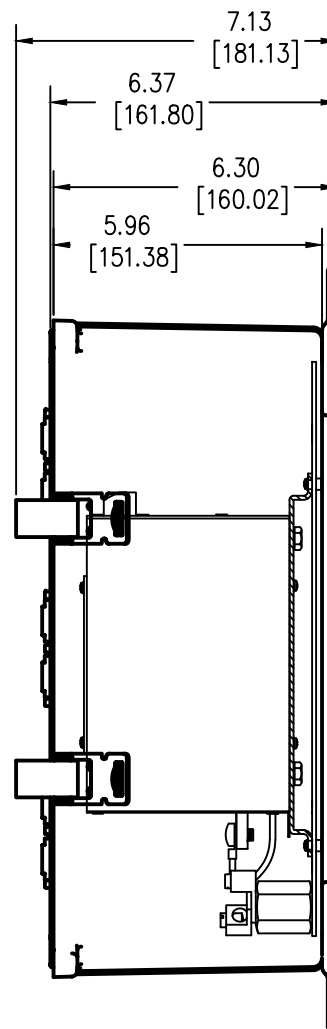
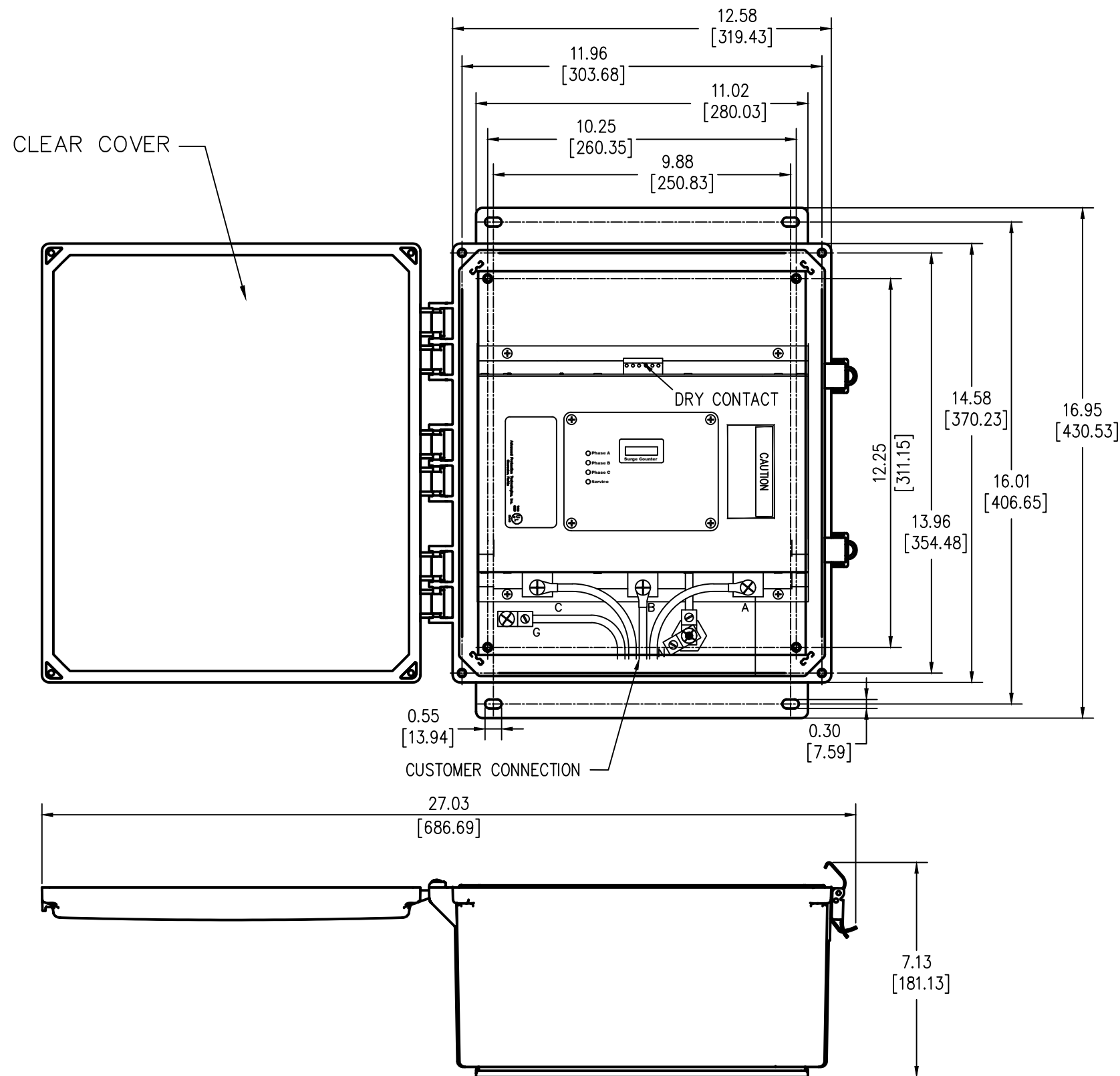


SURGE PROTECTIVE DEVICE (SPD)  
WEIGHTS & DIMENSIONS  
NEMA RATING: 4X NON-METALLIC



ENCLOSURE SPECS.  
DESC: NON-METALLIC ENCLOSURE, HINGED  
DIM: 14"H x 12"W x 7"D  
MAT: POLYCARBONATE  
FINISH: GRAY  
NEMA RATING: 4X  
DEVICE WEIGHT: 14.40LBS. (6.53KG.)

Date	Unless otherwise specified dimensions are in inches. Tolerances are non-cumulative and are as follows unless specified otherwise.		Confidential - Property of Siemens Industry, Inc. Building Technologies Division
	.XX	± .020	
C.N.	.XXX	± .005	TPS3-12 SERIES 400k-500k w/o DS NEMA RATING: 4X
	Angular	± 2'	
Rev	Do not scale drawing		DWG NO. SIE_DW_TPS31250-4X SCALE NONE
	DRAWN H. DRIGGERS 8/17/09 ENGINEER M.JG 8/17/09 APPROVAL		
△ - Denotes latest changes. □ - Critical dimension.			REV - SHEET 1 of 1